

ASSEMBLY INSTRUCTION

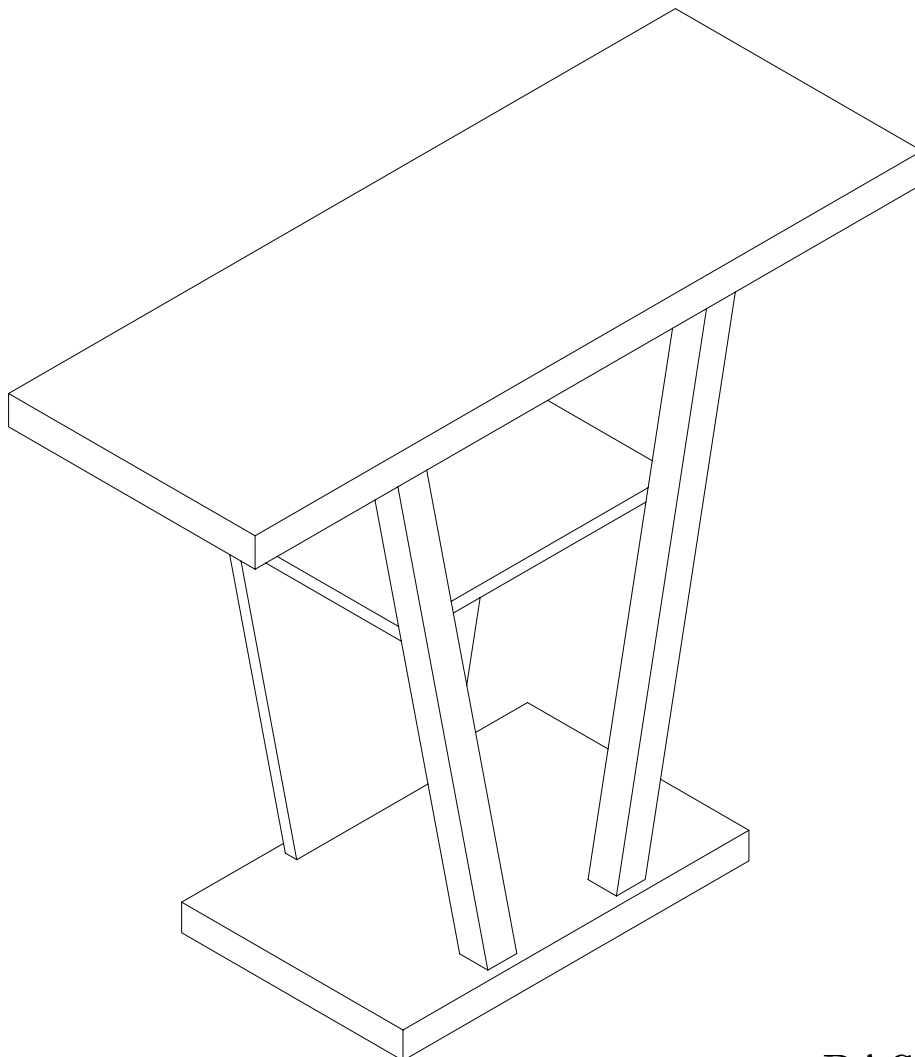
PLEASE READ BEFORE ASSEMBLING!

Tip #1: Make sure you've taken all the pieces and hardware out of its packaging before discarding the box.

Tip #2: Using page 2 and/or page 3 of instruction manual make sure all pieces and hardware are accounted for.

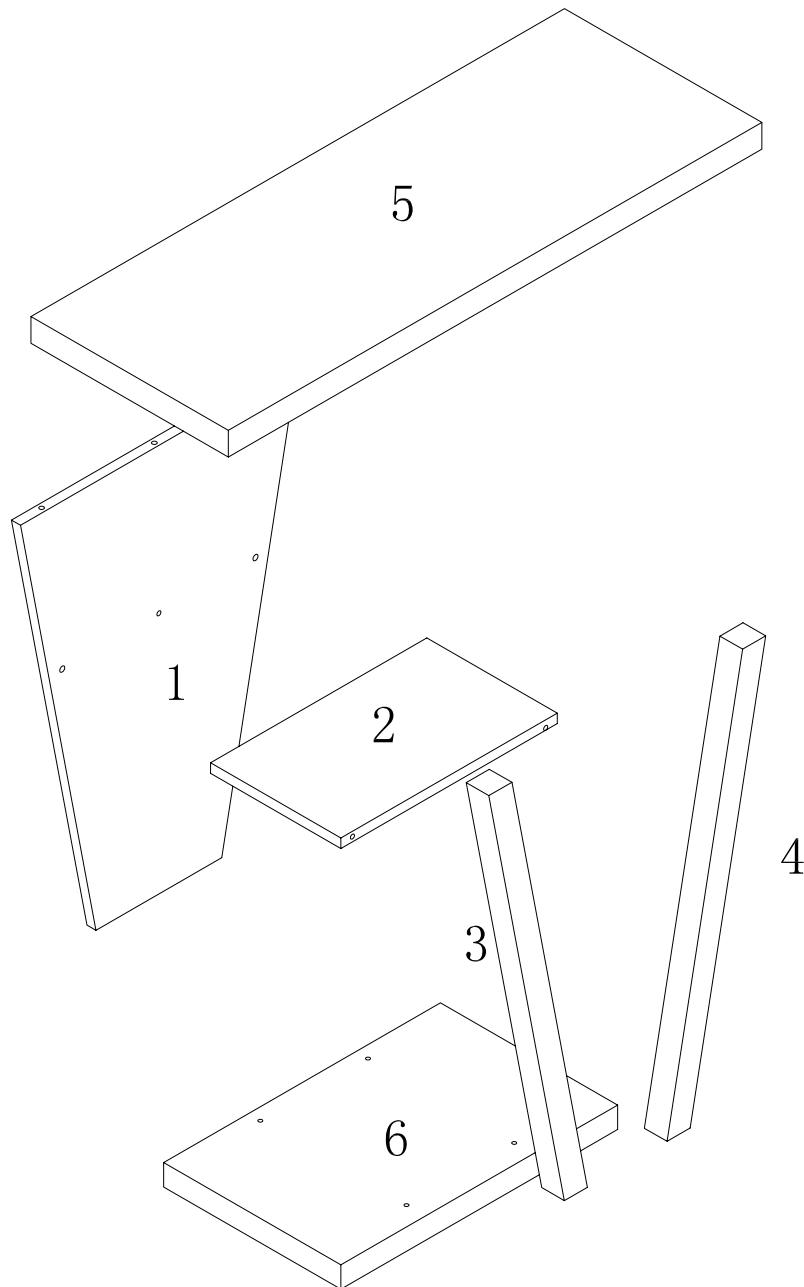
Tip #3: Read manual before assembling, it helps!

ITEM#: 29309



PARTS IDENTIFICATION


ITEM#: 29309



- | | |
|-----|-----|
| (1) | 1pc |
| (2) | 1pc |
| (3) | 1pc |
| (4) | 1pc |
| (5) | 1pc |

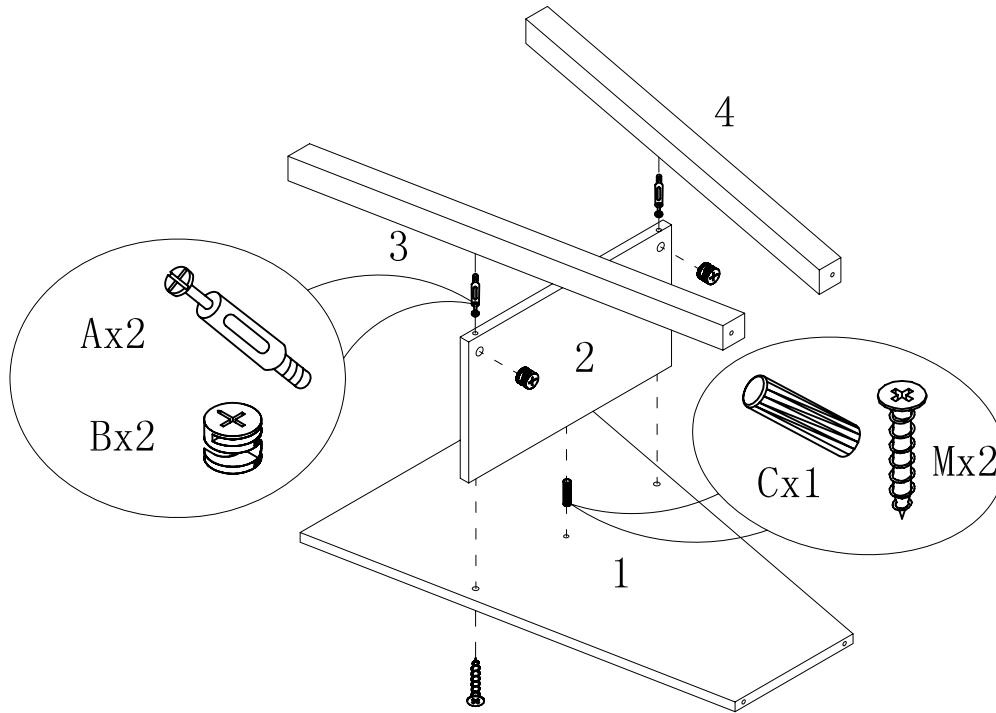
HARDWARE IDENTIFICATION

ITEM#: 29309

A		L29	4pcs
B		Φ 15	4pcs
C		Φ 8x25	3pcs
D		Φ 8	2pcs
E		Φ 8x70	2pcs
F		Φ 6x65	2pcs
G		Φ 10.5x30	2pcs
H		M4	1pc
I		Φ 38	2pcs
J		Φ 15	2pcs
K		Φ 14	1pc
L		Φ 7x58	2pcs
M		Φ 4x40	2pcs
N		It's used for stick the stopper to the connecting hole firmly	1pc

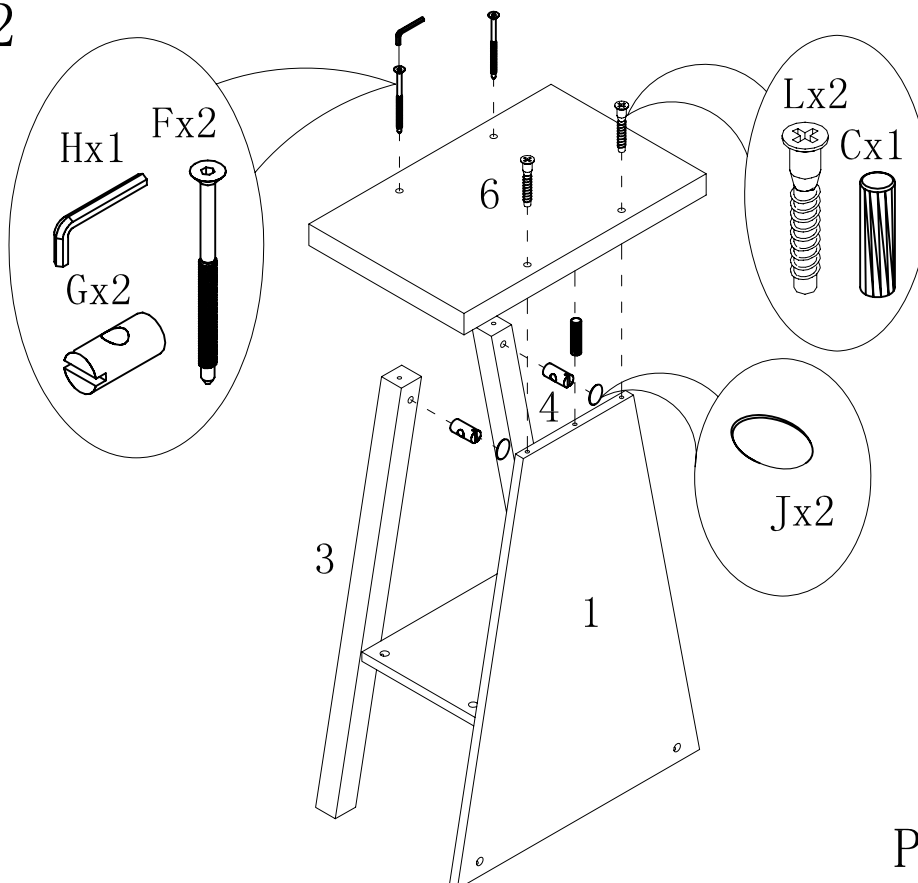
ASSEMBLY INSTRUCTION

ITEM#: 29309



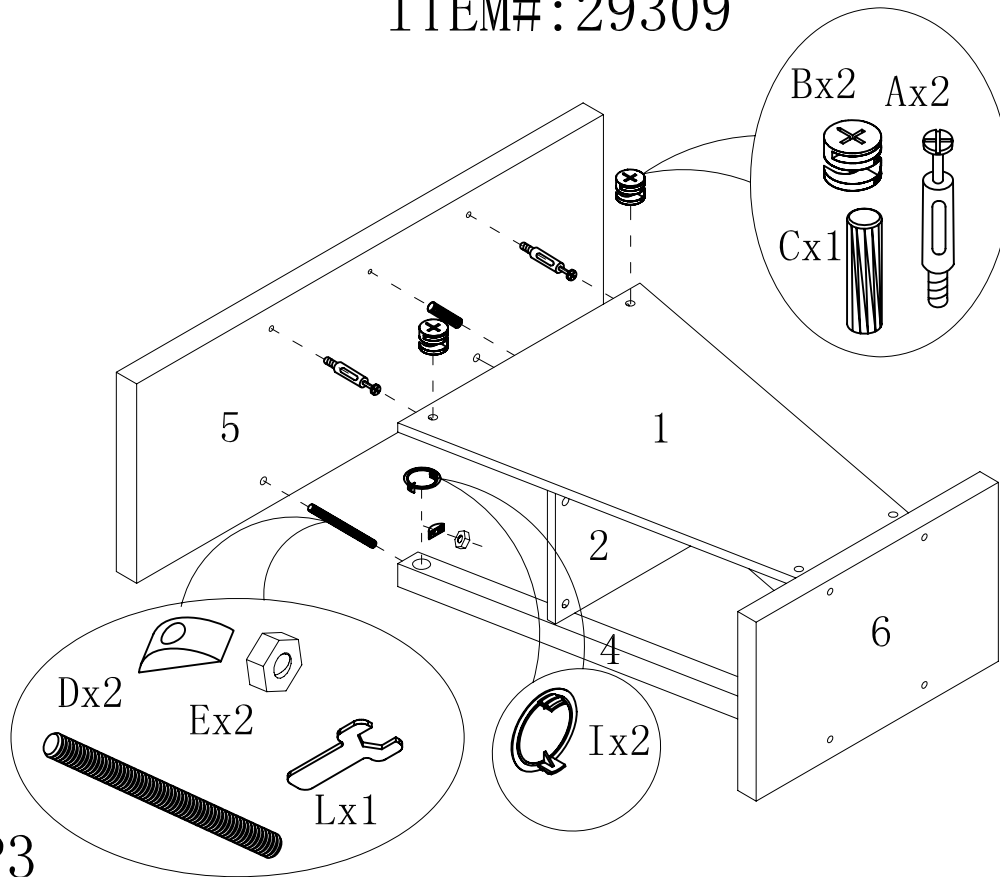
STEP 1

STEP 2



ASSEMBLY INSTRUCTION

ITEM#: 29309



STEP3

STEP4

