

ASSEMBLY INSTRUCTION

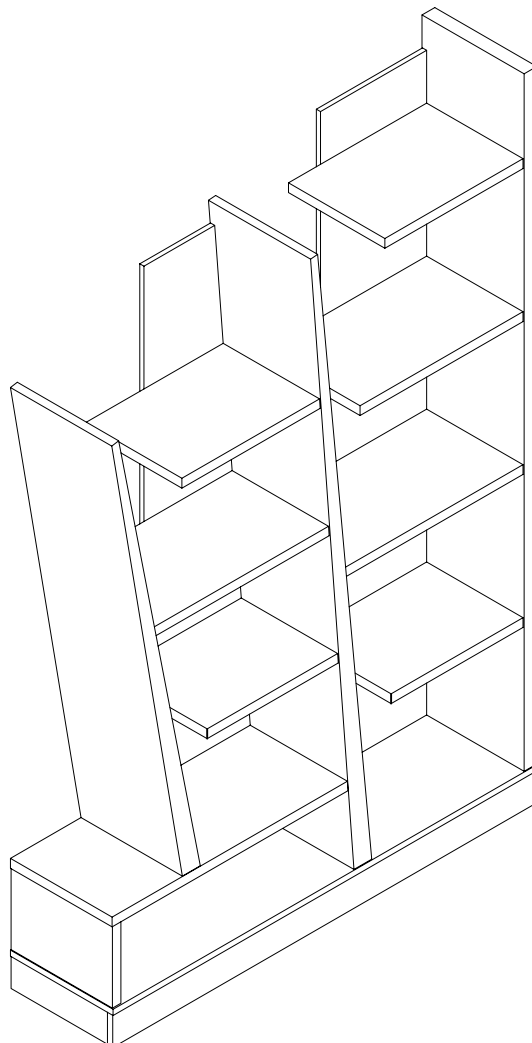
PLEASE READ BEFORE ASSEMBLING!

Tip #1: Make sure you've taken all the pieces and hardware out of its packaging before discarding the box.

Tip #2: Using page 2 and/or page 3 of instruction manual make sure all pieces and hardware are accounted for.

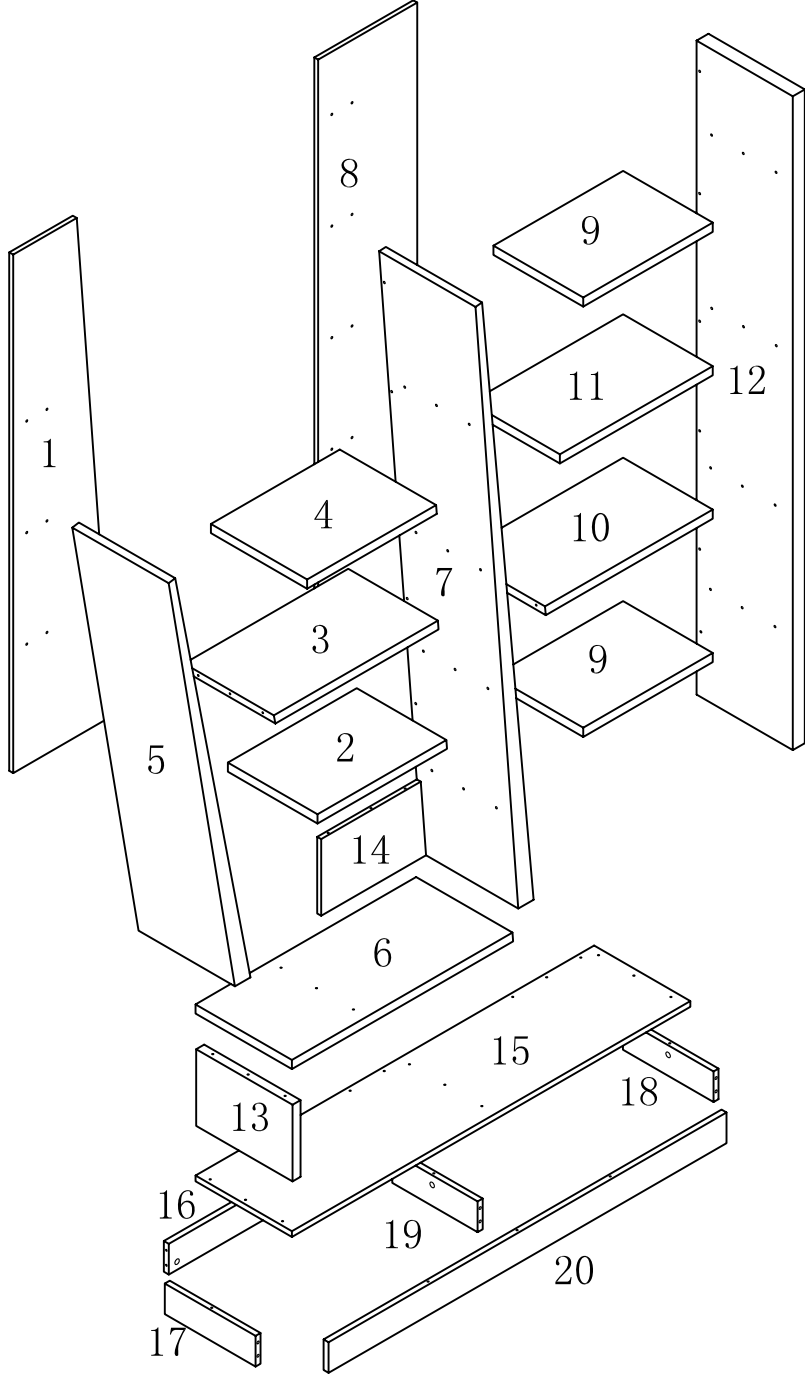
Tip #3: Read manual before assembling, it helps!

ITEM#: 10360



PARTS IDENTIFICATION

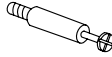

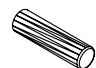
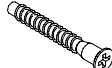
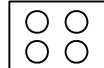


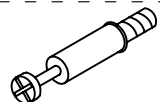

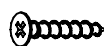
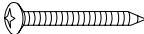
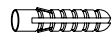


ITEM#: 10360



| | | | | | | | | | |
|-----|-----|------|------|------|-----|------|-----|------|-----|
| (1) | 1pc | (6) | 1pc | (11) | 1pc | (16) | 1pc | (19) | 1pc |
| (2) | 1pc | (7) | 1pc | (12) | 1pc | (17) | 1pc | (20) | 1pc |
| (3) | 1pc | (8) | 1pc | (13) | 1pc | (18) | 1pc | | |
| (4) | 1pc | (9) | 2pcs | (14) | 1pc | | | | |
| (5) | 1pc | (10) | 1pc | (15) | 1pc | | | | |

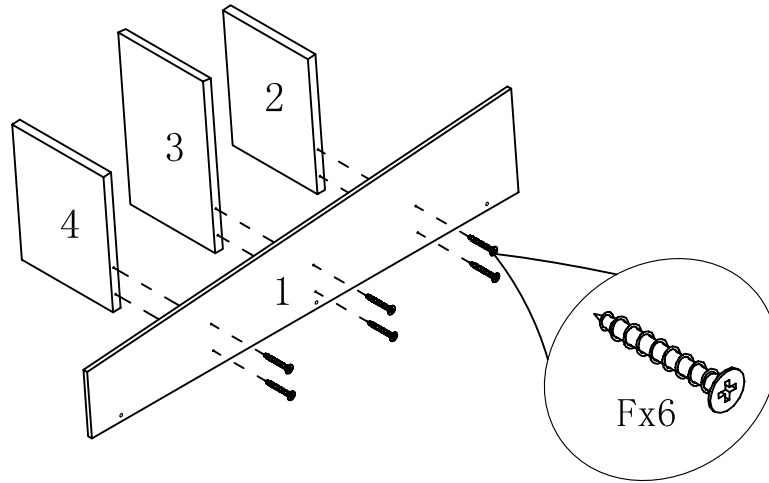
HARDWARE IDENTIFICATION

ITEM#: 10360

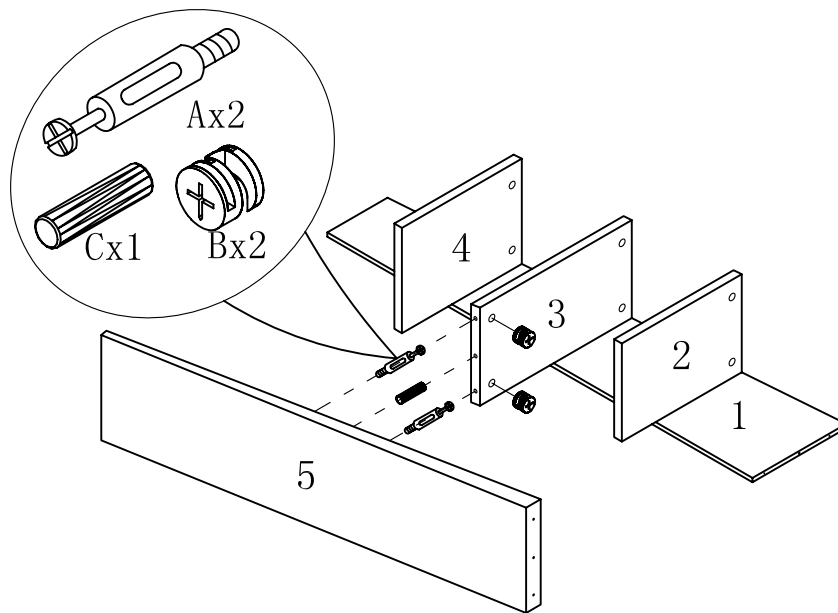
| | | | |
|---|---|---|-------|
| A |  | L29 | 34pcs |
| B |  | ϕ 15 | 34pcs |
| C |  | ϕ 8x25 | 22pcs |
| D |  | ϕ 7x48 | 8pcs |
| E |  | ϕ 18 | 2pcs |
| F |  | ϕ 4x35 | 22pcs |
| G |  | ϕ 6x30 | 7pcs |
| H |  | L20 | 9pcs |
| I |  | ϕ 12 | 9pcs |
| J |  | ϕ 4x25 | 1pc |
| K |  | ϕ 5x40 | 1pc |
| L |  | | 1pc |
| M |  | | 1pc |
| N |  | Glue: For securing please apply to wood dowel first before inserting into panel | 1pc |

ASSEMBLY INSTRUCTION

ITEM#: 10360

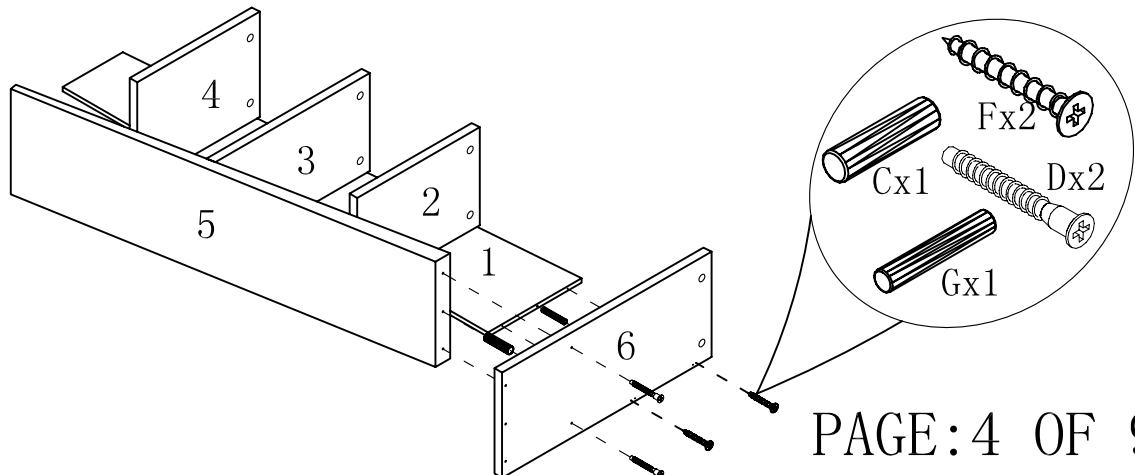


STEP 1



STEP 2

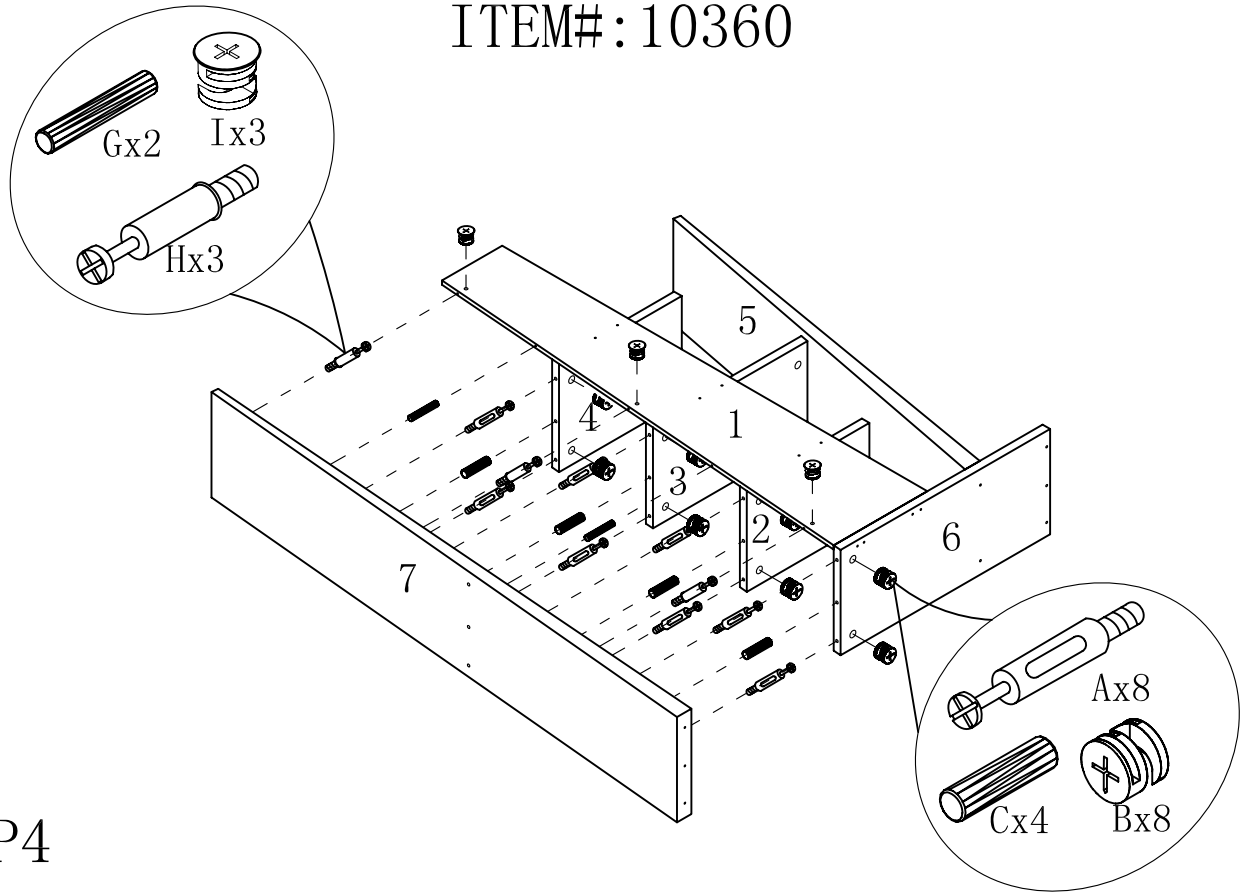
STEP 3



PAGE: 4 OF 9

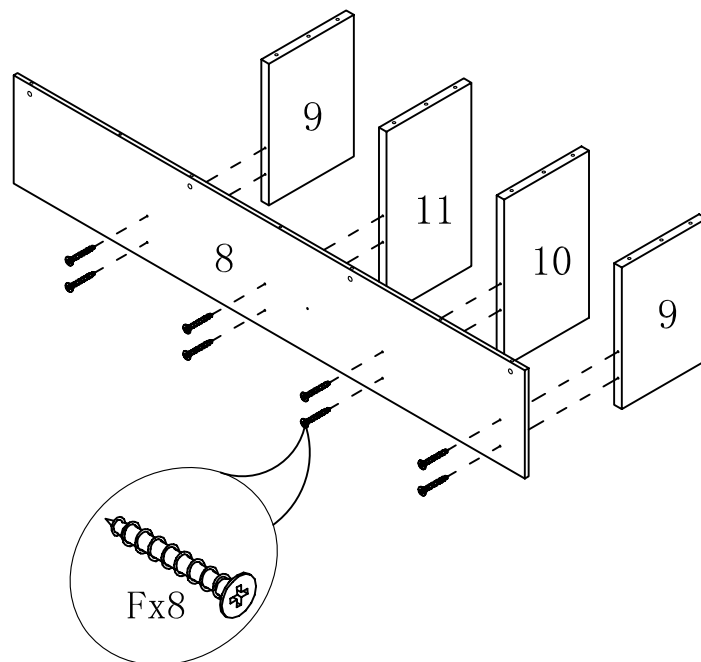
ASSEMBLY INSTRUCTION

ITEM#: 10360



STEP 4

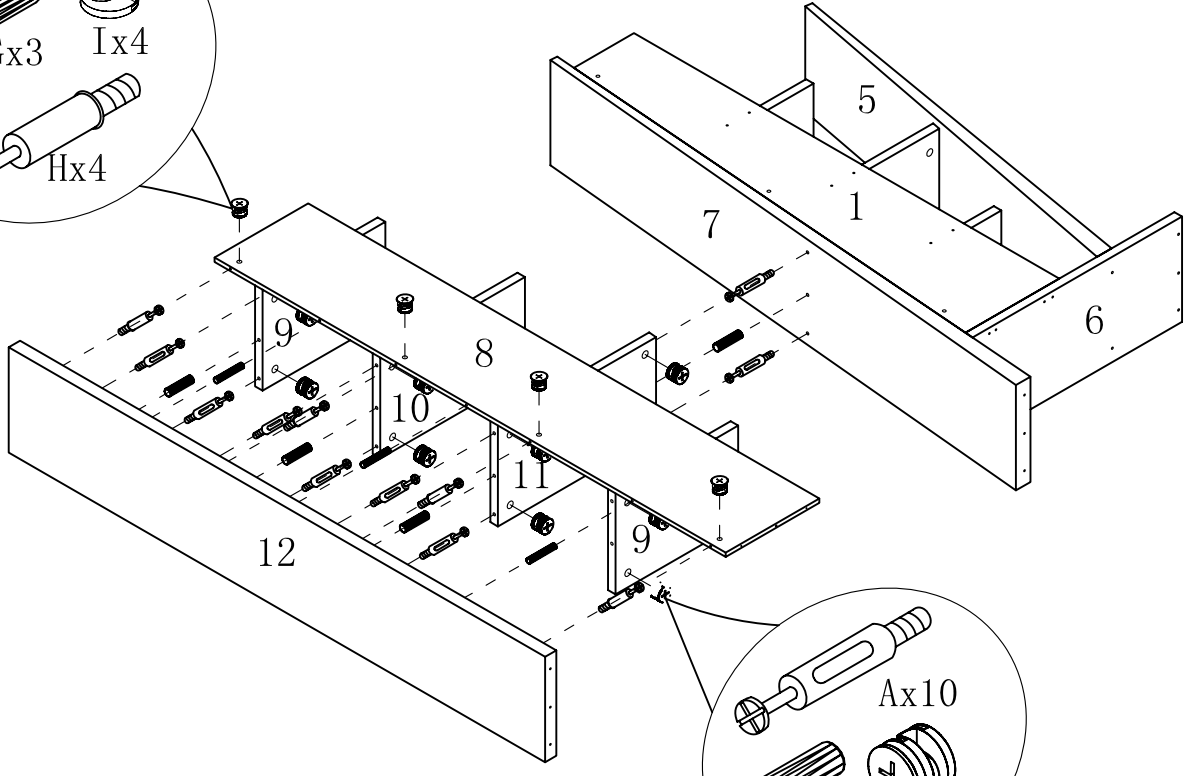
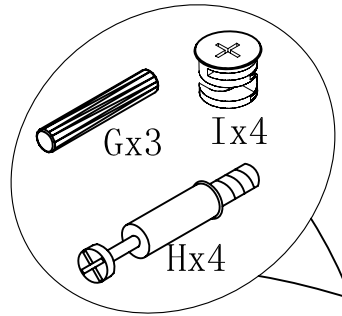
STEP 5



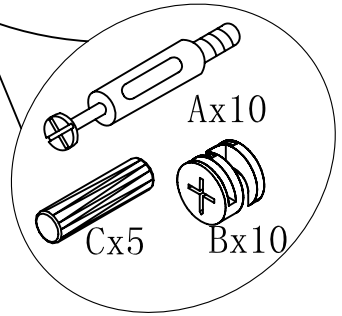
PAGE: 5 OF 9

ASSEMBLY INSTRUCTION

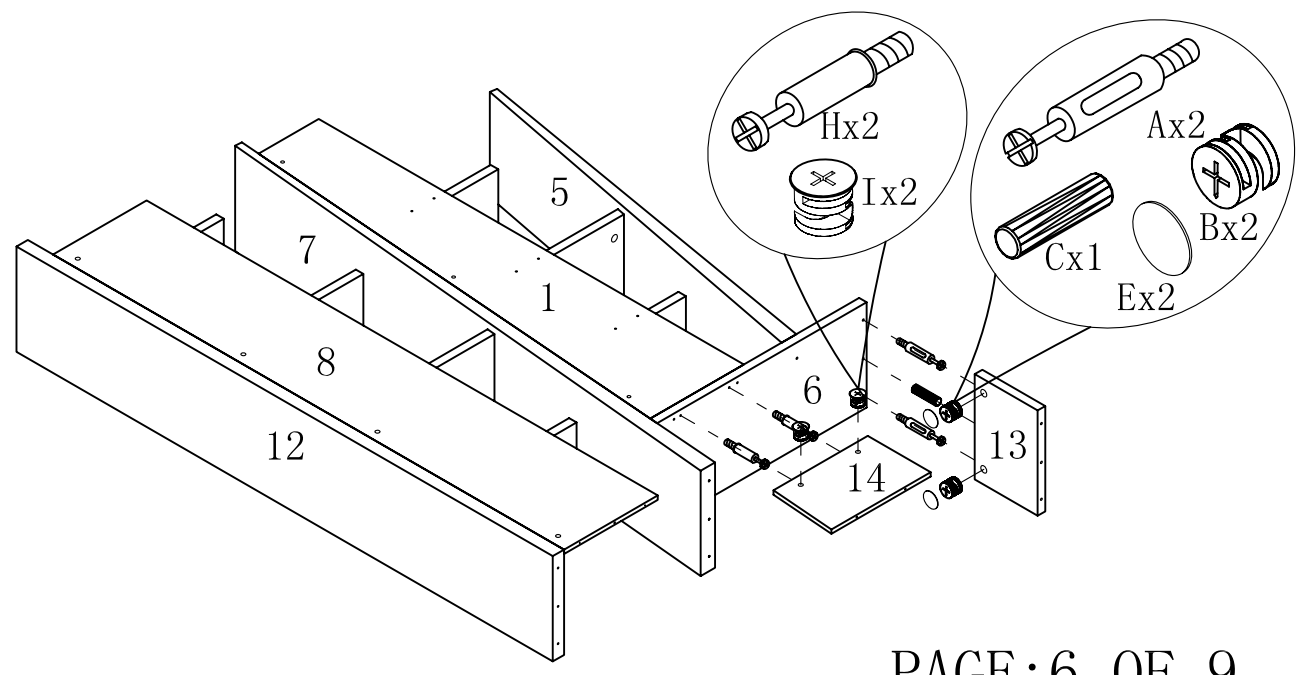
ITEM#: 10360



STEP6



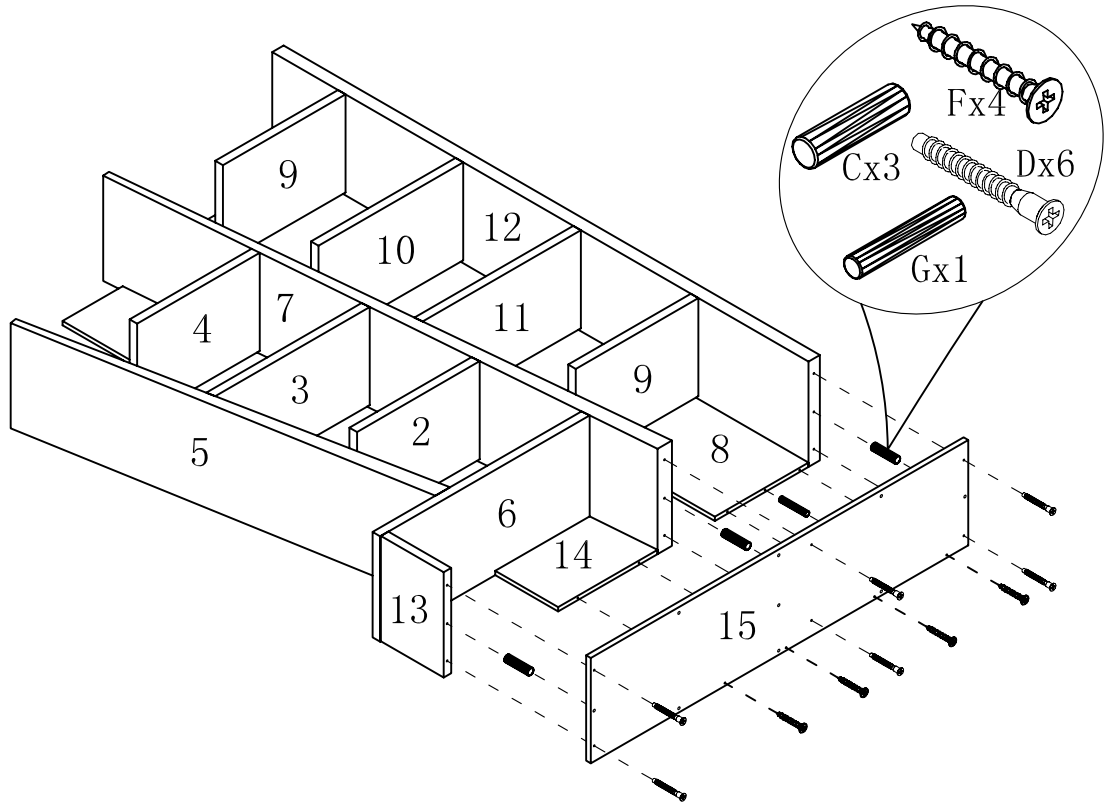
STEP7



PAGE:6 OF 9

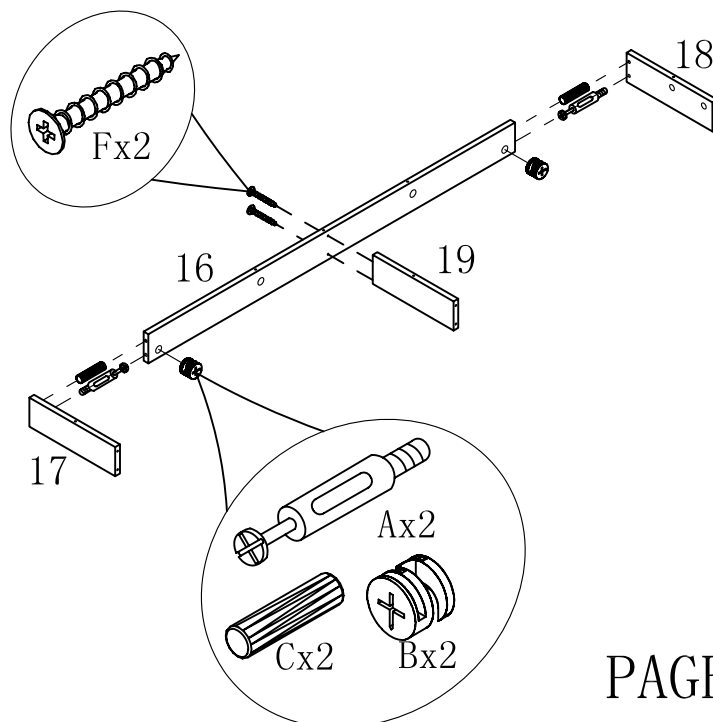
ASSEMBLY INSTRUCTION

ITEM#: 10360



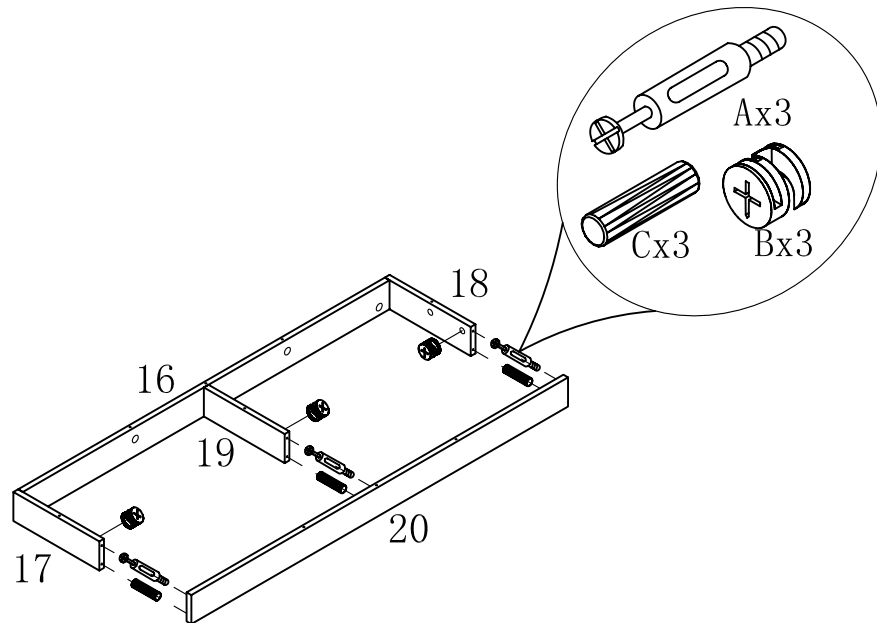
STEP8

STEP9



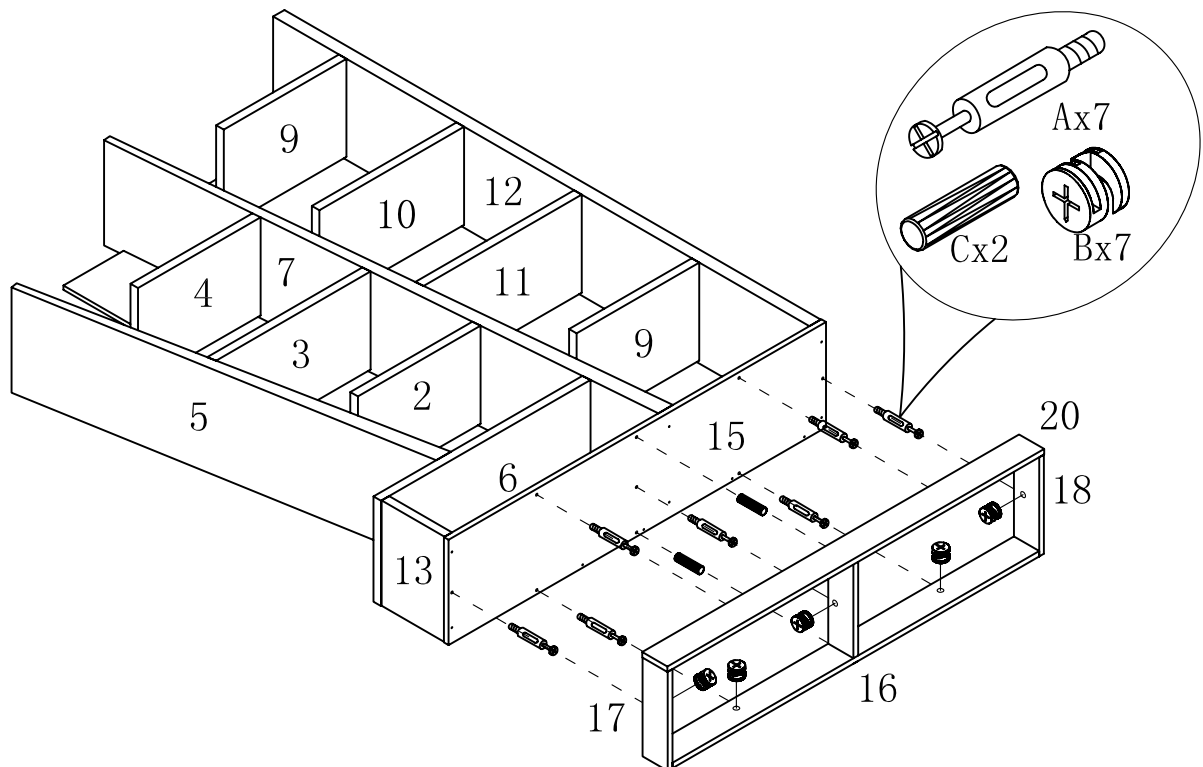
ASSEMBLY INSTRUCTION

ITEM#: 10360



STEP10

STEP11



ASSEMBLY INSTRUCTION

ITEM#: 10360

STEP 12

