

ASSEMBLY INSTRUCTION

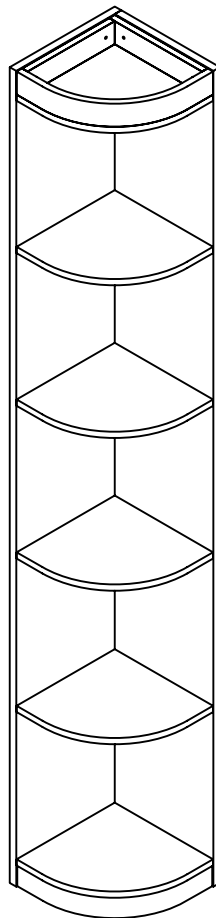
PLEASE READ BEFORE ASSEMBLING!

Tip #1: Make sure you've taken all the pieces and hardware out of its packaging before discarding the box.

Tip #2: Using page 2 and/or page 3 of instruction manual make sure all pieces and hardware are accounted for.

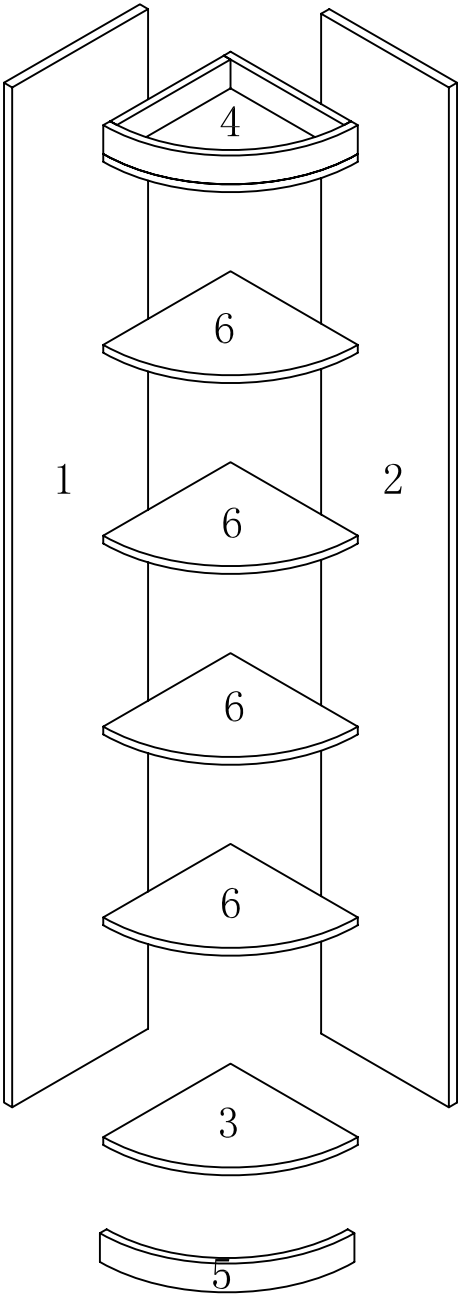
Tip #3: Read manual before assembling, it helps!

ITEM#: 10370C



PARTS IDENTIFICATION



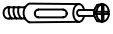
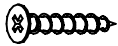


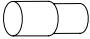
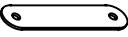
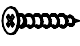
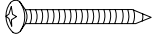
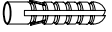


ITEM#: 10370C



- | | | | |
|-----|-----|-----|------|
| (1) | 1pc | (5) | 1pc |
| (2) | 1pc | (6) | 4pcs |
| (3) | 1pc | | |
| (4) | 1pc | | |

HARDWARE IDENTIFICATION

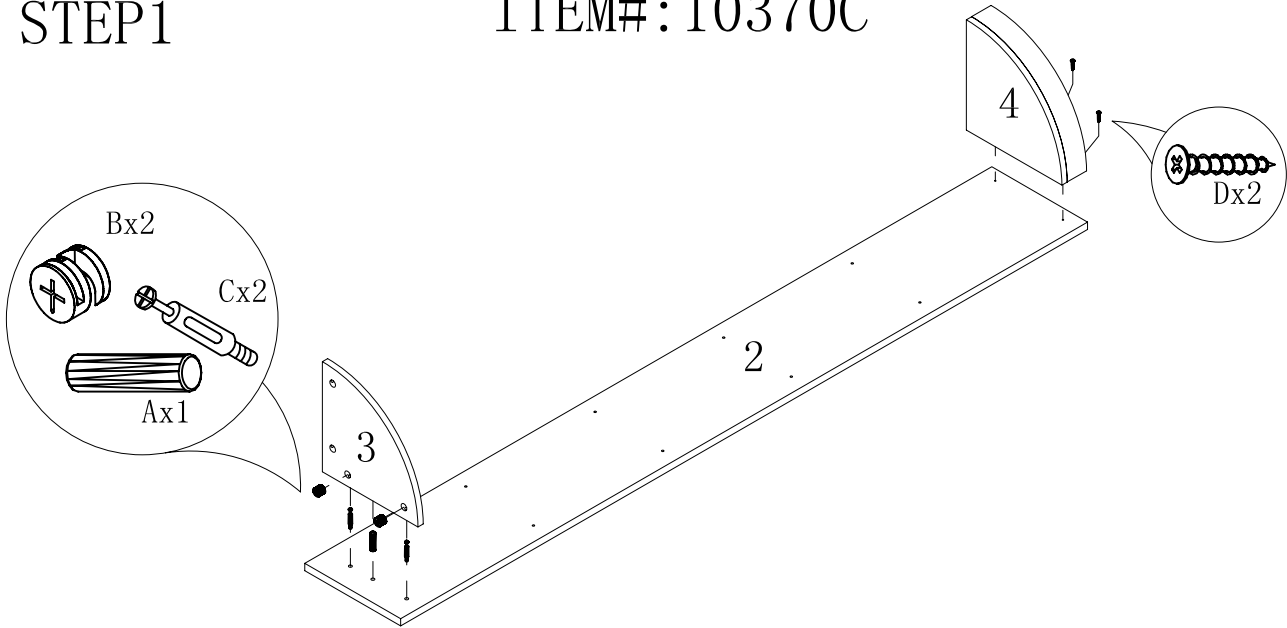
ITEM#: 10370C

A		ϕ 8x25	10pcs
B		ϕ 15	7pcs
C		L29	7pcs
D		ϕ 4x30	4pcs
E		ϕ 3x14	16pcs
F			3pcs
G		ϕ 5	12pcs
H			2pcs
I		ϕ 4x25	1pc
J		ϕ 5x40	1pc
K			1pc
L			1pc
M		Glue: For securing please apply to wood dowel first before inserting into panel	1pc

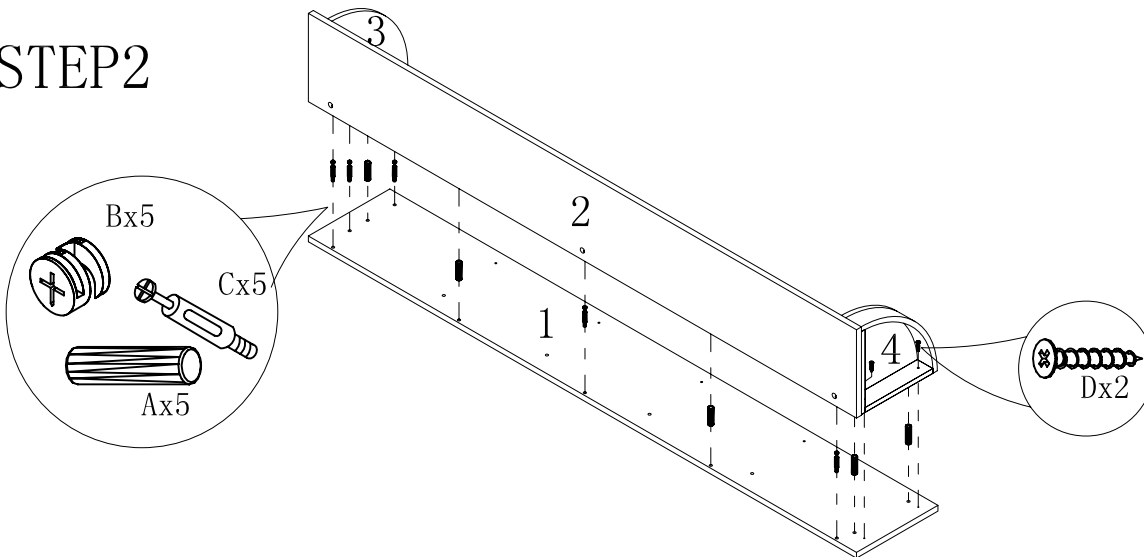
ASSEMBLY INSTRUCTION

STEP1

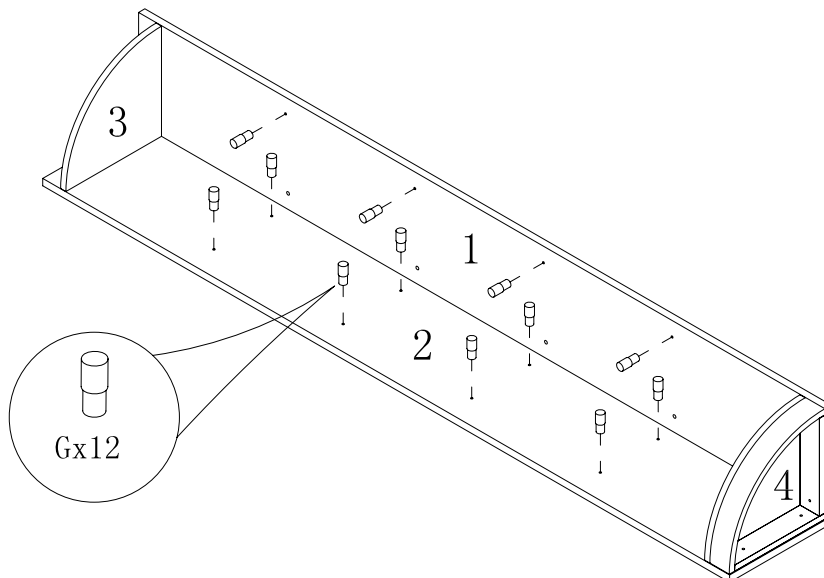
ITEM#: 10370C



STEP2

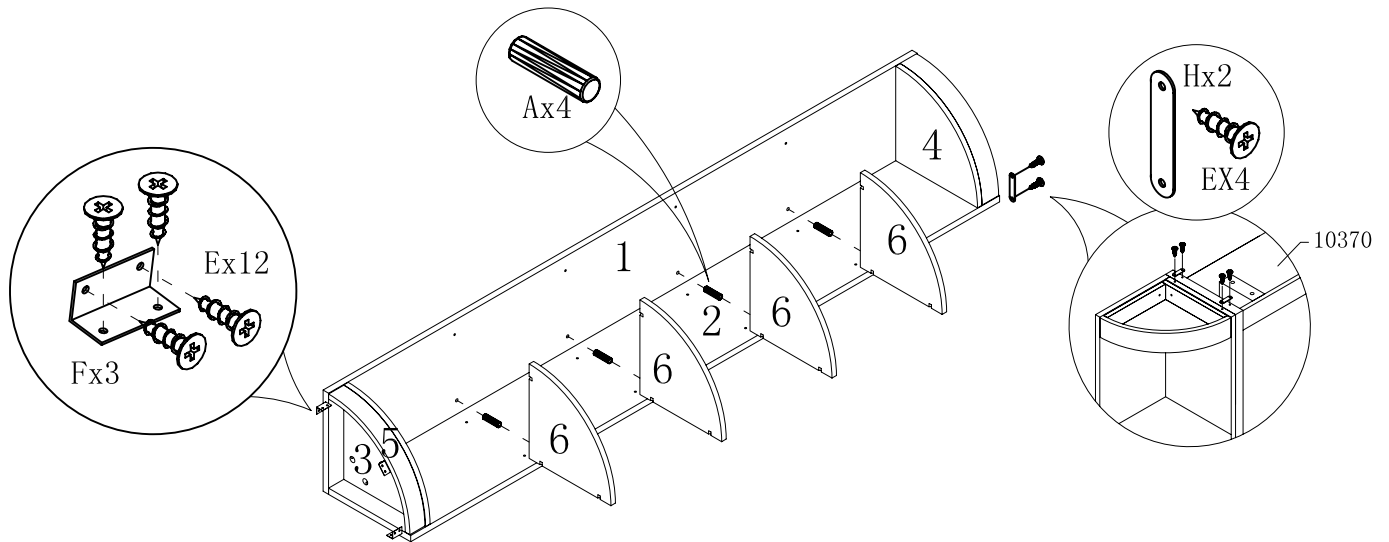


STEP3



ASSEMBLY INSTRUCTION

ITEM#: 10370C



STEP 4

STEP 5

