

# ASSEMBLY INSTRUCTION

---

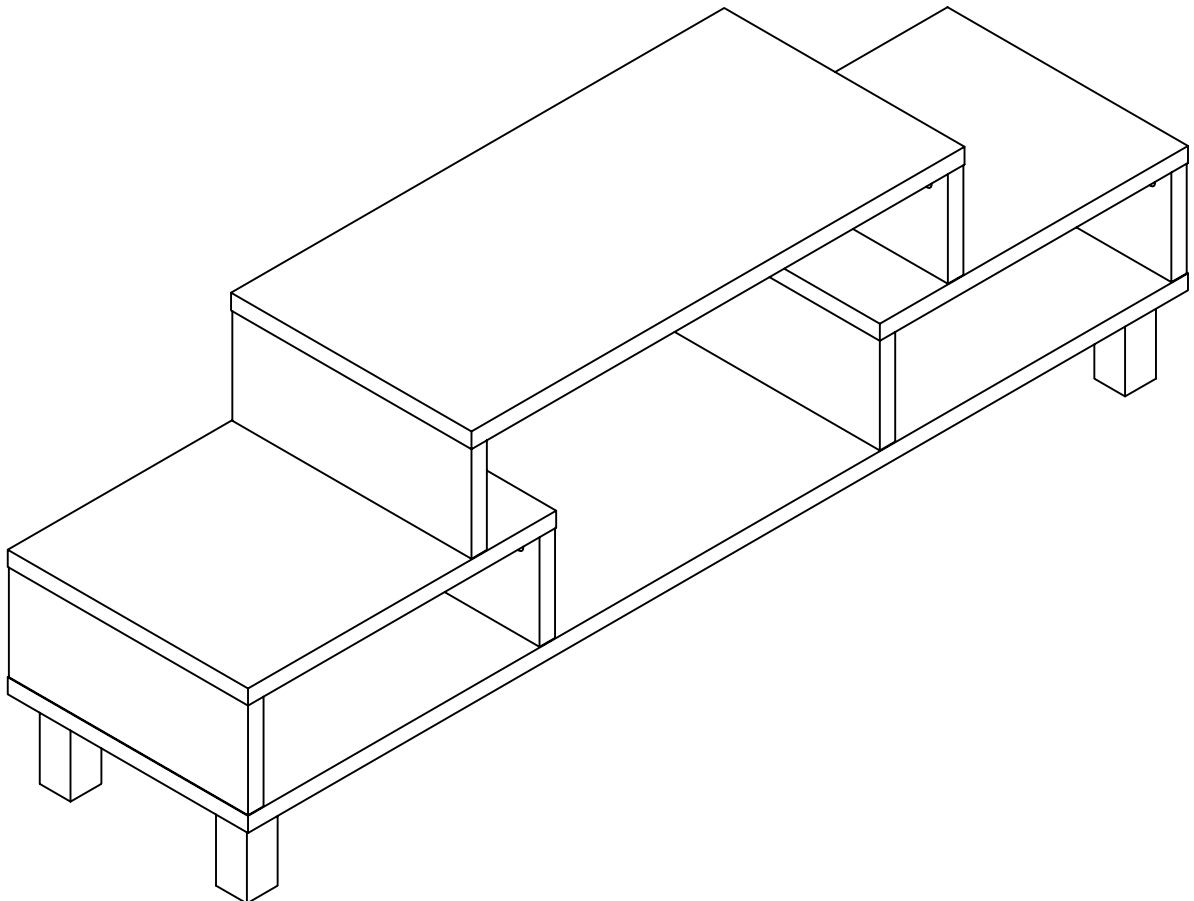
## **PLEASE READ BEFORE ASSEMBLING!**

Tip #1: Make sure you've taken all the pieces and hardware out of its packaging before discarding the box.

Tip #2: Using page 2 and/or page 3 of instruction manual make sure all pieces and hardware are accounted for.

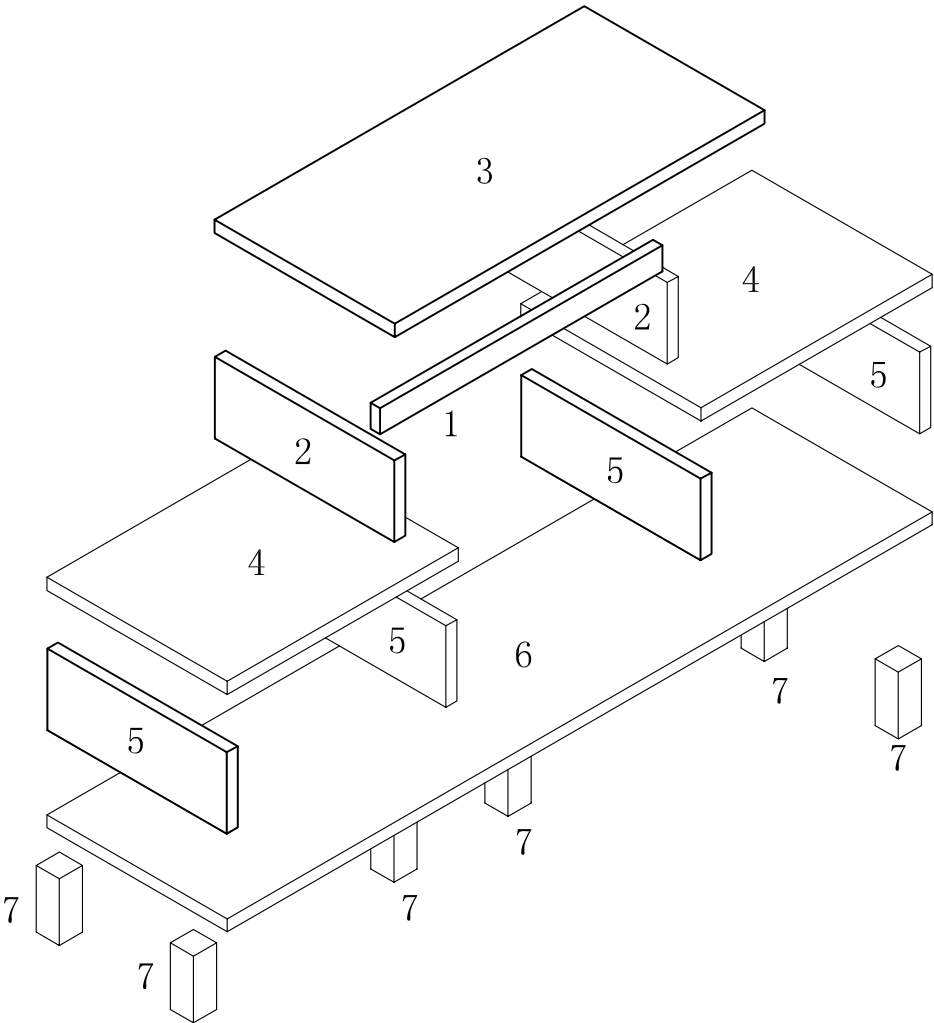
Tip #3: Read manual before assembling, it helps!

ITEM#: 10368



# PARTS IDENTIFICATION

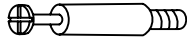




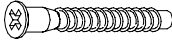
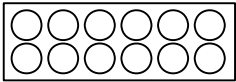

ITEM#: 10368



(1)	1pc	(6)	1pc
(2)	2pcs	(7)	6pcs
(3)	1pc		
(4)	2pcs		
(5)	4pcs		

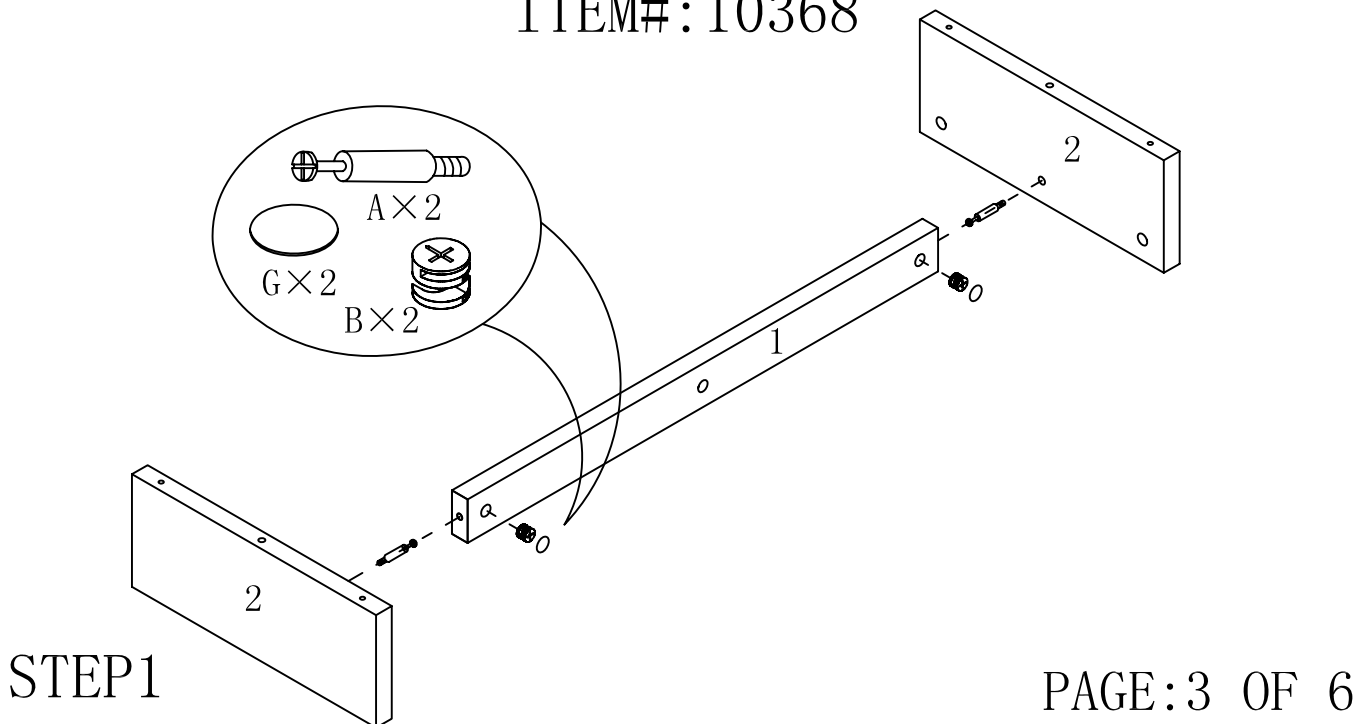
# HARDWARE IDENTIFICATION

ITEM#: 10368

A		L29	15pcs
B		$\phi$ 15	15pcs
C		$\phi$ 8 $\times$ 25	20pcs
D		$\phi$ 8 $\times$ 35	6pcs
E		M5	1pc
F		$\phi$ 7 $\times$ 48	12pcs
G		$\phi$ 18	19pcs
H		Glue: For securing please apply to wood dowel first before inserting into panel	1pc

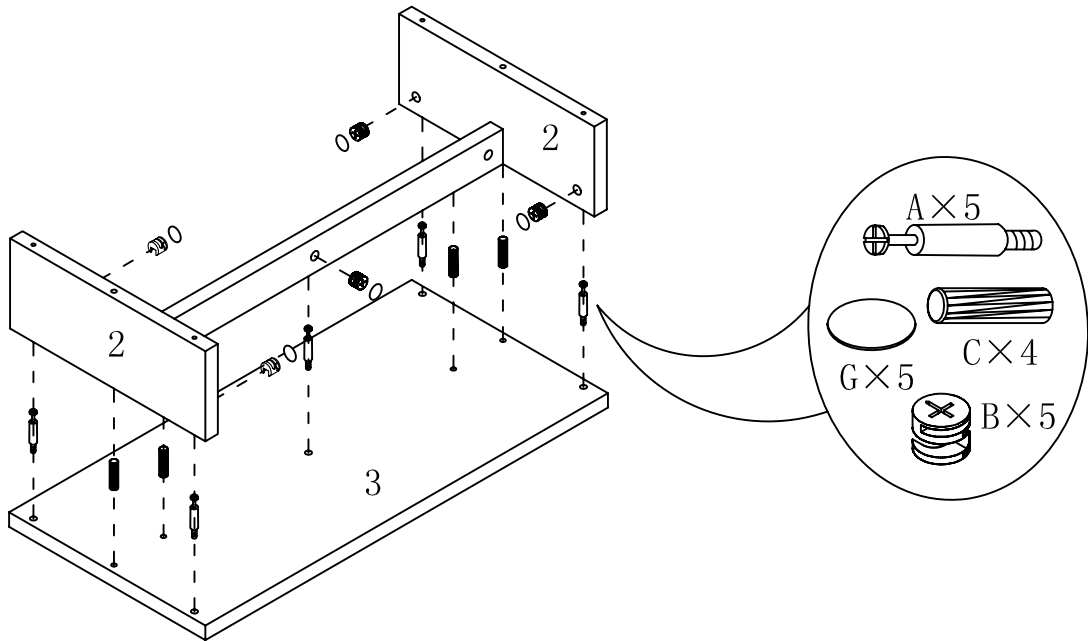
# ASSEMBLY INSTRUCTION

ITEM#: 10368



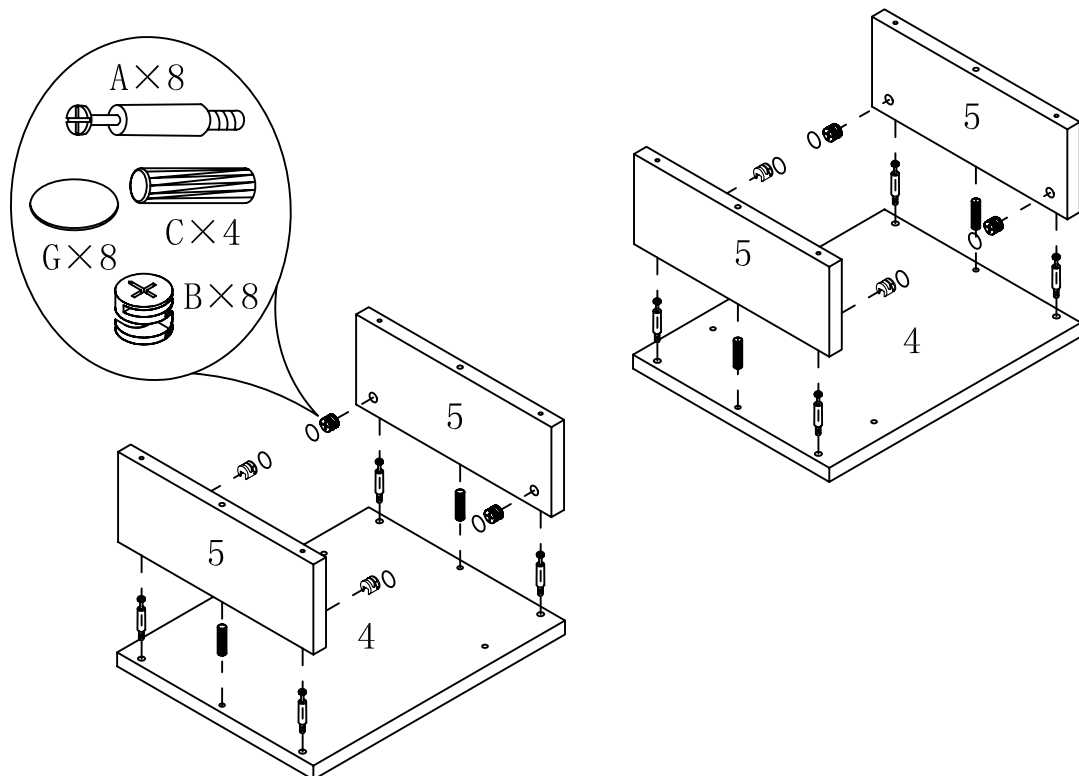
# ASSEMBLY INSTRUCTION

ITEM#: 10368



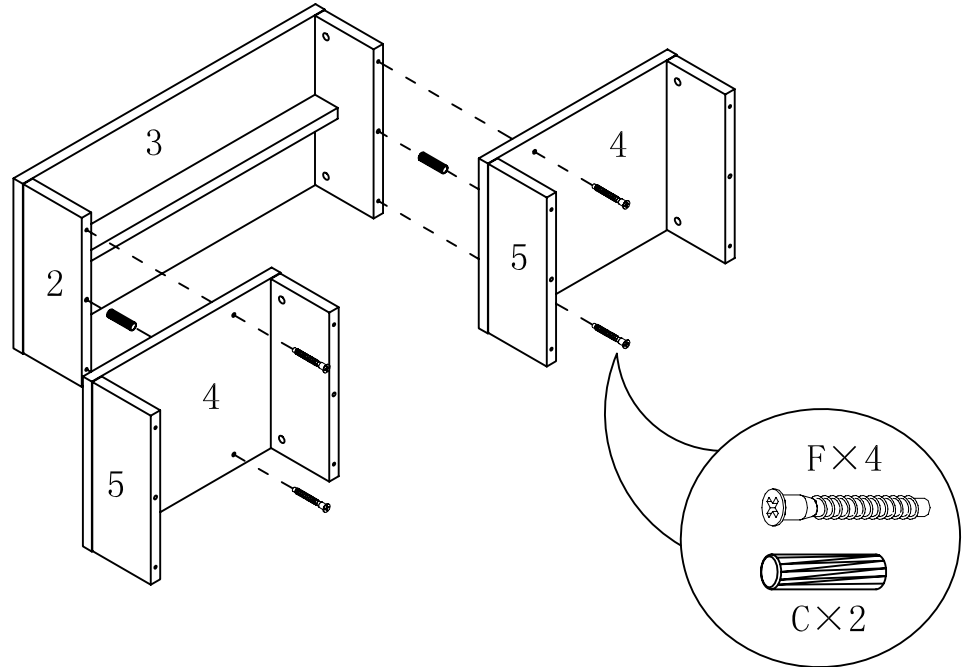
STEP2

STEP3



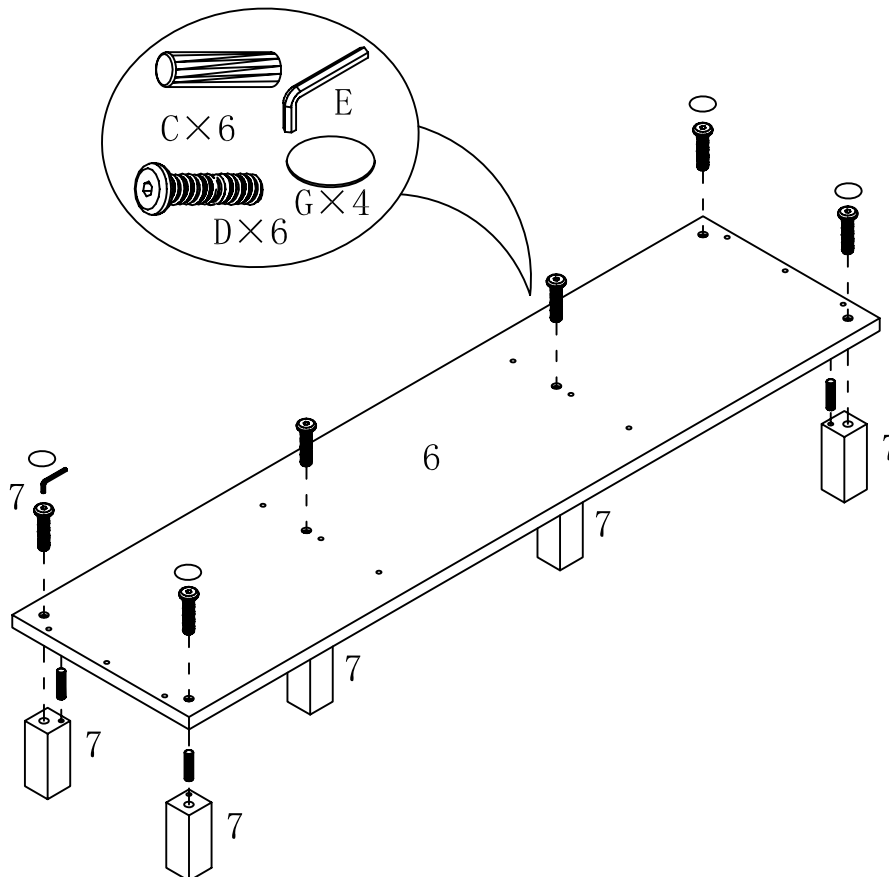
# ASSEMBLY INSTRUCTION

ITEM#: 10368



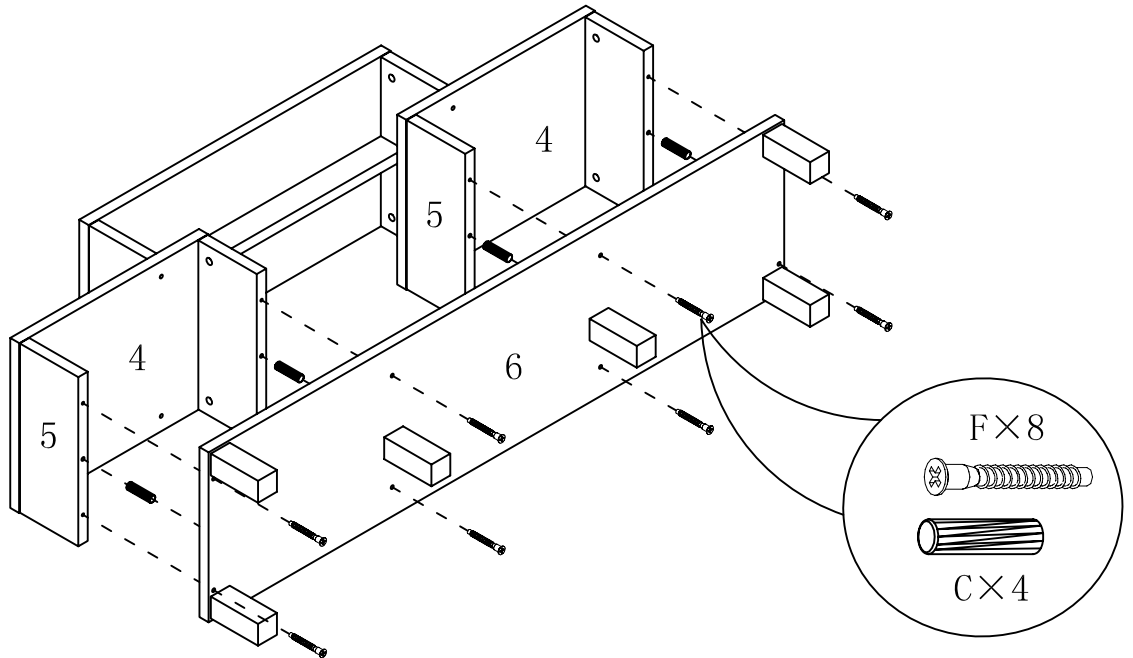
STEP 4

STEP 5



# ASSEMBLY INSTRUCTION

ITEM#: 10368



STEP6

STEP7

