

ASSEMBLY INSTRUCTION

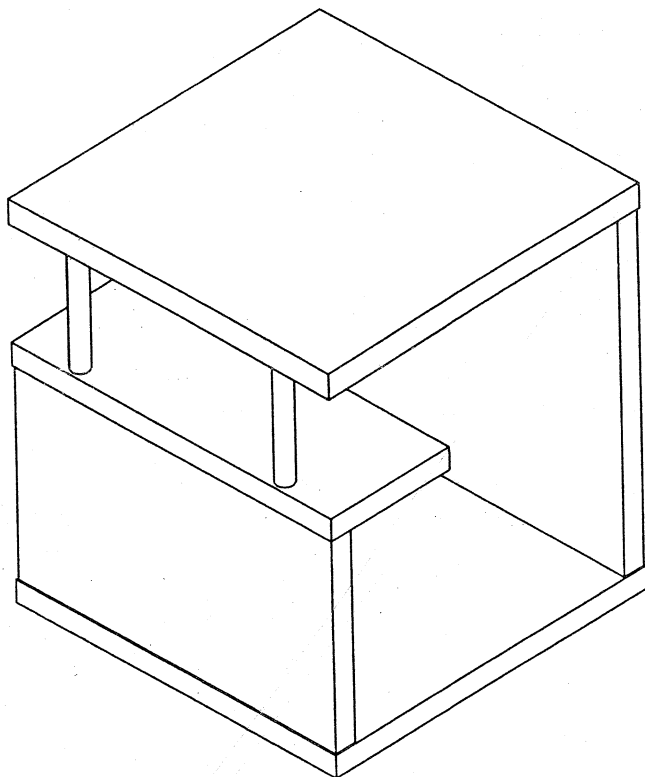
PLEASE READ BEFORE ASSEMBLING!

Tip #1: Make sure you've taken all the pieces and hardware out of its packaging before discarding the box.

Tip #2: Using page 2 and/or page 3 of instruction manual make sure all pieces and hardware are accounted for.

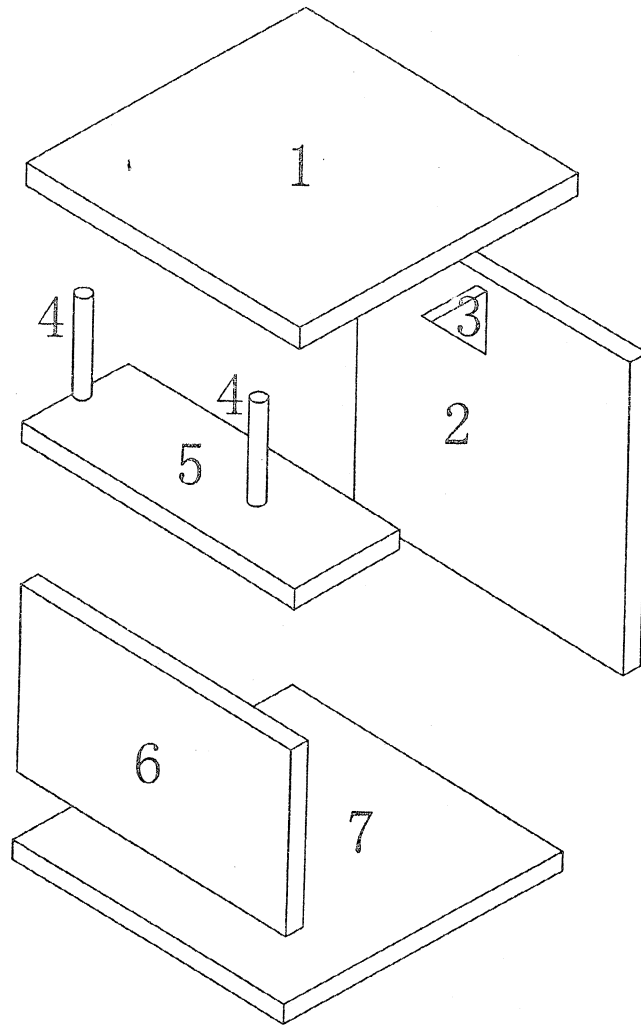
Tip #3: Read manual before assembling, it helps!

ITEM#: 10350ET



PARTS IDENTIFICATION


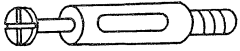
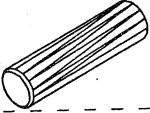
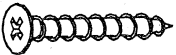




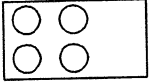

ITEM#: 10350ET



(1)	1pc	(5)	1pc
(2)	1pc	(6)	1pc
(3)	1pc	(7)	1pc
(4)	2pcs		

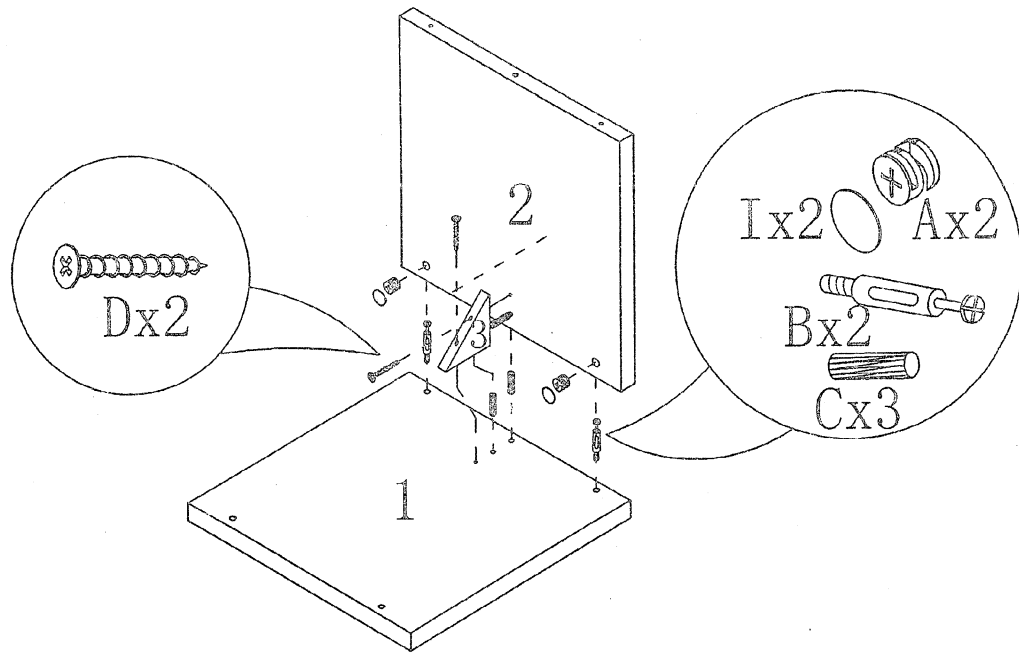
HARDWARE IDENTIFICATION

ITEM#: 10350ET

A		$\phi 15$	4pcs
B		L29	4pcs
C		$\phi 8 \times 25$	6pcs
D		$\phi 4 \times 35$	2pcs
E		M8 x 35	2pcs
F		M8 x 30	2pcs
G		$\phi 7 \times 58$	4pc
H		M5	1pc
I		$\phi 18$	4pcs
J		It's used for stick the stopper to the connecting hole firmly	1pc

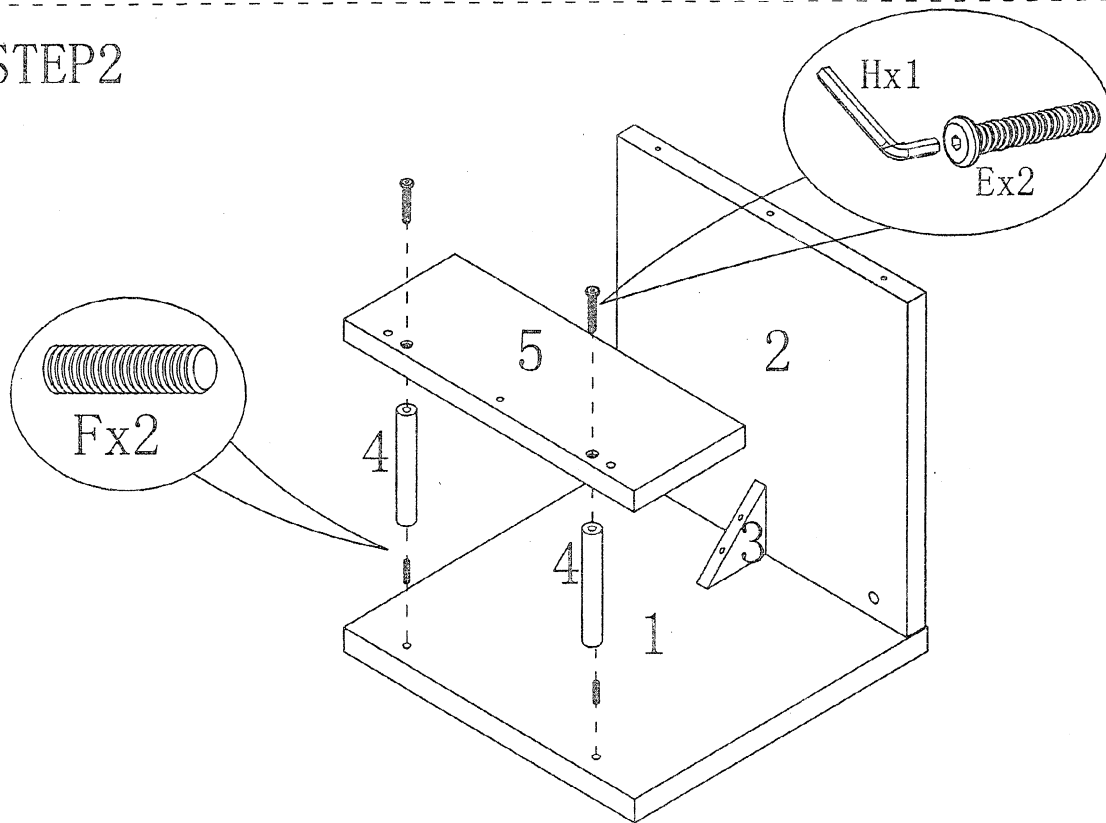
ASSEMBLY INSTRUCTION

ITEM#: 10350ET



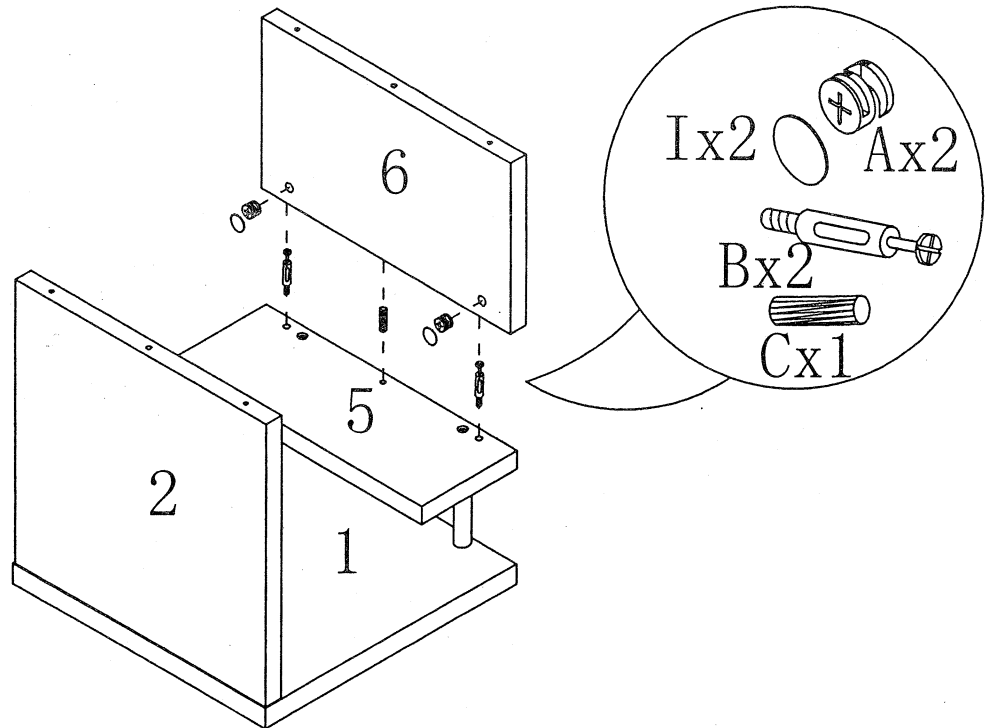
STEP1

STEP2



ASSEMBLY INSTRUCTION

ITEM#: 10350ET



STEP3

STEP4

