



Opella, LLC  
2701 Vista Parkway, Suite A-7  
West Palm Beach, FL 33411  
(772) 919-7905 Fax: (561) 640-3586

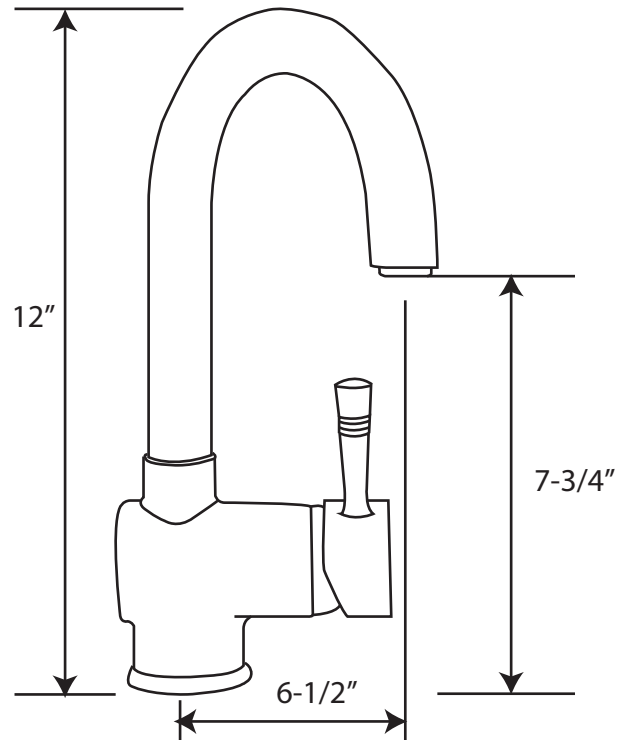
## Product Specification/Cut Sheet

**Sku# 142.106.110 - Chrome**  
**142.106.257 - Oil Rubbed Bronze**  
**142.106.280 - Brushed Nickel (PVD)**



**Deco - Bar Faucet**  
Opella Model 142.106.xxx

- All Brass Construction
- Single Lever
- Ceramic Disc Cartridge
- 6-1/2" Spout Reach, 12" Tall
- Single Hole Mounting
- Stainless Steel Flex Supplies
- Connectors 3/8" x 20" Long
- Flow Rate:  
2.5 gpm @ 80 psi



### CARE AND CLEANING

Care should be given to the cleaning of this product. While its finish is extremely durable, it can be damaged by harsh abrasives or polish. To clean, simply wipe gently with a damp cloth and blot dry with a soft towel.;

NOTE: Dimensions may vary +/-1/2" and are subject to change or cancellation.

Primary dimensions are provided in Imperial measurements, transposition to millimeters is the sole responsibility of the installer. Dimensions for Location of Supply are Suggested.

Opella, LLC assumes no responsibility or liability for local or state regulations which deviate from national standards. It shall be the responsibility of the installer to comply with local codes and standards prior to installation of any Opella product.