

**CLUB LAVATORY SERIES**

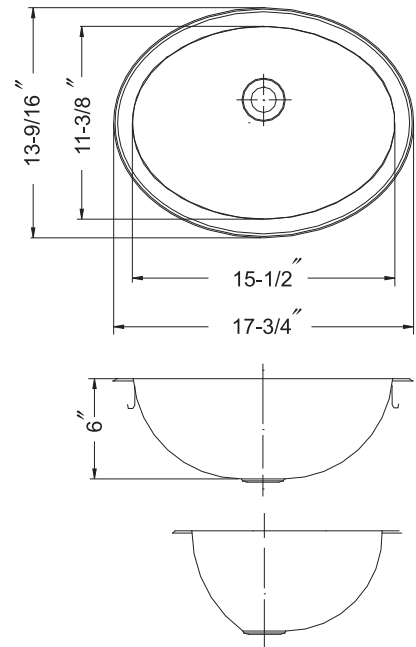
**Topmount Lavatory Oval Sink**  
**Model CHT-1800**  
**CHT0-1800** with overflow



CHT-1800

**FEATURES**

- Premium grade T-304 stainless steel
- 6" depth
- 18 gauge
- StoneGuard™ undercoating
- Lustrous satin with highlighted rim
- Fits 24" sink base
- 1-1/2" drain opening
- Supplied with cutout template, fasteners and instructions
- Complies with ASME A112.19.3-2000, UPC®
- Lifetime Limited Warranty



**OPTIONAL ACCESSORIES**

Grid Drain : FD-10

Overflow Assembly : OD-10

OVERALL DIMENSIONS	EACH BOWL	CUTOUT SIZE	PACKAGING*	WEIGHT*
17-3/4" x 13-9/16"	15-1/2" x 11-3/8"	16" x 11-7/8"	1/32/40 pcs.	7/260/260 lbs.

\*Standard packaging: Single boxed /Pallet of single boxed/Pallet of bulk pack.  
All dimensions are in inches. Specifications subject to change without notice.

Project/Job name \_\_\_\_\_

Architect/Engineer \_\_\_\_\_

Contractor \_\_\_\_\_

Model \_\_\_\_\_ Q'ty \_\_\_\_\_

Notes \_\_\_\_\_

**Installation profile**

