

ASSEMBLY INSTRUCTION SHEET FOR D420-35

IMPORTANT SAFETY NOTICE: READ CAREFULLY BEFORE BEGINNING ASSEMBLY!

- * Always use proper tools.
- * Follow the assembly steps in order. Do not skip any steps.
- * Carefully review the list of parts. If parts are missing, contact the retailer from which you purchased the product to obtain any missing parts. DO NOT USE SUBSTITUTE PARTS.
- * Periodically check to ensure that all connectors (bolts, screws, etc.) are tight.
- * Keep the instructions for future reference.
- * Some assembly may involve attaching glass or mirrors. Be very careful handling the glass or mirrors, as severe injury may result if the glass or mirror breaks. Never handle large pieces of glass or mirrors by yourself.

- * When assembling products that have electric cords (lamps, lights, etc.), always (1) make sure the electrical cord is unplugged before assembly and (2) be careful not to twist the electrical cord during assembly.
- * When assembling shelves or entertainment centers, do not stand on lower shelves in order to assemble upper shelves—use a step ladder.
- * Do not stand on tables, including but not limited to, end tables, coffee tables, and dinner tables, as tables are not meant to support the weight of a person.
- * Where assembly instructions state that assembly requires two or more people, do not attempt assembly by yourself as there is a risk of injury.



NOTE: SIGNATURE DESIGN FURNITURE, LLC. DISCLAIMS ANY LIABILITY FOR DAMAGES OR INJURIES WHICH MAY OCCUR DUE TO FAILURE TO PROPERLY FOLLOW ASSEMBLY INSTRUCTIONS, PROPERLY ASSEMBLE THE PRODUCT, OR PROPERLY USE THE PRODUCT.

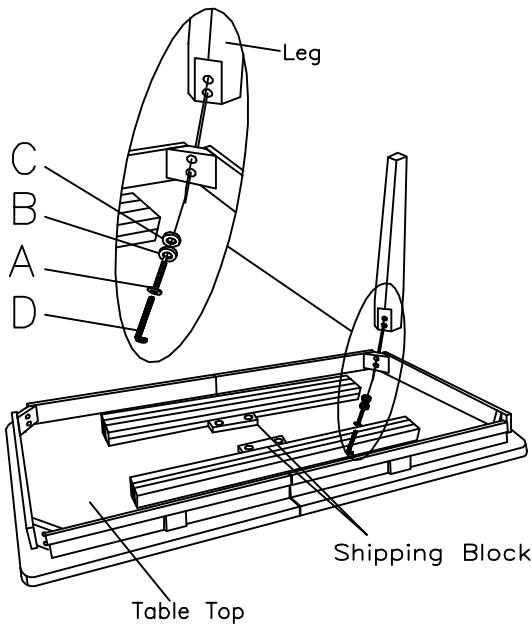
CHECK TO SEE THAT THE FOLLOWING PARTS ARE IN THE HARDWARE PACK!

NO	DRAWING	Q'TY	DESCRIPTION	NO	DRAWING	Q'TY	DESCRIPTION
A		8	5/16" x 75mm ALLEN BOLT	C		8	5/16" FLAT WASHER
B		8	5/16" LOCK WASHER	D		1	ALLEN WRENCH

①



NOTE: UNIT SHOULD BE ASSEMBLED BY TWO OR MORE PEOPLE. DO NOT TIGHTEN ANY BOLTS UNTIL ALL BOLTS HAVE BEEN STARTED!



1. Place the table top upside down onto a smooth and protective surface.

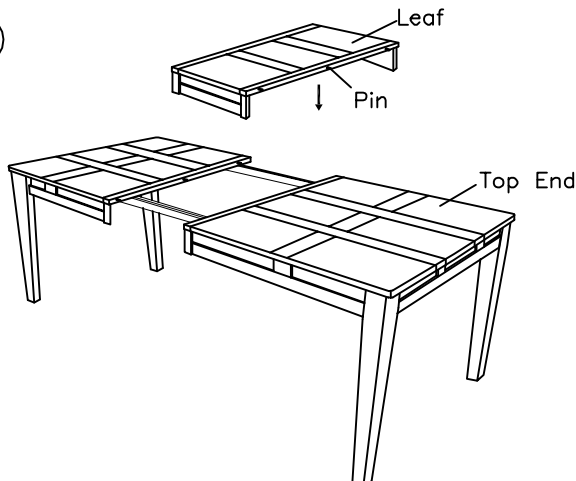
2. Remove and discard the shipping blocks.

3. Using an allen wrench D, screw the allen bolt A through the lock washer B and flat washer C through the corner block into the leg as shown.

4. Repeat for the remaining legs.

5. Tighten all bolts.

②



1. Carefully set the table upright.

2. Slide the two top ends open as far as possible. Place the center leaf between the two top ends.

3. Slide the two top ends in and make sure that the pins in the leaf are fully inserted into the holes in the top.