

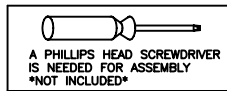
IMPORTANT SAFETY NOTICE: READ CAREFULLY BEFORE BEGINNING ASSEMBLY!

- * Always use proper tools.
- * Follow the assembly steps in order. Do not skip any steps.
- * Carefully review the list of parts. If parts are missing, contact the retailer from which you purchased the product to obtain any missing parts. **DO NOT USE SUBSTITUTE PARTS.**
- * Periodically check to ensure that all connectors (bolts, screws, etc.) are tight.
- * Keep the instructions for future reference.
- * Some assembly may involve attaching glass or mirrors. Be very careful handling the glass or mirrors, as severe injury may result if the glass or mirror breaks. Never handle large pieces of glass or mirrors by yourself.
- *When assembling products that have electric cords (lamps, light, etc.), always (1) make sure the electrical cord is unplugged before assembly and (2) be careful not to twist the electrical cord during assembly.
- *When assembling shelves or entertainment centers, do not stand on lower shelves in order to assemble upper shelves—use a step ladder.
- *So not stand on tables, including but not limited to, end tables, coffee tables, and dinner tables, as tables are not to support the weight of a person.
- *Where assembly instructions state that the assembly requires two or more people, do not attempt by yourself as there is a risk of injury.



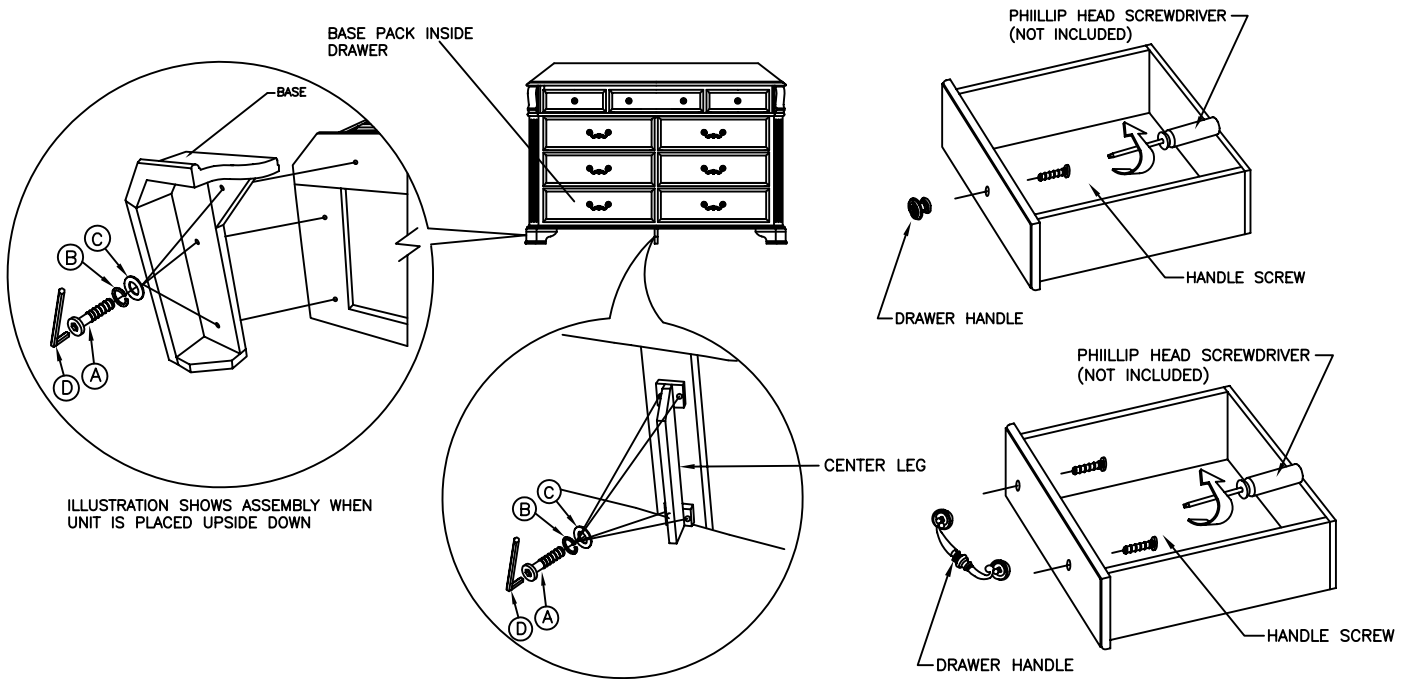
! NOTE: SIGNATURE DESIGN FURNITURE, LLC. DISCLAIMS ANY LIABILITY FOR DAMAGES OR INJURIES WHICH MAY OCCUR DUE TO FAILURE TO PROPERLY FOLLOW ASSEMBLY INSTRUCTIONS, PROPERLY ASSEMBLE THE PRODUCT, OR PROPERLY USE THE PRODUCT.

CHECK TO SEE THAT THE FOLLOWING PARTS ARE IN THE HARDWARE PACK!



NO	DRAWING	Q'TY	DESCRIPTION	NO	DRAWING	Q'TY	DESCRIPTION	NO	DRAWING	Q'TY	DESCRIPTION
A		10	M6 x 40mm BOLT	C		10	FLAT WASHER	E		1	TIPPING RESTRAINT
B		10	LOCK WASHER	D		1	4MM ALLEN WRENCH				

! NOTE: UNIT SHOULD BE ASSEMBLED BY TWO OR MORE PEOPLE. DO NOT TIGHTEN ANY BOLTS UNTIL ALL BOLTS HAVE BEEN STARTED!



1. Remove the base pack from inside the bottom drawers and lay the unit on its back or upside down on a smooth and protective surface.

NOTE: Make sure the base labeled "L" is attached to the left corner and the base labeled "R" is attached to the right corner.

2. Attach the bases to the bottom of the unit with bolts (A), lock washers (B) and flat washers (C) as shown.

3. Tighten all bolts using Allen wrench (D) and carefully set the unit upright.

4. The drawer handles are attached on the inside for shipment. Open the drawers, unscrew the handles using a Phillip head screwdriver (not included) and reattach the handles on the front of the drawers as shown.

! WARNING !

The use of the included tipping restraint may reduce, but not eliminate, the risk of furniture tip over. Follow the instructions on the plastic bag for proper installation.