

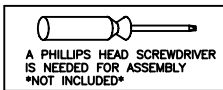


**IMPORTANT SAFETY NOTICE: READ CAREFULLY BEFORE BEGINNING ASSEMBLY!**

- \* Always use proper tools.
- \* Follow the assembly steps in order. Do not skip any steps.
- \* Carefully review the list of parts. If parts are missing, contact the retailer from which you purchased the product to obtain any missing parts. **DO NOT USE SUBSTITUTE PARTS.**
- \* Periodically check to ensure that all connectors (bolts, screws, etc.) are tight.
- \* Keep the instructions for future reference.
- \* Some assembly may involve attaching glass or mirrors. Be very careful handling the glass or mirrors, as severe injury may result if the glass or mirror breaks. Never handle large pieces of glass or mirrors by yourself.
- \*When assembling products that have electric cords (lamps, light, etc.), always (1) make sure the electrical cord is unplugged before assembly and (2) be careful not to twist the electrical cord during assembly.
- \*When assembling shelves or entertainment centers, do not stand on lower shelves in order to assemble upper shelves—use a step ladder.
- \*So not stand on tables, including but not limited to, end tables, coffee tables, and dinner tables, as tables are not to support the weight of a person.
- \*Where assembly instructions state that the assembly requires two or more people, do not attempt by yourself as there is a risk of injury.

**⚠ NOTE: SIGNATURE DESIGN FURNITURE, LLC. DISCLAIMS ANY LIABILITY FOR DAMAGES OR INJURIES WHICH MAY OCCUR DUE TO FAILURE TO PROPERLY FOLLOW ASSEMBLY INSTRUCTIONS, PROPERLY ASSEMBLE THE PRODUCT, OR PROPERLY USE THE PRODUCT.**

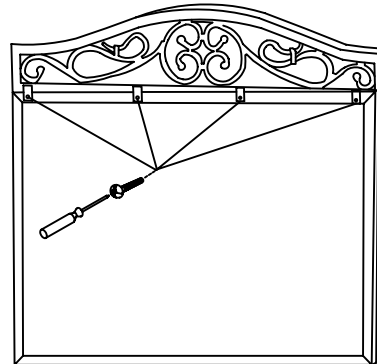
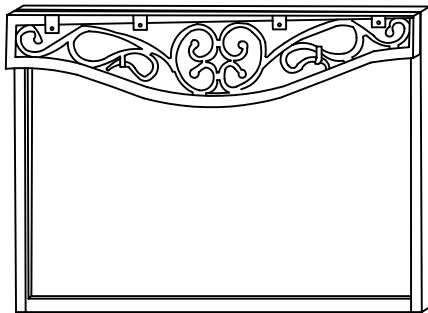
CHECK TO SEE THAT THE FOLLOWING PARTS ARE IN THE CARTON BOX



NO		QTY	DESCRIPTION	NO		QTY	DESCRIPTION
A		4	M6 x 50mm	C		4	M6 x 30mm
B		1	ALLEN WRENCH				

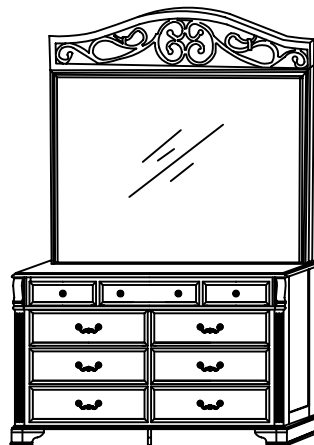
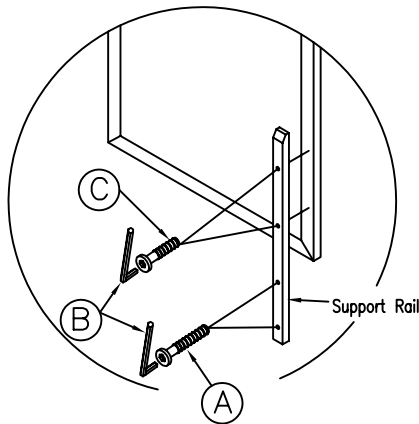
①

**⚠ NOTE: UNIT SHOULD BE ASSEMBLED BY 2 OR MORE PEOPLE!**



1. Metal panel is attached to the back of mirror for shipping. Remove the bolt and set the metal panel on its actual position on mirror frame. By using the same bolt, secure the connection with allen wrench.

②



1. Secure the support rails to the mirror using bolt (C) and allen wrench (B).
2. Fasten the mirror and rails to the dresser using bolt (A) and allen wrench (B).