

ASSEMBLY INSTRUCTIONS FOR D420-01



IMPORTANT SAFETY NOTICE: READ CAREFULLY BEFORE BEGINNING ASSEMBLY!

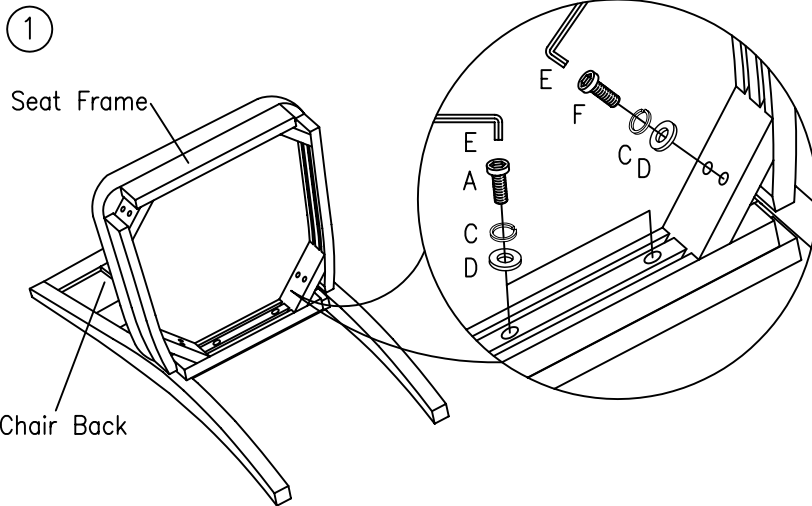
- * Always use proper tools.
- * Follow the assembly steps in order. Do not skip any steps.
- * Carefully review the list of parts. If parts are missing, contact the retailer from which you purchased the product to obtain any missing parts. **DO NOT USE SUBSTITUTE PARTS.**
- * Periodically check to ensure that all connectors (bolts, screws, etc.) are tight.
- * Keep the instructions for future reference.
- * Some assembly may involve attaching glass or mirrors. Be very careful handling the glass or mirrors, as severe injury may result if the glass or mirror breaks. Never handle large pieces of glass or mirrors by yourself.
- * When assembling products that have electric cords (lamps, light, etc.), always (1) make sure the electrical cord is unplugged before assembly and (2) be careful not to twist the electrical cord during assembly.
- * When assembling shelves or entertainment centers, do not stand on lower shelves in order to assemble upper shelves—use a step ladder.
- * So not stand on tables, including but not limited to, end tables, coffee tables, and dinner tables, as tables are not to support the weight of a person.
- * Where assembly instructions state that the assembly requires two or more people, do not attempt by yourself as there is a risk of injury.

NOTE: SIGNATURE DESIGN FURNITURE, LLC. DISCLAIMS ANY LIABILITY FOR DAMAGES OR INJURIES WHICH MAY OCCUR DUE TO FAILURE TO PROPERLY FOLLOW ASSEMBLY INSTRUCTIONS, PROPERLY ASSEMBLE THE PRODUCT, OR PROPERLY USE THE PRODUCT.

CHECK TO SEE THAT THE FOLLOWING PARTS ARE IN THE HARDWARE PACK!

NO	DRAWING	Q'TY	DESCRIPTION	NO	DRAWING	Q'TY	DESCRIPTION
A		2	5/16" x 40mm ALLEN BOLT	D		10	5/16" FLAT WASHER
B		4	5/16" x 70mm ALLEN BOLT	E		1	5mm ALLEN WRENCH
C		10	5/16" LOCK WASHER	F		4	5/16" x 80mm ALLEN BOLT

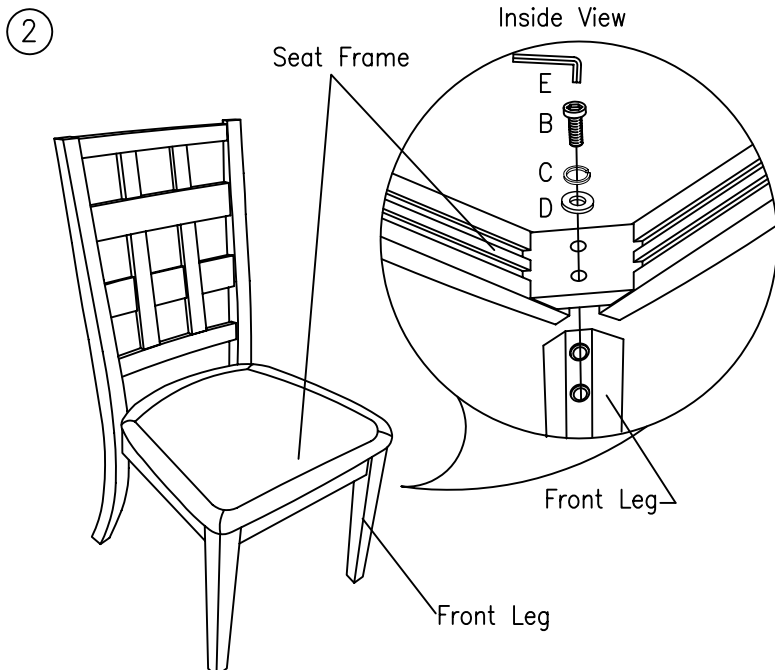
NOTE: DO NOT TIGHTEN ANY BOLTS UNTIL ALL BOLTS HAVE BEEN STARTED!



1. Carefully place the chair back onto a smooth and protective surface.

2. Fix the seat frame to the chair back by turning an Allen bolt A, lock washer C and flat washer D into each middle hole in the chair back as shown.

3. Thread an Allen bolt F, lock washer C and flat washer D through each hole in the corner blocks into each leg as shown.



1. Attach the front legs to the seat frame by turning an Allen bolt B, lock washer C and flat washer D into each hole in the front leg as shown.

2. Carefully set the chair upright. Level the chair and tighten all bolts with the Allen wrench E.

NOTE: IT IS SUGGESTED THAT THE ALLEN WRENCH BE KEPT. IT MAY BE REUSED TO PERIODICALLY TIGHTEN THE BOLTS IF THEY BECOME LOOSE.