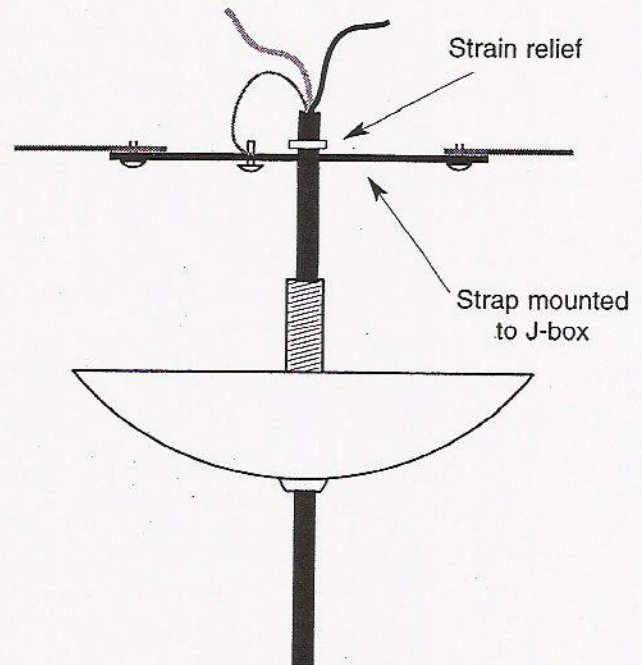
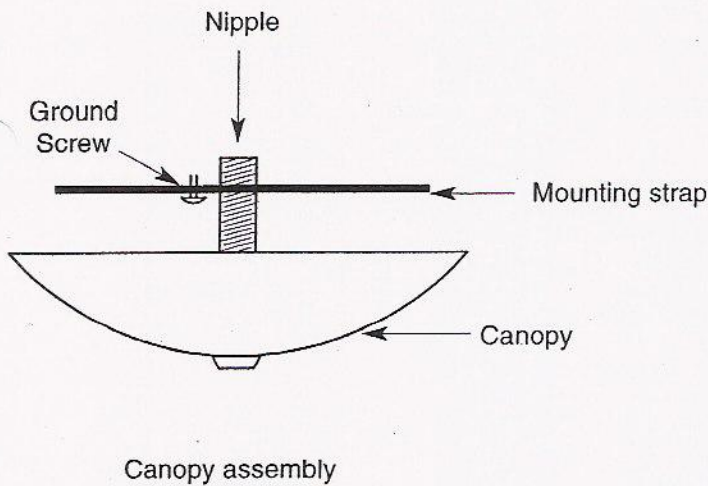


Dome suspension

Installation Instructions

1. Remove the mounting strap from the canopy assembly and attach to J-box.
2. Thread wire through nipple on canopy assembly letting canopy assembly slide down wire.
3. Thread wire through center hole of mounting strap. Determine the correct hanging height and secure strain relief to wire above the mounting strap.
4. Connect black and white wires to corresponding wires from J-box. Connect green wire to green ground screw on strap.
5. Slide canopy assembly up wire and screw nipple into the center hole of strap until canopy is flush to ceiling.



Care & Cleaning

- Dust with a soft cloth.
- Dampen with water only, if necessary.
- No cleaners.