









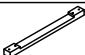







ASSEMBLY INSTRUCTIONS & Parts Identification Model Name:888-72

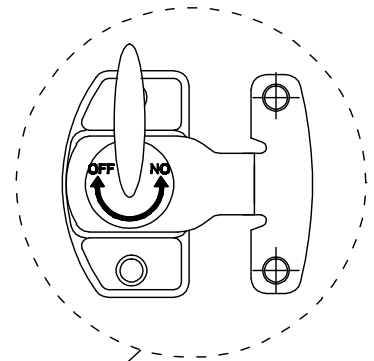
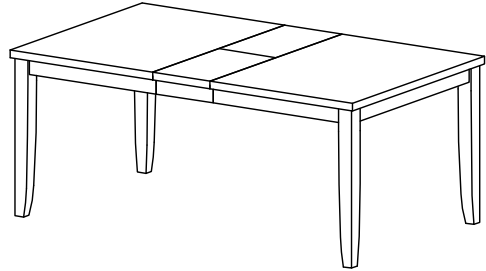
HARDWARE & PARTS LIST

PARTS LIST

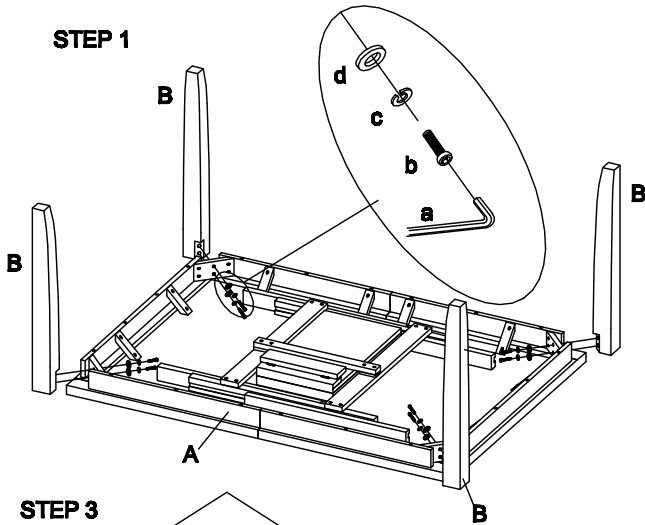
NO	NAME	DESCRIPTION	FIGURE	Q'TY
A	888-72P24	TABLE TOP		1pc
B	888-72P02	LEG		4pcs
C	888-72P01AC	APRON CATCH		2pcs
D	888-72P01AH	APRON HINGE		2pcs
E	888-72P01H	LEAF HINGE		4pcs
F	888-72P13	SLIDER MECHANISM		2pcs
G	888-72P13L	LEAF LOCK		4pcs
H	888-72P24SP	BOTTOM SUPPORT PANEL		1pcs
I	888-72P26S	LEAF SWIVEL HINGE		2pcs
J	888-72P26G	LEAF LEVEL ADJUSTER		8pcs
K	888-72P36	LEAF SUPPORT		1pc
L	888-72P01F	FLOOR GLIDE		4pcs

HARDWARE LIST

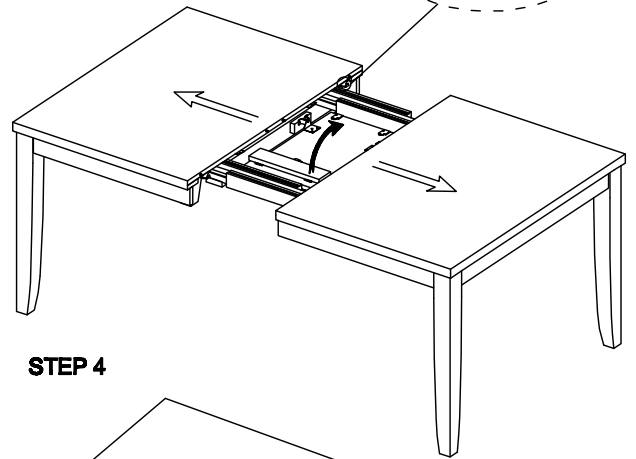
NO	PART NO	DESCRIPTION	FIGURE	SPECIFICATION	Q'TY
a	888-72P01	Allen Wrench		M5mm	1pc
b		Allen Bolt		Ø5/16"x2"	8pcs
c		Lock Washer		Ø5/16"x12mm	8pcs
d		Washer		Ø5/16"x22mm	8pcs



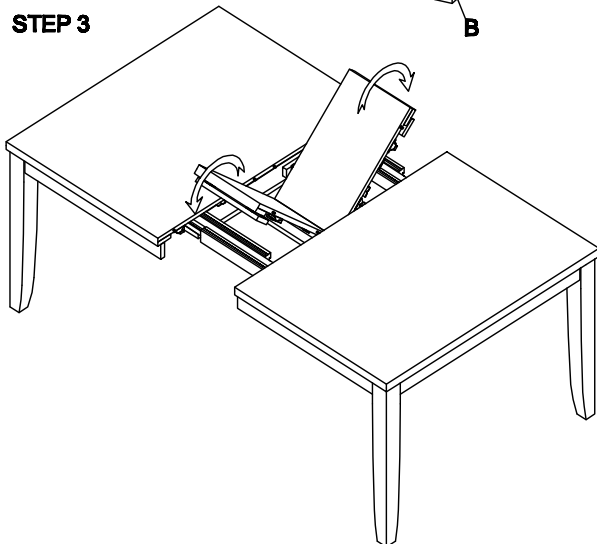
STEP 1



STEP 2



STEP 3



STEP 4

