



Product set up. Photo: Kaslov Studio

**Weblink**  
228

**Design**  
Poul Henningsen

**Concept**  
PH 3-2½ Bollard provides mainly downward illumination. The Bollard is based on the principle of a reflecting multi-shade system, creating harmonious and glare free illumination. The shades are drawn over a logarithmic spiral with the center of the light source placed in the spiral's focal point.

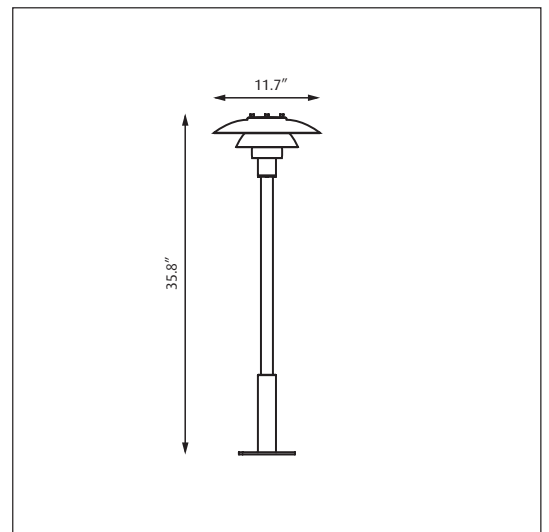
**Finish**  
Copper plated, brushed. Black, powder coated.

**Material**  
Top shade: Spun stainless steel or spun untreated copper. Middle/lower shade: Black or copper plated, spun stainless steel. Shadeholder: Die formed glass. Post: Black or copper plated, stainless steel.

**Mounting**  
Base plate dimension: 5.9" diameter. Base plate: Mounted to a concrete base with 3 anchor bolts.

**Weight**  
Max. 15 lbs.

**Label**  
cUL, Wet location. IBEW.



Product code	Light source	Voltage	Finish
PH3-2½B	1/60W/A-19/IF medium	120V	BLK COP

Info notes:  
 I. The bollard is supplied without basecover.  
 II. Copper variants are untreated copper that will develop a verdigris patina.  
 III. The comparable EU version has the following classification: Ingress Protection Code: IP44.

