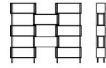
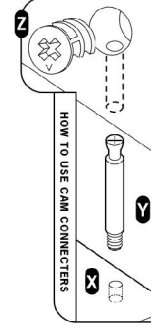
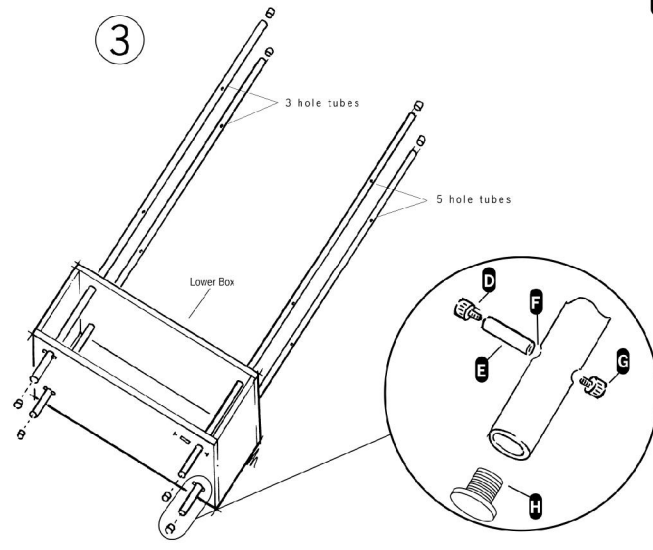
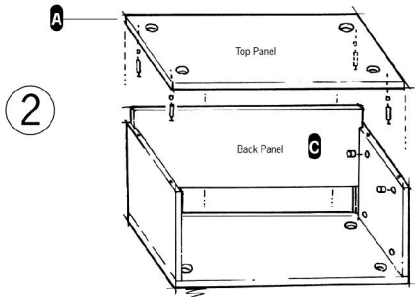
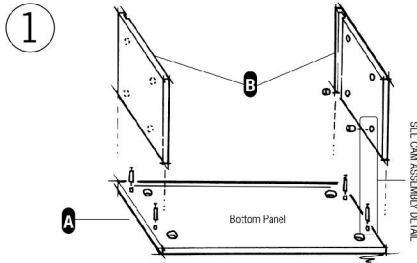


# Assembly Notes



# CHICAGO 8 BOX



## Take a break!

Assemble on carpet or protective mat.  
 Before beginning, familiarize yourself with using cam connectors. (see insert right corner)  
 Assemble near place of use, travel is discouraged without disassembly.

- 1 ASSEMBLE ALL 8 BOXES FIRST: SEE SKETCHES 1 AND 2.
- 1 | Screw the cam posts into the pre-drilled holes on the top panel **A** and bottom panel **A**.
- 2 | Insert the cams into the holes on the sides of the side panels **B**, making sure the arrows on the cams point towards the drilled edge (top) of the panel.
- 3 | Slide the side panels down onto the installed cam posts on the bottom panel making sure the cams face the inside of the box. Tighten cams.
- 4 | See sketch 2. Slide the back panel **C** into the slot on the side panels.
- 5 | Set the top panel to the side panels. Tighten cams.

- 6 | See Sketch 3. With the box on its back, thread the bottom of a tube through the hole. **NOTE: THE BOTTOM OF A TUBE IS THE END WITH HOLES CLOSEST TO THE END. GET**
- Review the stop pin detail in the circle above. Screw one stop screw **D** to each of the
- Slide the shelf pins through the bottom holes only in the steel legs **E** and secure in p
- in additional stop screws **G** from the other side of the legs. Repeat process for all t
- assembly looks like Sketch 3. Screw the foot levelers **H** into the bottoms of the legs,
- black caps into the top end.
- NOTE: THE LEVELERS MUST BE INSTALLED AFTER THE LEGS HAVE BEEN THREADED**
- LOWER BOX.**
- From this point on two people are required. See Vertical Building Notes on back.**

**HARDWARE INVENTORY**

- 64 cams
- 64 cam posts
- 32 sets : stop pins
- 8 black caps
- 8 Foot Levelers

**WOOD COLOR ONE-YEAR TIME:** Air and daylight will naturally change the color of the wood. For most woods, this change is gradual and very slight. During the first several months, while the patina is developing, items placed on the wood should be rotated to different locations to prevent uneven coloration. Over time an even patina will develop.

BLU DOT DESIGN AND MANUFACTURING,  
[www.bludot.com](http://www.bludot.com) / 1.612.782.1844