

BLU  
DOT

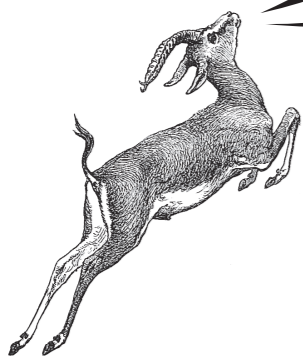
# BLUR

## ASSEMBLY NOTES

1, 2, AND YOU'RE  
THROUGH!

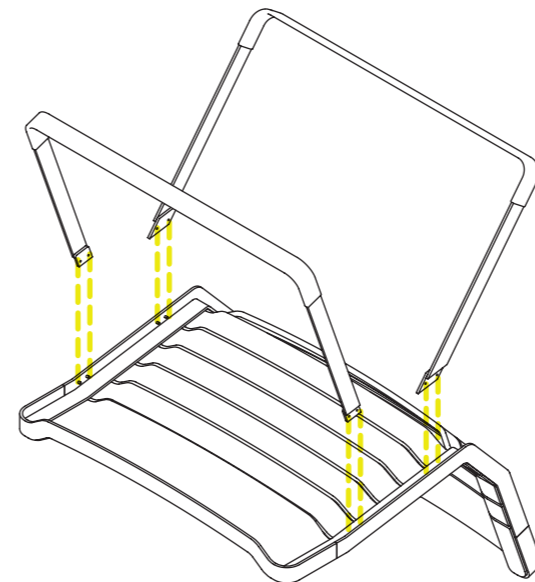
### CARE

Clean wood slats with a slightly damp, soft cloth. To remove dirt and fingerprints, use a quality cleaner formulated for wood furniture. Wipe completely dry with a soft cloth in the direction of the wood grain. Clean powder-coated legs and frame with a soft cloth or sponge using a mild detergent, such as dish soap. Wipe completely dry with a soft cloth.

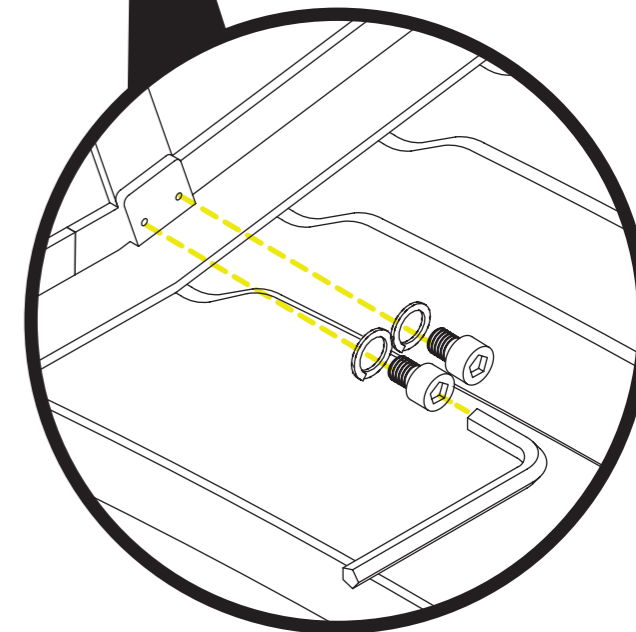
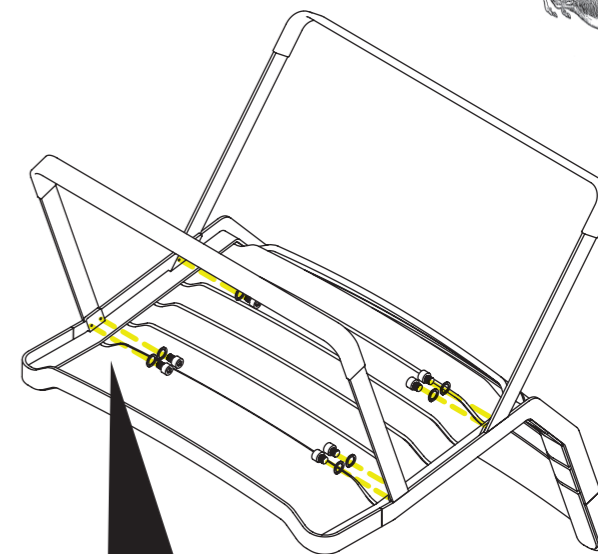


Assemble on carpet  
or protective mat

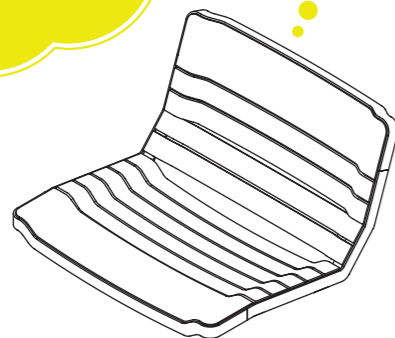
1



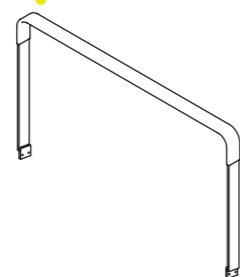
2



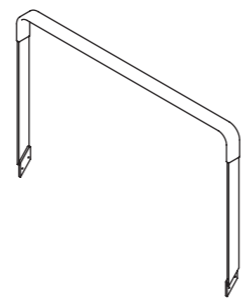
### PARTS



x1



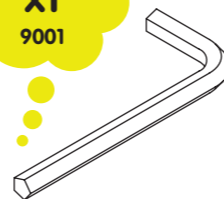
x1



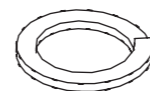
x1

### HARDWARE

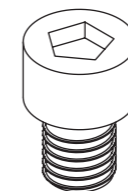
x1  
9001



x8  
3001



x8  
1006



x1  
9001



x8  
3001



x8  
1006

