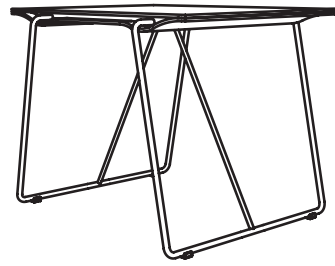
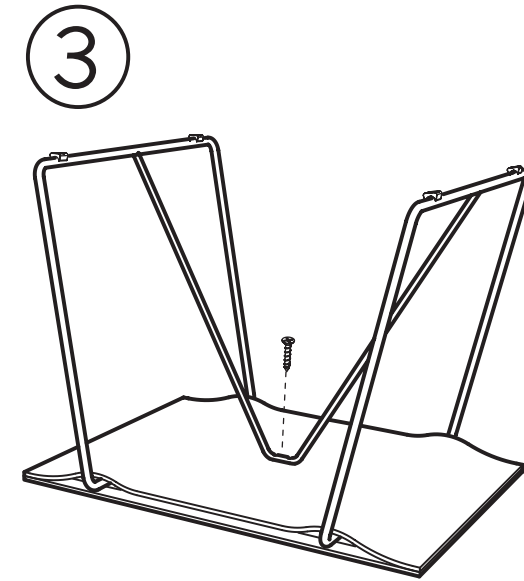
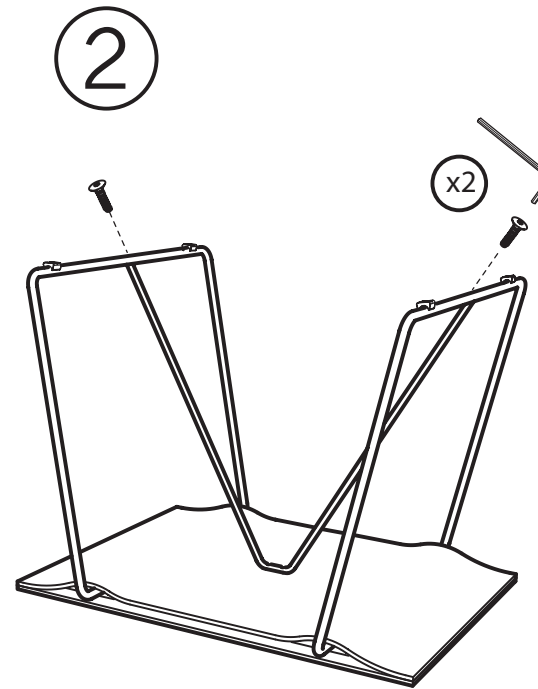
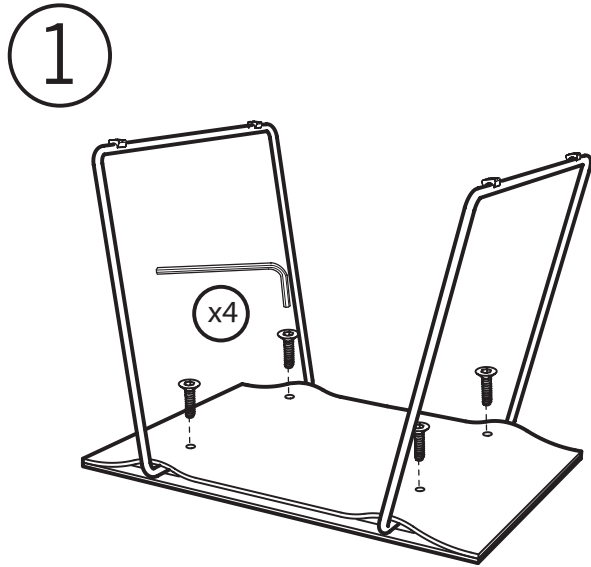


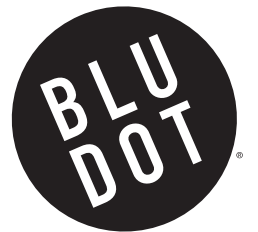
Assembly Notes



RIPPLE SIDE TABLE



Assemble on carpet or protective mat.



- 1 Take a moment to familiarize yourself with the furniture components and hardware before you start. Breathe deeply.
- 1 When you're ready to begin, lay the top on the floor, with the bottom facing up. Stand the legs up as shown in Figure 1 and use the large hex wrench to fasten the legs into place. You may want to have a helper hold the legs upright and steady while you tighten the screws.
- 2 Working from Figure 2, align the leg brace under the legs. Use a short screw and the small hex wrench to secure the brace to each leg.

- 3 Fasten the leg brace to the table top using a philips head screwdriver and the long screw provided. Refer to Figure 3.
- Garnish with an objet d'art, and c'est fini! No, Hummels do NOT count. Then step back and enjoy your new Ripple.

REV 2 03.20.07

HARDWARE INVENTORY



BLU DOT DESIGN AND MANUFACTURING, INC. copyright 2007.
www.bludot.com / t. 612.782.1844 / f. 612.782.1845