

BLU
DOT

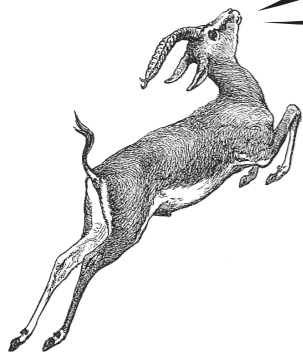
BLUR

ASSEMBLY NOTES

1, 2, AND YOU'RE
THROUGH!

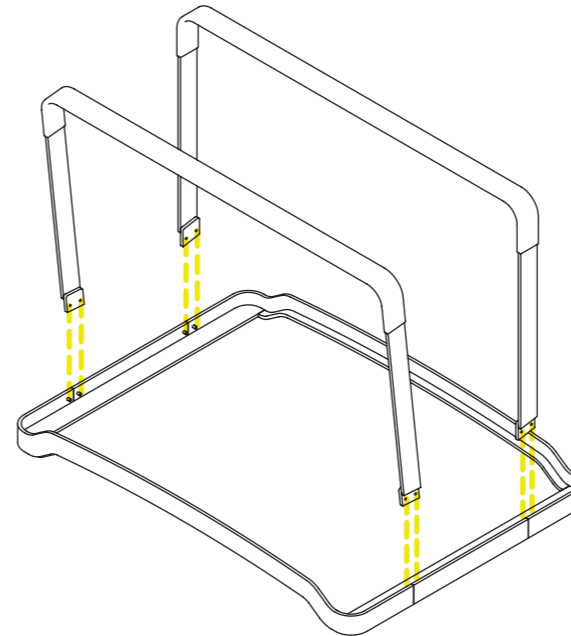
CARE

Clean wood slats with a slightly damp, soft cloth. To remove dirt and fingerprints, use a quality cleaner formulated for wood furniture. Wipe completely dry with a soft cloth in the direction of the wood grain. Clean powder-coated legs and frame with a soft cloth or sponge using a mild detergent, such as dish soap. Wipe completely dry with a soft cloth.

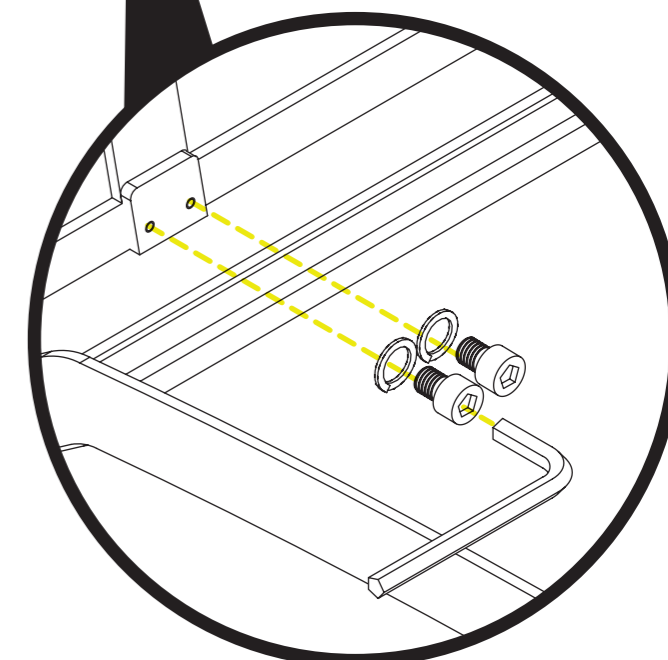
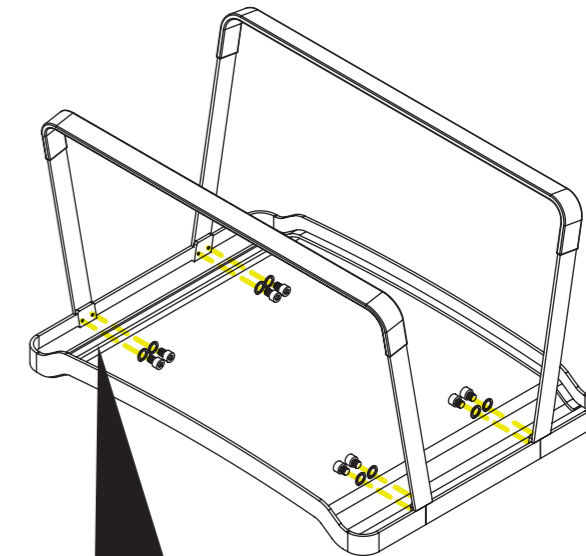


Assemble on carpet
or protective mat

1

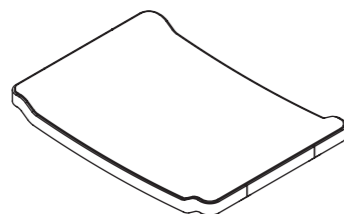


2

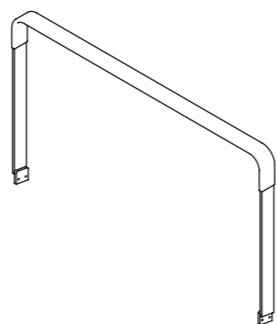


PARTS

x1

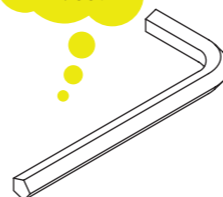


x2



HARDWARE

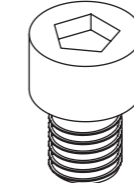
x1
9001



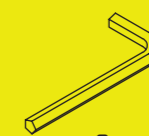
x8
3001



x8
1006



x1
9001



x8
3001



x8
1006

