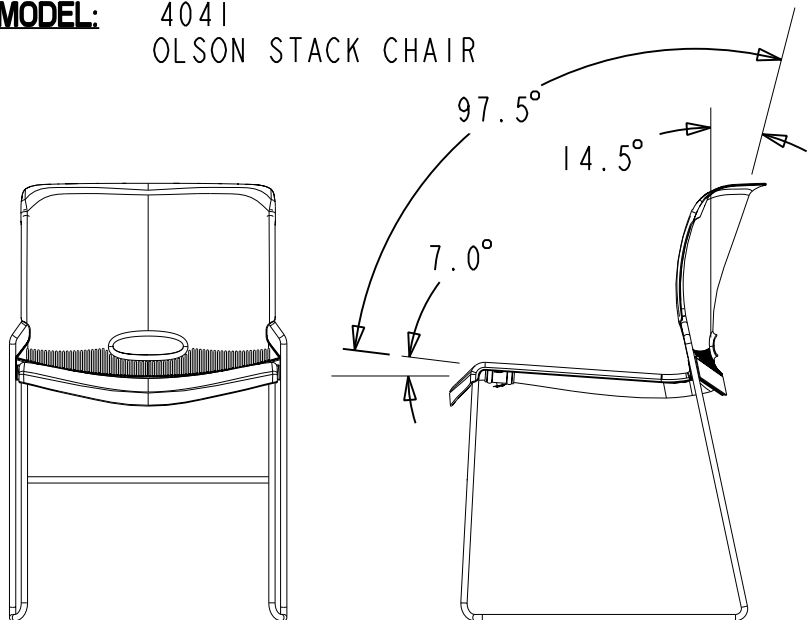


MODEL: 4041
OLSON STACK CHAIR



CHAIR SPECIFICATIONS:

MAX. WIDTH.....19-1/8
MAX. DEPTH.....21-5/8
MAX. HEIGHT.....30 5/8

SEAT SIZE:

WIDTH.....17 3/4
DEPTH.....18-1/4
USABLE DEPTH.....17
HEIGHT FROM FLOOR..17 3/4

BACK SIZE:

WIDTH.....17 1/2
HEIGHT.....16 1/4
HEIGHT FROM SEAT...16-1/4
LUMBAR FROM SEAT...10-3/4

CONSTRUCTION:

- Glide..... Frosted polycarbonate available in Glide packs Model 4048 Ganging and Model 4049 Non-ganging
- Frame..... Chrome 7/16" diameter steel wire.
- Seat..... 1/8" thick textured polymer.
- Back..... 1/8" thick textured polymer.
- Chair Weight..... 12.5 pounds per chair.
- Shipping Weight..... 57 pounds (4 pack).
- Shipped..... Completely assembled, (4) per carton.
- Shipping Size..... 26" length X 20-1/2" width X 34-1/2" depth (10.64 cubic feet)
- Flammability Rating..... Furnished upon request by The HON Company Customer Service. Model 4041 meets the State of California Department of Consumer Affairs Technical Bulletin 117 requirements.

Issue Date..... 05-31-01
Part Number..... 53-4240

HON THE HON COMPANY

MODEL :

4041

PART NO

DWG
REV

TITLE

CHAIR SPECIFICATION

53-4240

A

SHEET 2 OF 2

Dwn

3-8-99
LS

Clrd

App

(A) (1102) REVISED GLIDES (P.D.M. & REL. NO.) 05-31-01
DT4124 & 12-4332-1 GL CZ



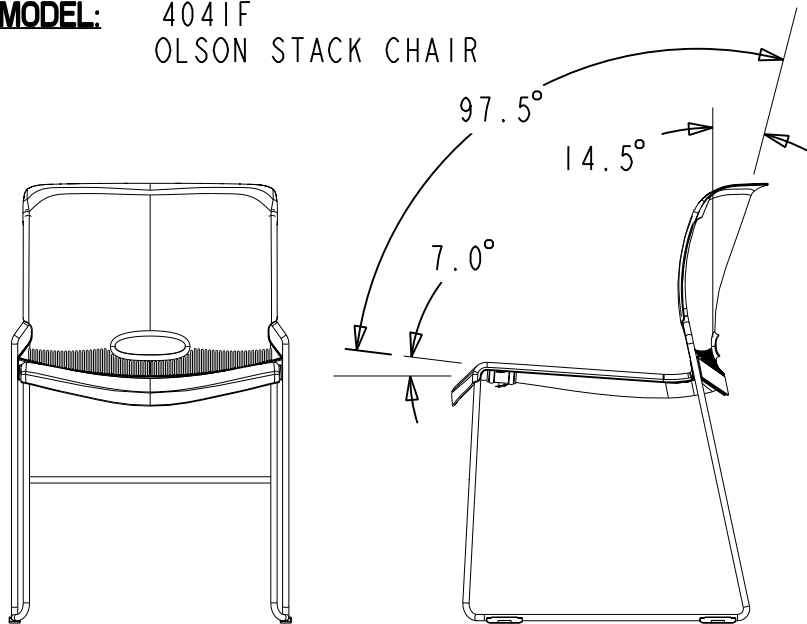
REVISION NOTES

**FOR VIEWING ONLY
DO NOT PRINT**

CADD

53-4240

MODEL: 4041F
 OLSON STACK CHAIR



CHAIR SPECIFICATIONS:

MAX. WIDTH.....19-1/8
 MAX. DEPTH.....21-5/8
 MAX. HEIGHT.....30 5/8

SEAT SIZE:

WIDTH.....17 3/4
 DEPTH.....18-1/4
 USABLE DEPTH.....17
 HEIGHT FROM FLOOR..17 3/4

BACK SIZE:

WIDTH.....17 1/2
 HEIGHT.....16 1/4
 HEIGHT FROM SEAT...16-1/4
 LUMBAR FROM SEAT...10-3/4

CONSTRUCTION:

- Glide..... Frosted polycarbonate available in Glide packs.
 Model 4048 Ganging and Model 4049 Non-ganging.
- Frame..... Chrome 7/16" diameter steel wire.
- Seat..... 1/8" thick textured fire retardant polymer.
- Back..... 1/8" thick textured fire retardant polymer.
- Chair Weight..... 12.5 pounds per chair.
- Shipping Weight..... 57 pounds (4 pack).
- Shipped..... Completely assembled, (4) per carton.
- Shipping Size..... 26" length X 20-1/2" width X 34-1/2" depth
 (10.64 cubic feet)
- Flammability Rating..... Furnished upon request by The HON Company Customer
 Service. Model 4041F meets the State of
 California Department of Consumer Affairs Technical
 Bulletin 133 requirements.

Issue Date..... 05/31/01
 Part Number..... 53-4240FC

HON THE HON COMPANY		MODEL:		4041F		PART NO		DWG REV	
TITLE		CHAIR SPECIFICATION				53-4240FC		A	
		Dwn 6-22-99 GDL		Ctd		APP		SHEET 2 OF 2	

(A) (1102) REVISED GLIDES (P.D.M. & REL. NO.) 05-31-01
DT424 & 12-4332-1 GL CZ ←

REVISION NOTES

**FOR VIEWING ONLY
DO NOT PRINT**

CADD

53-4240FC