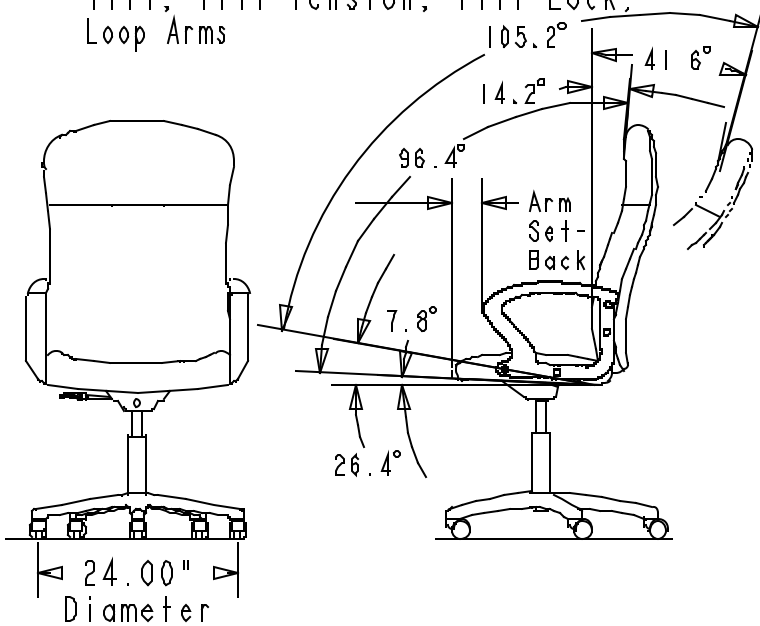


MODEL: 2071

High-Back, Pneumatic, Swivel,
Tilt, Tilt Tension, Tilt Lock,
Loop Arms



CHAIR SPECIFICATIONS

Max. Width.....	27-1/2
Max. Depth.....	36-1/4
Max. Height.....	47-5/8

SEAT SIZE

Width.....	20-1/4
Usable Depth.....	16-5/8
Height from Floor.....	18-7/8 - 23-7/8

BACK SIZE

Width.....	20-3/4
Height from seat.....	28

BACK LUMBAR

Lumbar from seat.....	6
-----------------------	---

ARM SIZE

Distance Between Arms...	20-3/4
Height from floor.....	25-3/4 - 30-3/4
Height from Seat.....	9-7/8
Width.....	3
Length.....	7-7/8
Arm Set-Back.....	4-1/2

CONSTRUCTION

- Caster..... Monochromatic hooded 2" diameter dual wheel.
- Base..... 5 leg injection molded plastic base.
- Control..... Black heavy gauge steel, swivel tilt, tilt lock, 17-4 taper.
- Seat..... 1/2" thick, 5-ply curved plywood, 3-1/2" thick contour shaped foam.
- Back..... 1/2" thick, 5-ply curved plywood, 3" thick urethane foam cushion.
- Arm..... Plastic ,Loop Style
- Upholstery..... See dealer Net Pricer. Customer own material (COM) required yardage per SKU = 2.5 yds.
- Chair Weight..... 35 pounds.
- Shipping Weight..... 44 pounds.
- Shipped..... Knock Down, tee-pee style.
- Shipping Size..... 27.00" wide x 38.50" deep x 19.50" high (11.73 cubic feet)
UPS Shippable.
- Flammability
Rating..... Furnished upon request by THE HON Company Customer Service.
- Special Features... A pneumatic gas cylinder is used for seating height adjustment of chair.

Note..... All measurements are per BIFMA/CMD procedures.

Issue Date: 03-07-05
Part Number: 53-9243