




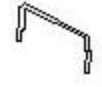
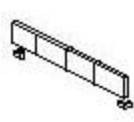


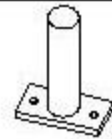


LUCCA STORAGE

FULL, QUEEN, CK AND, EK SIZE ASSEMBLY INSTRUCTIONS

| | | | | | | | | | | | |
|---|------------------|---|------|---|-------------------|---|------|---|-----------------|--|------|
| A | Headboard |  | 1pc | E | Mattress Support |  | 1pcs | I | Corner Brackets |  | 2pcs |
| B | Side Rails |  | 2pc | F | Center Support |  | 1pc | J | Mattress holder |  | 1pc |
| C | Footboard |  | 1pc | G | Center feet |  | 3pcs | | | | |
| D | Supporting Board |  | 2pcs | H | Feet base support |  | 3pcs | | | | |

K -3 *Bolt $\frac{5}{16}$ "*3"



L -6 *Bolt $\frac{5}{16}$ "* $\frac{1}{2}$ "



M -12 *Bolt $\frac{1}{4}$ "*1"



N -6 *Bolts M6*48



O -1 *WRENCH $\frac{1}{4}$ "



P -1 *WRENCH $\frac{5}{16}$ "



X1 -9 *NUT $\frac{5}{16}$ "



X2 -2 *NUT M8



R -1 *WRENCH $\frac{5}{16}$ "



Y -1 *WRENCH M8



Z -1 *WRENCH M6



S -18*FLATWASHER $\frac{5}{16}$ "



T -12*FLATWASHER $\frac{1}{4}$ "



U -12 *Lock Washer $\frac{5}{16}$ "



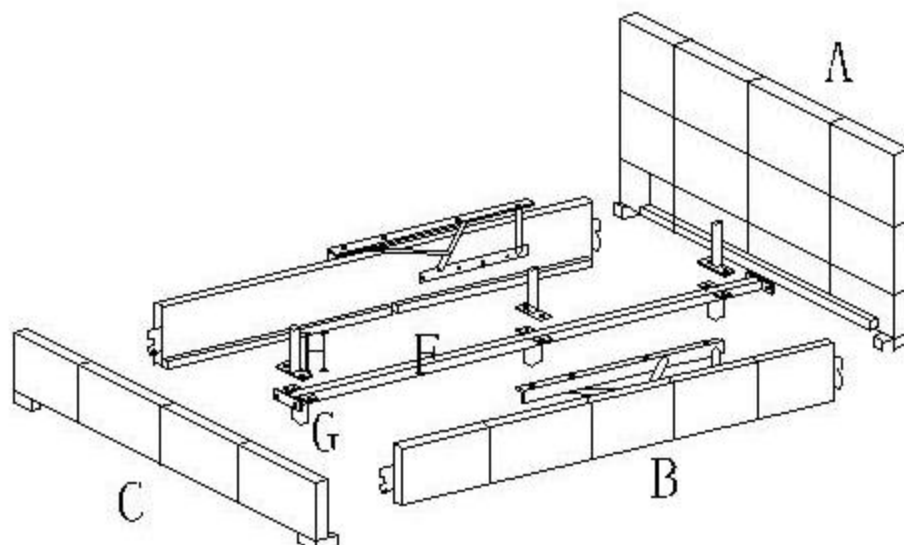
V -12 *Lock Washer $\frac{1}{4}$ "



X3 -6 *NUT M6



*Please take off the protect board of FB before assembling

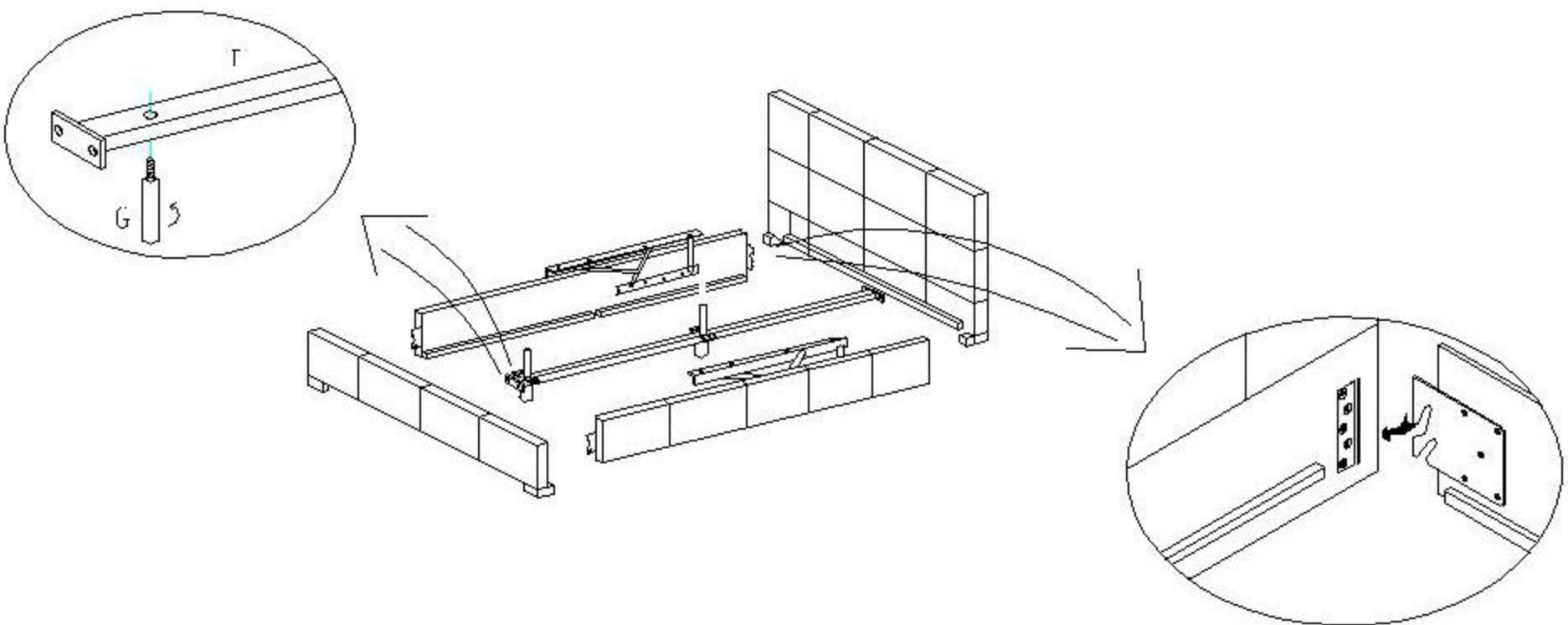


LUCCA STORAGE

FULL. QUEEN. CK AND. EK SIZE ASSEMBLY INSTRUCTIONS

Step 1

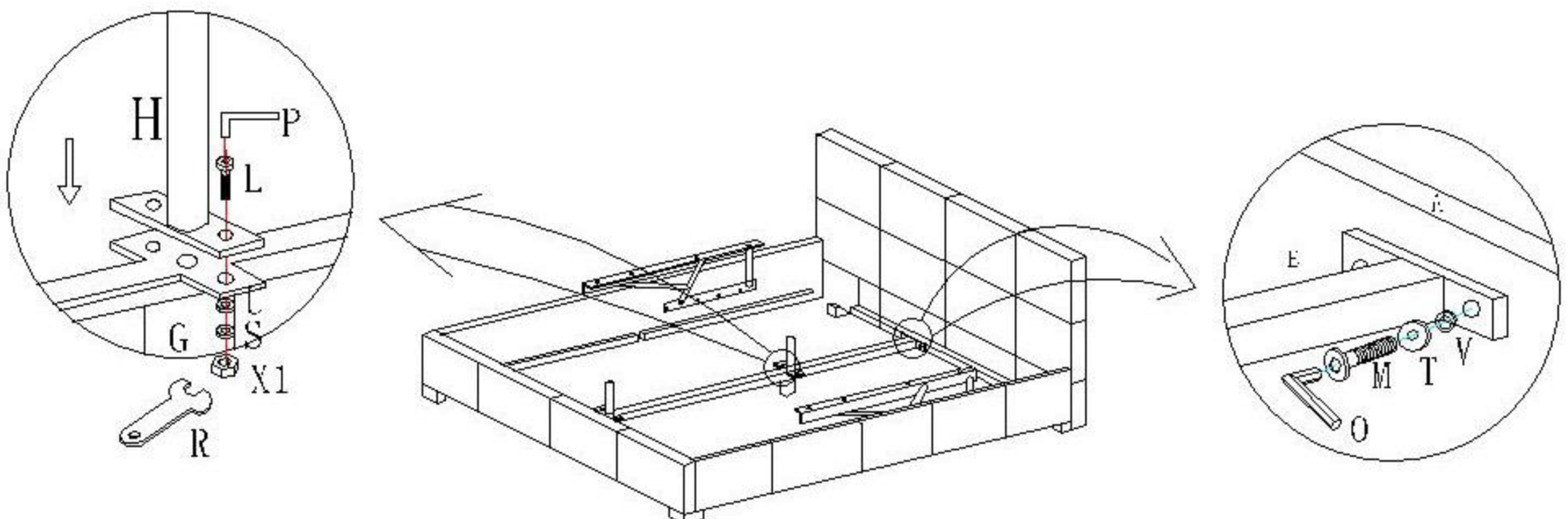
Put the hook of rail inside the HB, FB directly without any hardware.



Step 2

Place center support E between Headboard and Footboard. Insert Bolt M and Washer T, V thru plates in ends of center Support and tighten into bottom edge of Headboard and Footboard.

Insert Bolt L and Washer T, V Thru post H plate for foot in middle of center Support E and Washer T, V and Secure with Hex nuts G

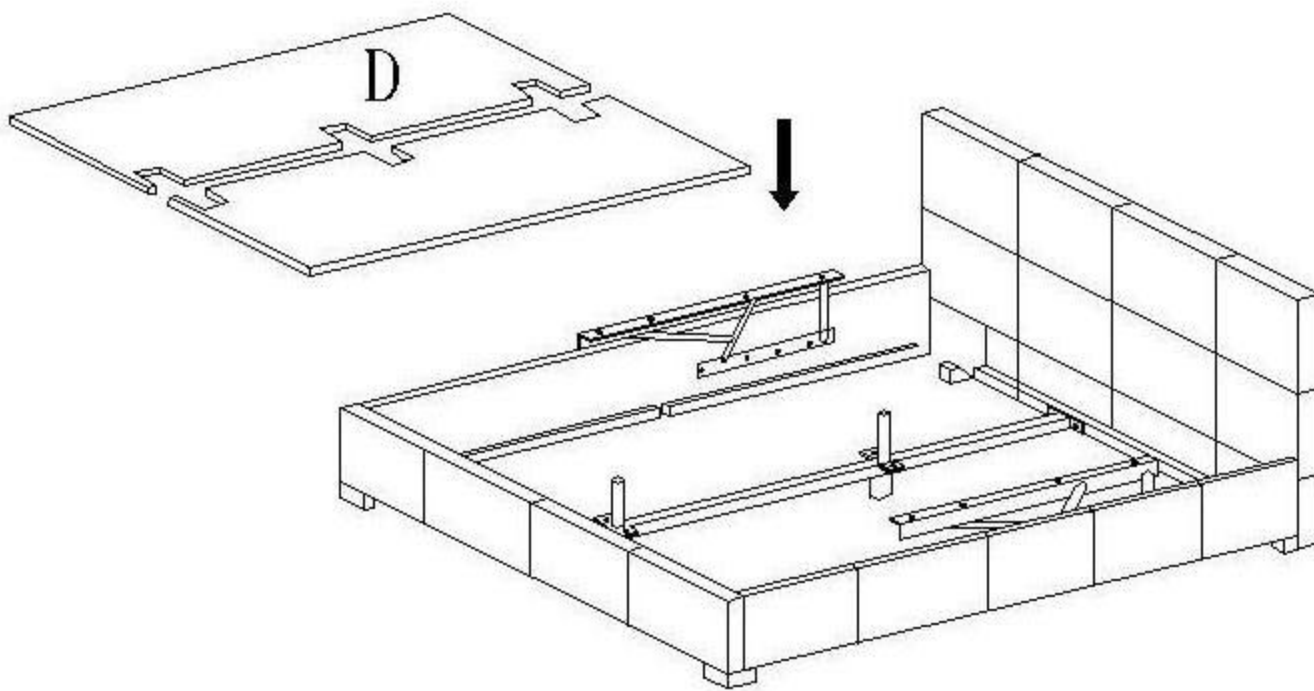


LUCCA STORAGE

FULL. QUEEN. CK AND. EK SIZE ASSEMBLY INSTRUCTIONS

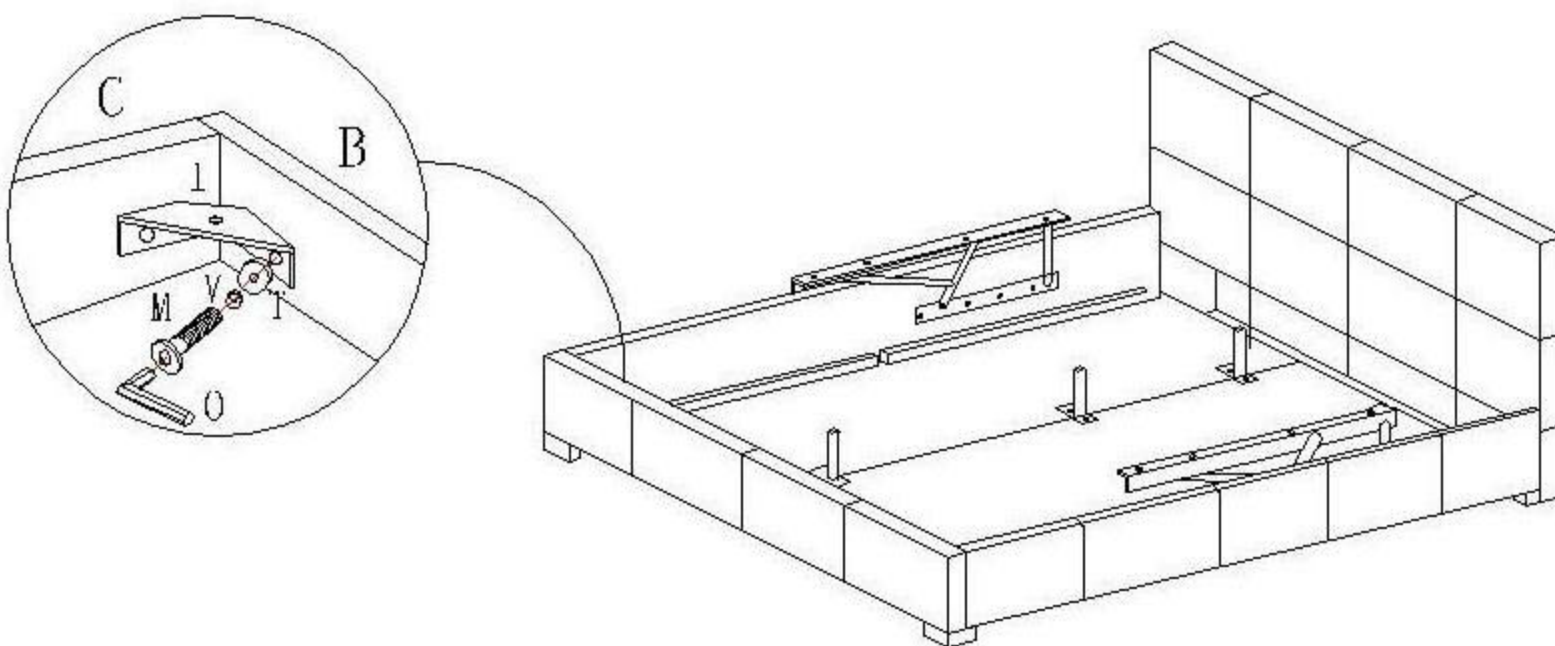
Step 3

Lay Bottom Boards D inside the frame.



Step 4

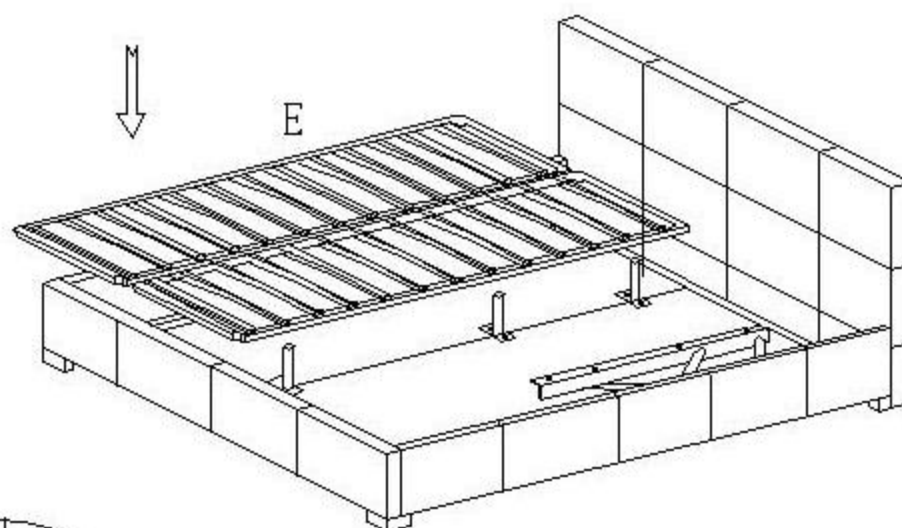
Insert Screws M and Corner Brackets and tighten into Footboard B and Rails C.



LUCCA STORAGE

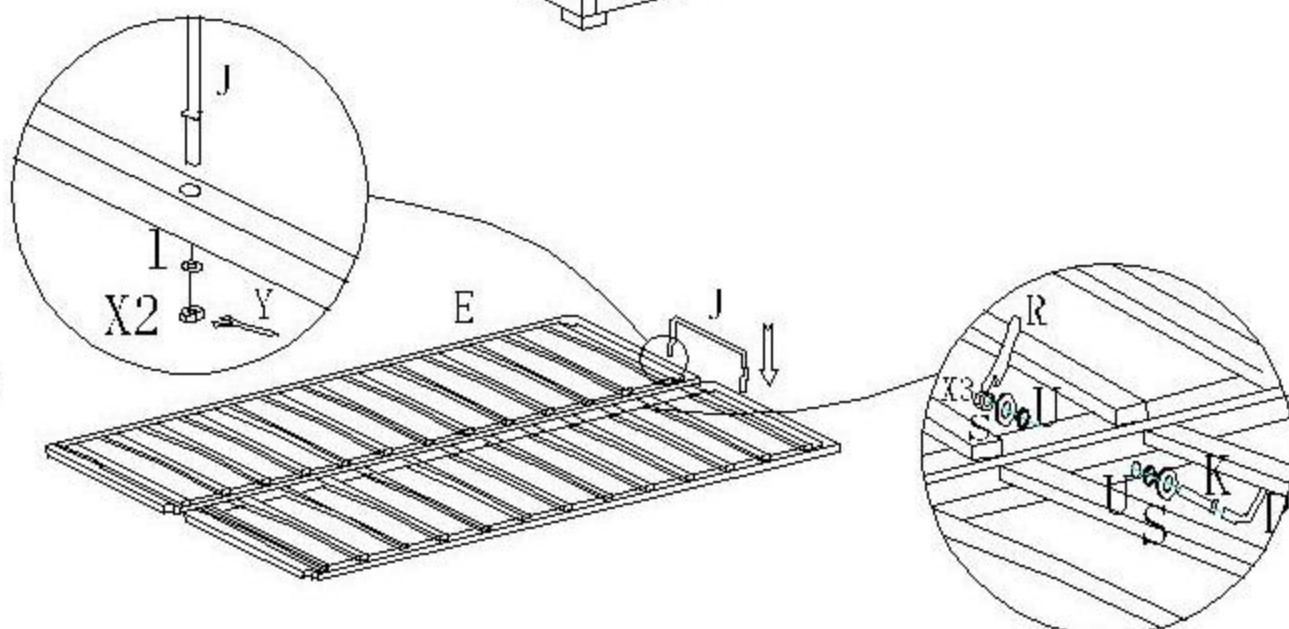
FULL. QUEEN. CK AND. EK SIZE ASSEMBLY INSTRUCTIONS

Step 5
Lay Mattress Support(E) inside the frame



Step 6
Insert Mattress holder(J) thru holes in head of Bed frame and Secure With Nuts X2, Washers and Wrench(R)

Step 7
Unfold Bed Frame(E) Insert bolt(K), Secure with two flat Washers and two lock washers by wrench(P,Q)



Step 8
Let Mattress Frame assemble on top of Hinges. Align holes in Mattress Frame with holes in Hinges. Inserts Bolts N and washer T, thru Mattress Frame Hinges and Washers V, secure with Hex Nuts Z.

