

ASKO Logic Dishwasher



# D5554XXLFI

## D5554XXLFI

Type: Fully integrated  
Colors: Fully Integrated (FI) model  
accommodates a selection of accessory door  
panels or customer supplied custom wood panel.

### PERFORMANCE

Capacity: 17 place settings  
Noise level 46 dB(A)  
9Spray™ System, PowerZone™ Pots & Pans,  
PowerZone™ Plate, PowerZone™ Cutlery

### PROGRAMS

Time	Heavy	Normal
Daily	Quick	Super Quick
Delicate	Eco	Mixed
Rinse and Dry	Rinse & Hold	
Upper Wash	Lower wash	
Super Quick program in 15 minutes!		

### FEATURES

7 Temperatures, Turbo drying™, Delayed start  
1-24 h, Time set, Time saver, Status Light™, Hidden  
control, LCD display, Halogen interior light, Front-  
adjusting rear leg for easy installation, Front-adjusting  
door springs, Uses as little as 2.6 gals of water in  
Quick wash, Energy Star rated, 2 Plus 1 warranty

### FLEXIRACKS™

Exclusive upper rack accommodates:  
World's only 3 rack, 5 basket dishwasher; 9" - 7  
1/2" items, 5 rows of glasses capacity, Fold-down  
stemware shelves, Upper & lower rack handles,  
Exclusive: World's most usable capacity, Exclusive  
height-adjustable upper rack  
Exclusive lower rack accommodates:  
15 1/4" dishes, Fold-down tines for storage flexibility,  
Wide tine design for large bowls and platters  
Middle rack, Cutlery basket



MADE IN  
SWEDEN

**Exclusive 3 rack, 5 basket design,  
Exclusive World's Most Usable Capacity - 17 place settings!  
World's tallest loading height!**



Asko Appliances, Inc  
PO BOX 940609 • Plano • Texas • 75094  
Phone 800.898.1879  
[www.askousa.com](http://www.askousa.com)

# XXL TALL TANK MODELS

## Planning & Design: XXL Dishwashers

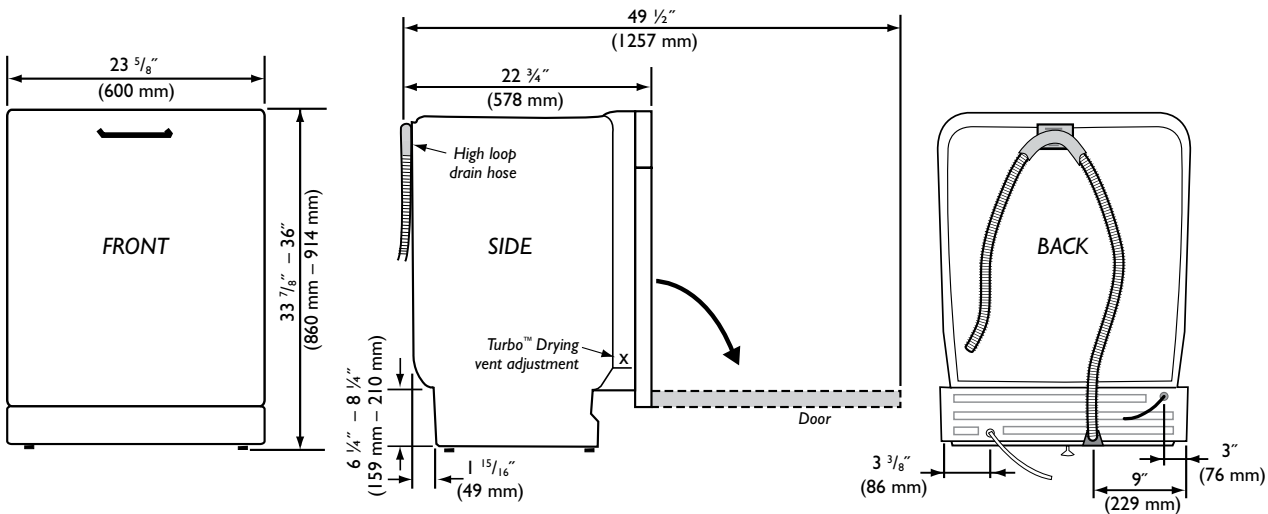
### D5524XXLFI, D5534XXLFI, D5554XXLFI, D5894XXLFI

#### Unit Dimensions

	US	METRIC
HEIGHT:*	33 <sup>7</sup> / <sub>8</sub> " – 36"	860 – 914 mm
WIDTH:	23 <sup>5</sup> / <sub>8</sub> "	600 mm
DEPTH:	22 <sup>3</sup> / <sub>4</sub> "	578 mm
DEPTH W/DOOR OPEN:	49 <sup>1</sup> / <sub>2</sub> "	1257 mm
WEIGHT:	94 lbs	43 kg

#### Technical Data

Electricity	120 V, 60 Hz, 15 Amp
Water pressure	18 – 176 psi
Heating element	1200 watt
Max loading	1300 watt



Toe kick reveal height will be the dishwasher installation height minus the door panel height.

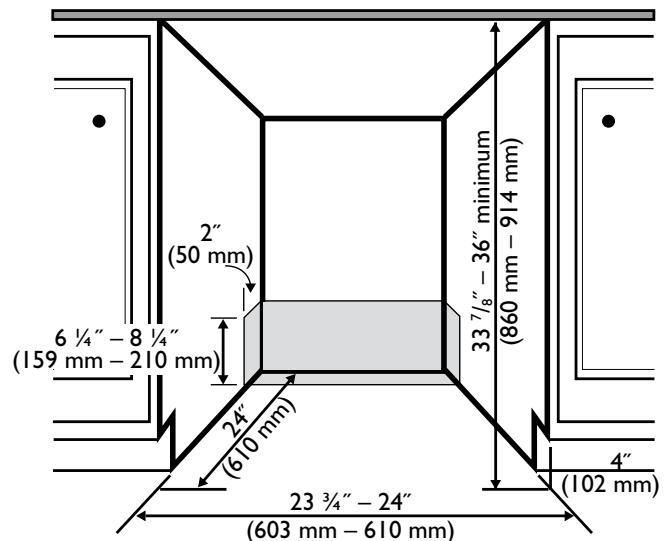
#### Custom Front Panels

The D5524XXLFI, D5534XXLFI, D5554XXLFI and D5894XXLFI can only be installed with a fully-integrated custom door panel that extends from the desired toe kick height to the counter top. A one-piece accessory door panel selection is also available.

#### Cutout Dimensions

	US	METRIC
HEIGHT:*	33 <sup>7</sup> / <sub>8</sub> " – 36"	860 – 914 mm
WIDTH:	23 <sup>5</sup> / <sub>8</sub> " – 24"	600 – 610 mm
DEPTH:	24"	610 mm

The electrical and water supplies should enter through the area indicated by the shaded area. Preferably, they should come through the right side of the machine. The access hole must be round and smooth and no bigger than 2" (51 mm) in diameter.



\* If accessory FI fill strips are used, then <sup>1</sup>/<sub>2</sub>" (13 mm) must be added to the dishwasher height and cutout. Additionally, <sup>3</sup>/<sub>8</sub>" (10 mm) must be added to the dishwasher width and cutout width.

Specifications are subject to change without notice. See installation instructions for additional details.