



LCD MONITOR Fixed Mount

UF-PRO100

Package contents

ID	Description	Qty
A	Truss Head Screw M4x12	2
B	Truss Head Screw M4x15	4
	Truss Head Screw M4x10	4
C	Truss Head Screw M5x15	4
	Truss Head Screw M5x10	4
D	Lag Bolt ST8X50	2
E	Masonry Wall Anchor Φ10xΦ7x45	2
F	Washer Φ8x1.6	2

SPECIFICATION

10" to 23" LCD
TV/Panel with
VESA Standards
75/100

Load Capacity

20kg (44lbs)

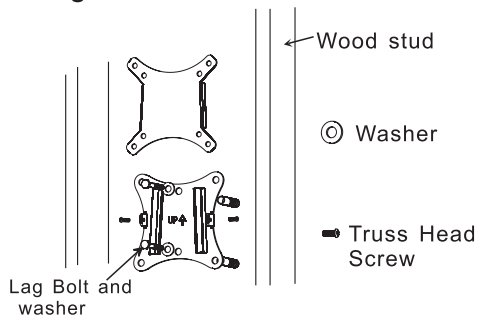


Fig1

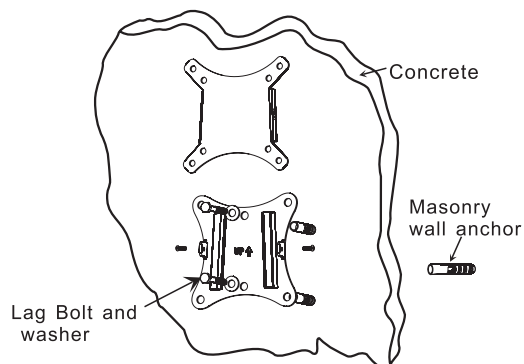


Fig2

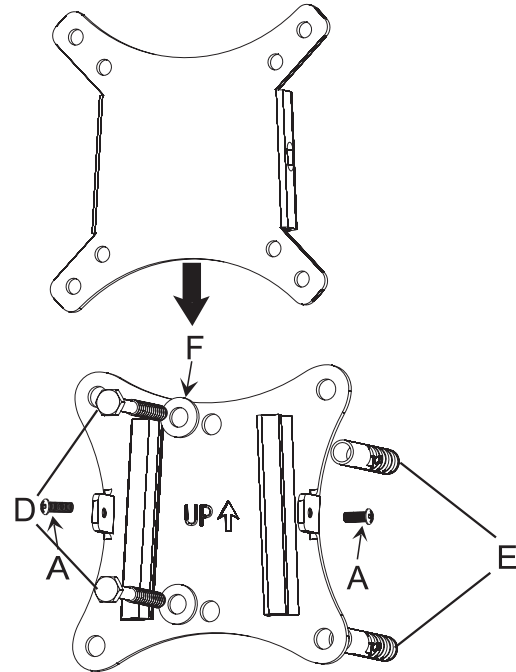


Fig3

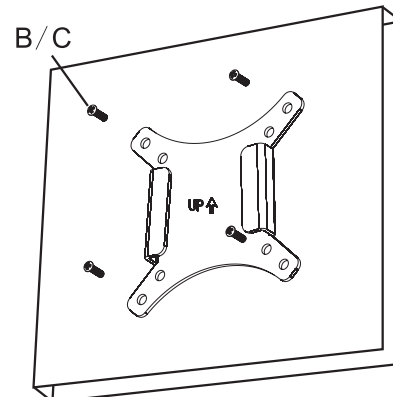
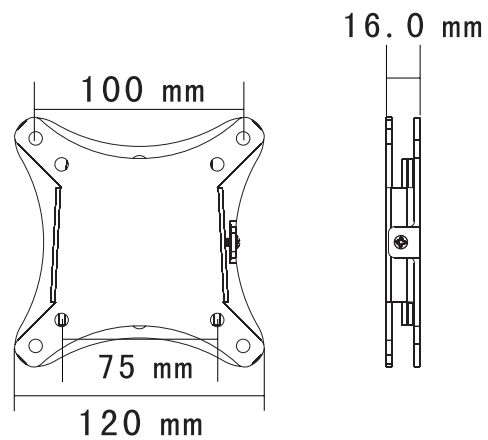


Fig 4