

LINEA ITALIA®

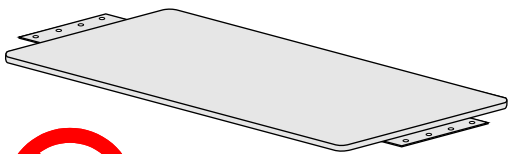
by - CRISA

ASSEMBLY INSTRUCTIONS

INSTRUCTIVO DE ENSAMBLE

BRIDGE 47 1/4 X 23 3/4 IN.

55230



EASY ASSEMBLY WITHOUT TOOLS

A T 7 min

ASSEMBLY TIME

PATENTE EN TRAMITE

PATENT PENDING



OFM, INC

2511 Reliance Ave.  
Apex, NC 27539  
Phone: 800-520-7471  
Fax: 919-362-4765  
Web Site: www.ofminc.com  
E-mail: ofm@ofminc.com

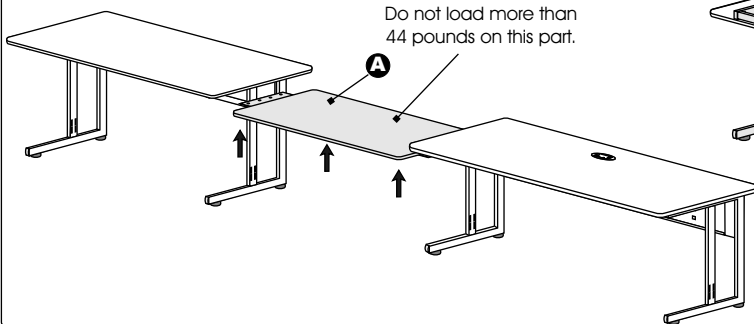
LIST OF PIECES

- A BRIDGE..... (1 PC)
- B SCREWS 8 x 3/4 in.....(8 PC)

LISTA DE PARTES

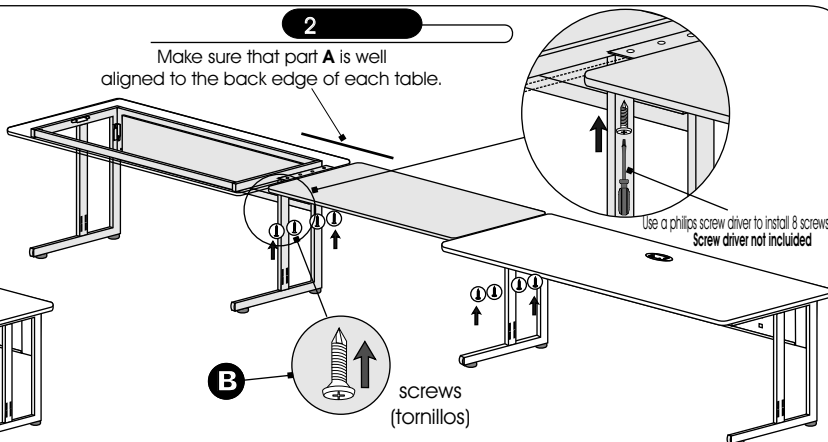
- A CUBIERTA SUPERIOR..... (1 PZ)
- B PIJAS 8 x 3/4 in..... (8 PZ)

1



2

Make sure that part A is well aligned to the back edge of each table.



LINEA ITALIA®

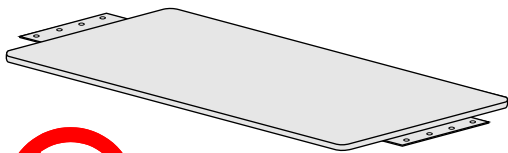
by - CRISA

ASSEMBLY INSTRUCTIONS

INSTRUCTIVO DE ENSAMBLE

BRIDGE 47 1/4 X 23 3/4 IN.

55230



EASY ASSEMBLY WITHOUT TOOLS

A T 7 min

ASSEMBLY TIME

PATENTE EN TRAMITE

PATENT PENDING



OFM, INC

2511 Reliance Ave.  
Apex, NC 27539  
Phone: 800-520-7471  
Fax: 919-362-4765  
Web Site: www.ofminc.com  
E-mail: ofm@ofminc.com

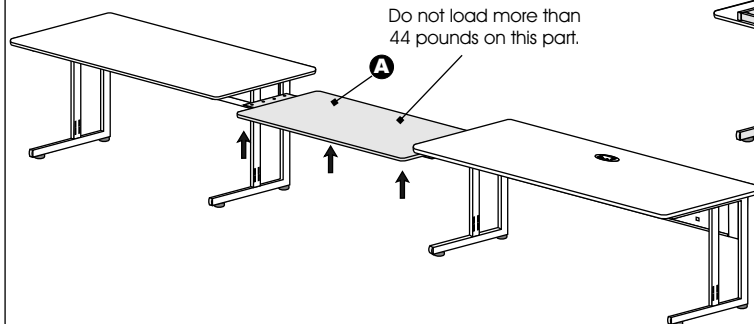
LIST OF PIECES

- A BRIDGE..... (1 PC)
- B SCREWS 8 x 3/4 in.....(8 PC)

LISTA DE PARTES

- A CUBIERTA SUPERIOR..... (1 PZ)
- B PIJAS 8 x 3/4 in..... (8 PZ)

1



2

Make sure that part A is well aligned to the back edge of each table.

