



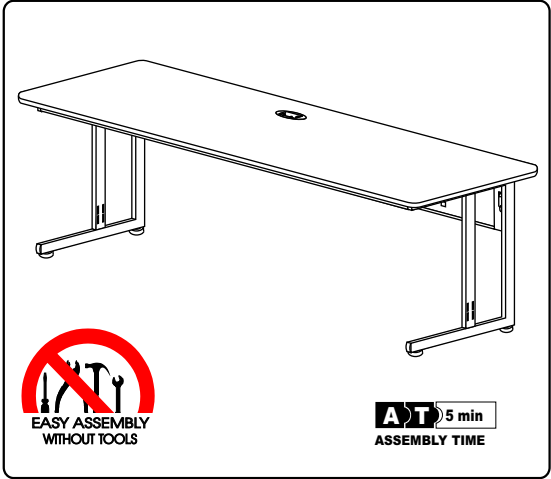
161 traditions trail
 Holly Springs, NC 27540
 Phone: 800-520-7471
 Fax: 919-362-4765
 Web Site: www.ofminc.com
 E-mail: ofm@ofminc.com

ASSEMBLY INSTRUCTIONS

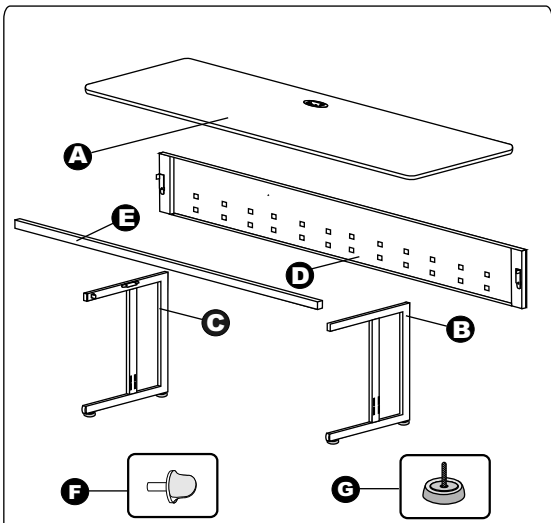
INSTRUCTIVO DE ENSAMBLE

55219

TRAINING TABLE 23 1/2 X 72 IN.



AT 5 min
 ASSEMBLY TIME



- A** TOP SHELF.....(1 PC)
 - B** SIDE (RIGHT).....(1 PC)
 - C** SIDE (LEFT).....(1 PC)
 - D** CENTRAL FRAME.....(1 PC)
 - E** SUPPORT BAR.....(1 PC)
 - F** SAFETY KNOB 14.6 MM.....(2 PCS)
 - G** LEVELING KNOB.....(4 PCS)
-
- A** CUBIERTA SUPERIOR.....(1 PZA)
 - B** LATERAL DERECHO.....(1 PZA)
 - C** LATERAL IZQUIERDO.....(1 PZA)
 - D** MARCO CENTRAL.....(1 PZA)
 - E** BARRA DE SOPORTE.....(1 PZA)
 - F** REGATONES DE SEGURIDAD 14.6 MM.....(2 PZAS)
 - G** REGATON NIVELADOR.....(4 PZAS)

LINEA ITALIA®

