



161 traditions trail  
 Holly Springs, NC 27540  
 Phone: 800-520-7471  
 Fax: 919-362-4765  
 Web Site: www.ofminc.com  
 E-mail: ofm@ofminc.com

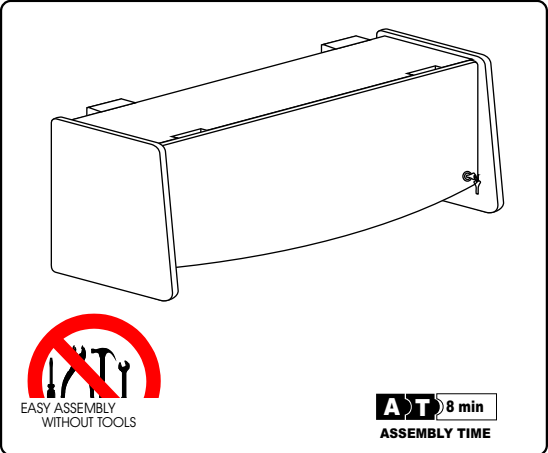
LINEA ITALIA®

# ASSEMBLY INSTRUCTIONS

INSTRUCTIVO DE ENSAMBLE

MOD.55175

HANGING HUTCH WITH LOCK



EASY ASSEMBLY  
WITHOUT TOOLS

**AT** 8 min  
ASSEMBLY TIME

PATENT PENDING

PATENTE EN TRAMITE

- A** SIDE ( RIGHT )..... ( 1 PC)
- B** SIDE ( LEFT )..... ( 1 PC)
- C** LID REAR..... ( 1 PC)
- D** BOTTOM..... ( 1 PC)
- E** WORK STATION TOP AND DOOR..... ( 1 PC)
- F** SAFETY KNOB 14.6 MM..... ( 8 PCS)
- G** KEY OF LOCK..... ( 1 PC)

- A** LATERAL DERECHO..... ( 1 PZA)
- B** LATERAL IZQUIERDO..... ( 1 PZA)
- C** TAPA TRASERA..... ( 1 PZA)
- D** FONDO..... ( 1 PZA)
- E** CUBIERTA SUPERIOR Y PUERTA..... ( 1 PZA)
- F** REGATÓN DE SEGURIDAD 14.6 MM..... ( 8 PZAS)
- G** LLAVES PARA CHAPA..... ( 1 PZA)

**1** Attach side panel A to bottom panel D.

**2** Attach side panel B to the other side of bottom panel D.

**3** Attach rear lid panel C to the back of the side panels.

**4** Attach work station top and door panel E to the front of the side panels.

**5** Insert safety knob F into the door panel E.

**6** Insert key of lock G into the door panel E.

**7** Final assembly check.

**WARNING**  
 MAX. WEIGHT INSIDE 20 KG.