



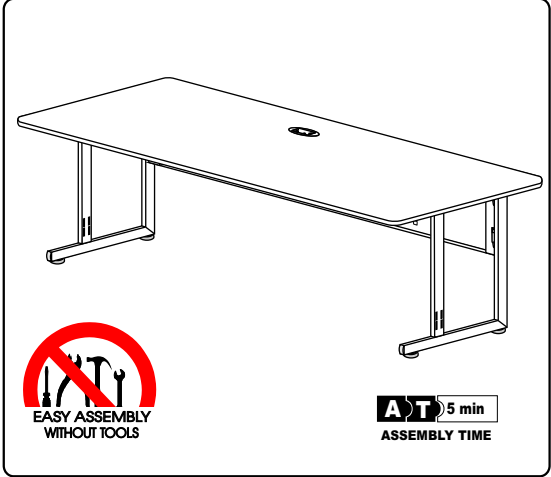
161 traditions trail  
 Holly Springs, NC 27540  
 Phone: 800-520-7471  
 Fax: 919-362-4765  
 Web Site: www.ofminc.com  
 E-mail: ofm@ofminc.com

# ASSEMBLY INSTRUCTIONS

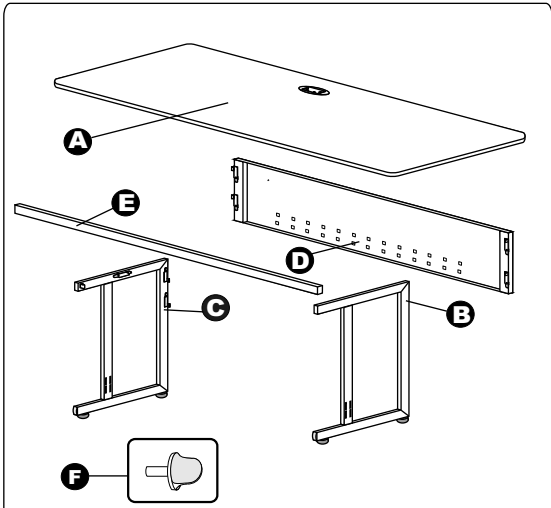
INSTRUCTIVO DE ENSAMBLE

MOD.55222

TRAINING TABLE 30 X 72 IN.



**AT** 5 min  
 ASSEMBLY TIME

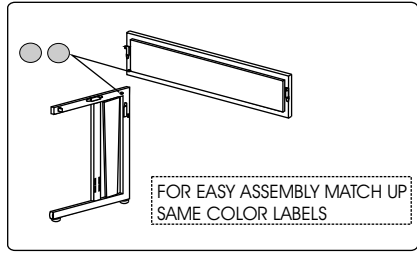


LIST OF PARTS

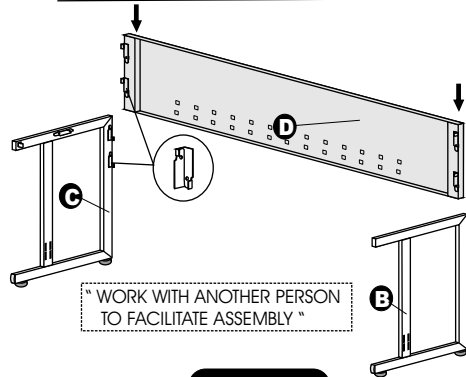
- A** TOP..... (1 PC)
- B** SIDE ( RIGHT )..... (1 PC)
- C** SIDE ( LEFT )..... (1 PC)
- D** CENTRAL FRAME..... (1 PC)
- E** SUPPORT BAR..... (1 PC)
- F** SAFETY KNOB 14.6 MM..... (2 PCS)

- A** CUBIERTA SUPERIOR..... (1 PZA)
- B** LATERAL DERECHO..... (1 PZA)
- C** LATERAL IZQUIERDO..... (1 PZA)
- D** MARCO CENTRAL..... (1 PZA)
- E** BARRA DE SOPORTE ..... (1 PZA)
- F** REGATONES DE SEGURIDAD 14.6 MM..... (2 PZAS)

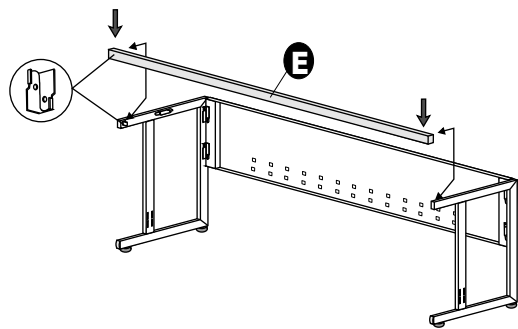
## LINEA ITALIA®



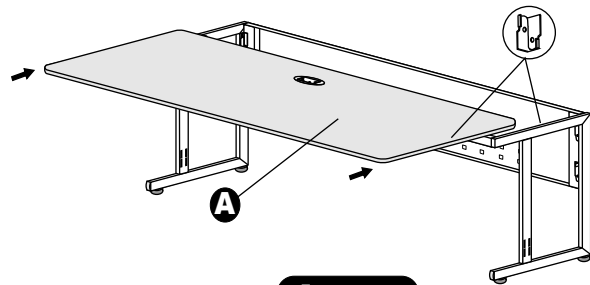
**1**



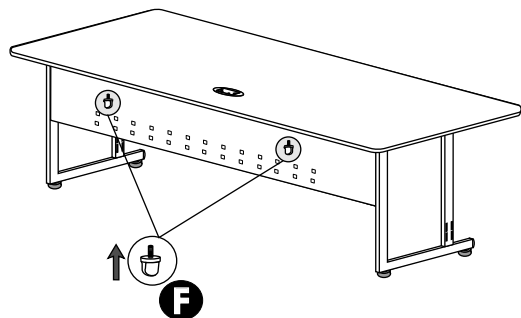
**3**



**4**



**5**



**F**