



OFM, INC

2511 Reliance Ave.
Apex, NC 27539
Phone: 800-520-7471
Fax: 919-362-4765
Web Site: www.ofminc.com
E-mail: ofm@ofminc.com



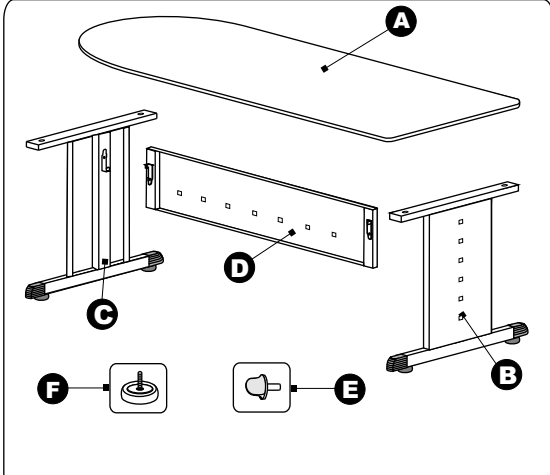
ASSEMBLY INSTRUCTIONS

INSTRUCTIVO DE ENSAMBLE

PENINSULA EJECUTIVA 55228 EXECUTIVE PENINSULA 72 X 29 1/2 IN.



PATENT PENDING



LIST OF PIECES

- A** WORK STATION TOP..... (1 PC)
- B** SIDE (RIGHT)..... (1 PC)
- C** SIDE (LEFT)..... (1 PC)
- D** CENTRAL FRAME..... (1 PC)
- E** SAFETY KNOB 36 MM..... (4 PCS)
- F** LEVELING KNOB..... (4 PCS)

LISTA DE PARTES

- A** CUBIERTA SUPERIOR..... (1 PZA)
- B** LATERAL DERECHA..... (1 PZA)
- C** LATERAL IZQUIERDA..... (1 PZA)
- D** MARCO CENTRAL..... (1 PZA)
- E** REGATÓN DE SEGURIDAD 36 MM..... (4 PZAS)
- F** REGATON NIVELADOR..... (4 PZAS)

FOR EASY ASSEMBLY MATCH UP SAME COLOR LABELS

1

2

3

safety knob
(regaton de seguridad)