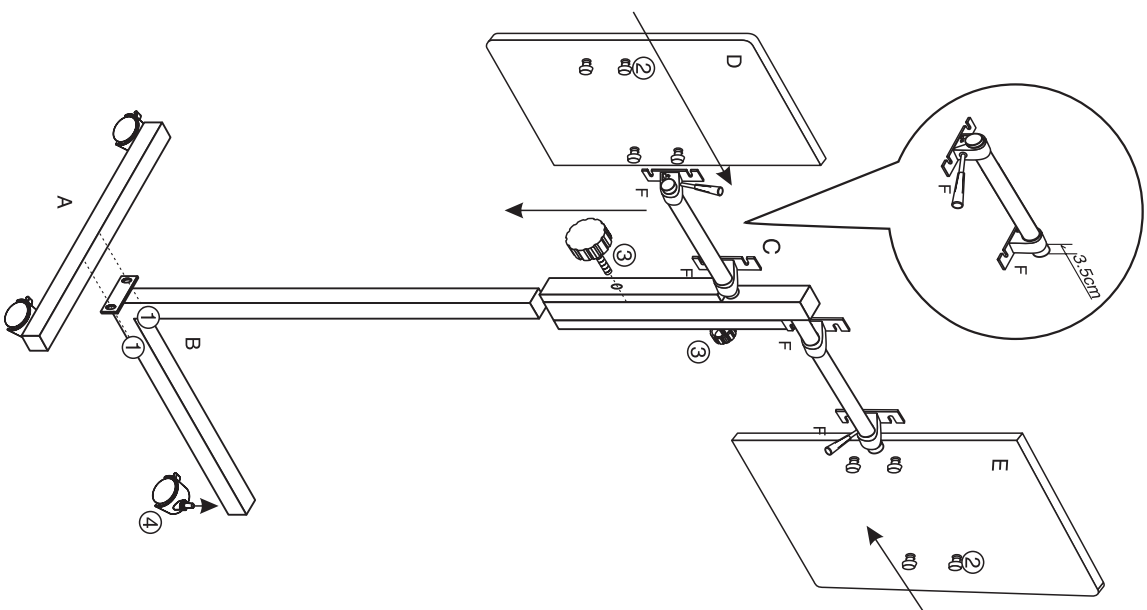
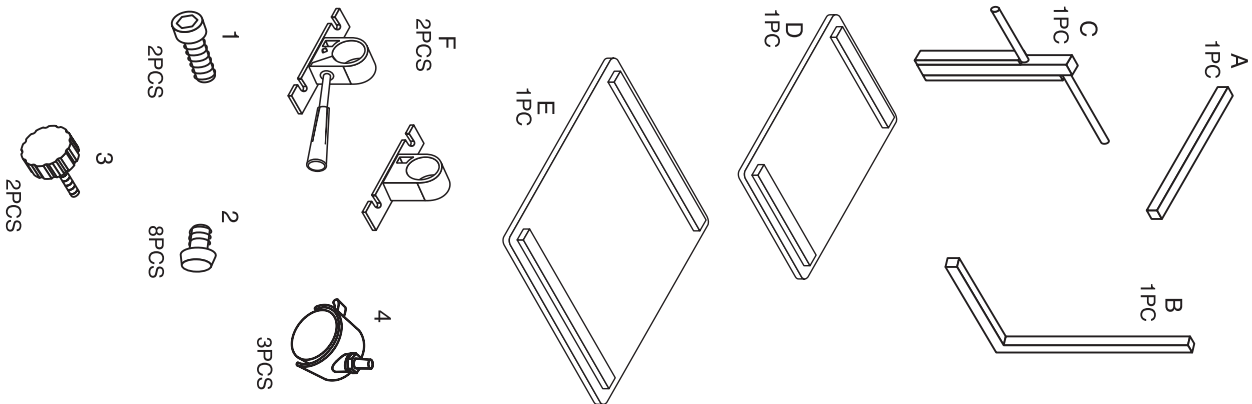


# Model LCS-100 Computer Laptop Stand

## Parts Listing



## Assembly Instructions



Tools Needed: Phillips Head Screwdriver  
*Please read all instructions before assembly.*

- Step 1:** Attach part (A) to part (B) using two screws part (1).
- Step 2:** Insert casters parts (4) into bottom of upright frame parts (A) and (B).
- Step 3:** Slide parts (F) onto bars extending from parts (C).
- Step 4:** Slide part (C) onto upright of part (B) and secure with knobs (3).
- Step 5:** Drive the screws (2) little into the hole on the platform (D) (E).
- Step 6:** Attach the platform onto bars extending from part (C), and tighten the screws (2).
- Step 7:** Adjust height and angle of platforms using knobs (3) and the Bar on the (F).

**CAUTION:**  
Check for loose screws and tighten them every 6 months.



Holly Springs, NC, USA  
800-520-7471 (voice)  
919-303-6389 (voice)  
919-362-4765 (fax)  
support@ofminc.com  
www.ofminc.com