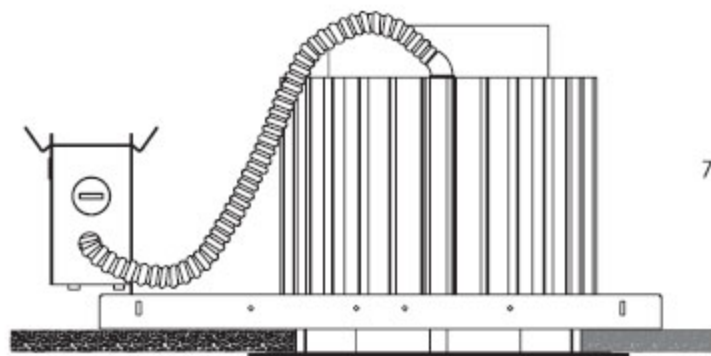
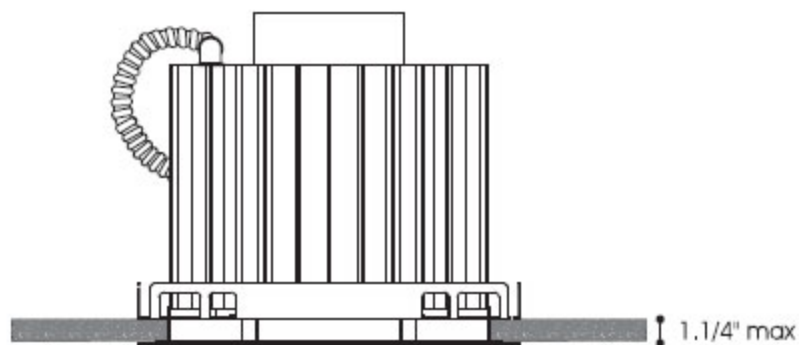


HOUSING TYPE - LED

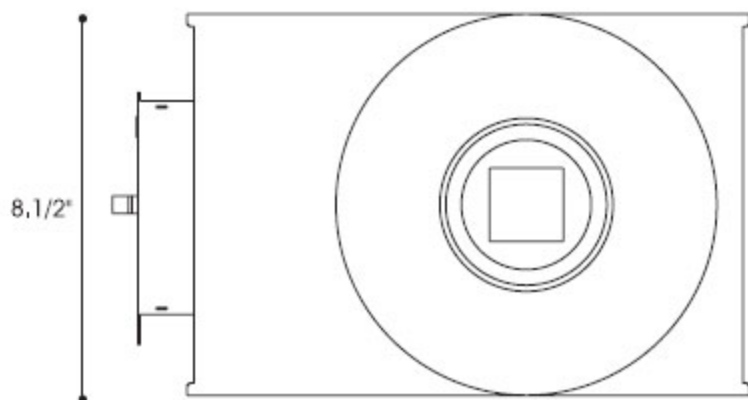


7.1/2"

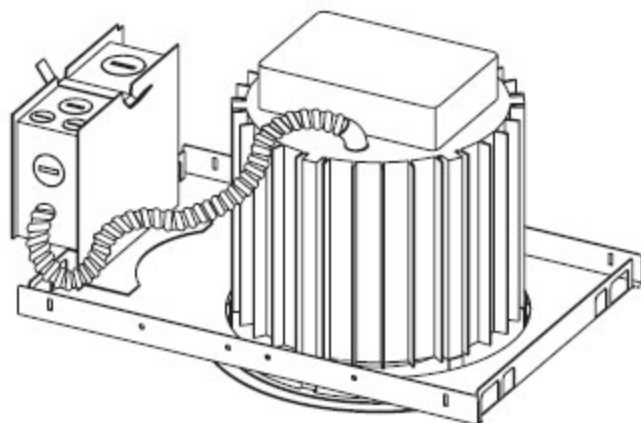


1.1/4" max

14"



8.1/2"



- Minimum ceiling thickness: 3/4"
- Maximum ceiling thickness: 1.1/4"
- Housings compatible with most ceilings types including plaster, gypsum board, wood, and suspended systems. 12" mounting bars provided.
- Suspended ceiling - requires 2'x2' or 2'x4' maximum panels, Installations in soft acoustical tile ceilings is not recommended.

