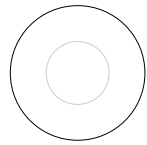
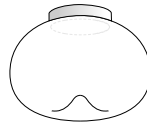


LEUCOS®

INSTALLATION INSTRUCTIONS - LEUCOS USA

OMBRE PP



A1

Enclosed



One installer



Save instructions

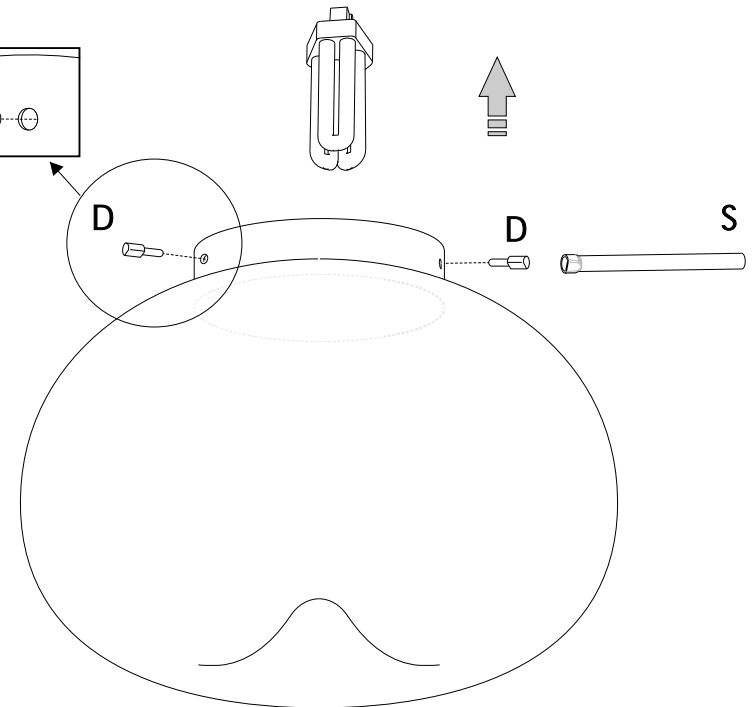
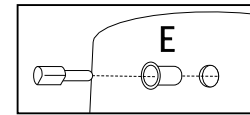
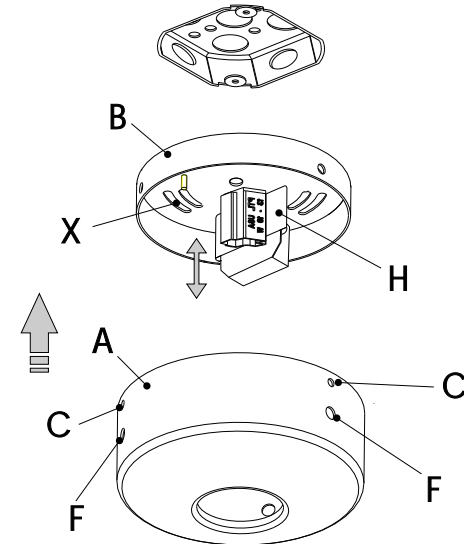
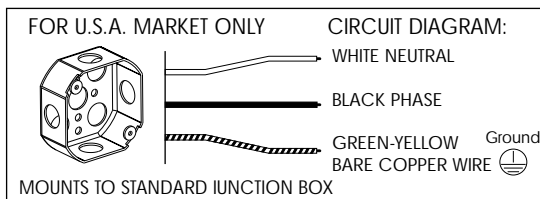
Revised
25 Luglio 2007

WARNING:

- DISCONNECT POWER BEFORE INSTALLATION.
- FIXTURE TO BE INSTALLED BY A CERTIFIED ELECTRICIAN.
- INSTALL IN ACCORDANCE WITH THE NATIONAL AND LOCAL ELECTRICAL CODES.
- TAKE GREAT CARE TO AVOID SCRATCHING OR CHIPPING THE GLASS WHEN CARRYING OUT THE OPERATIONS BELOW

1. Before attaching the mounting plate to the j-box, loosen the 3 screws "C" located around the border of the structure. Separate the cover "A" from the plate "B".
 2. Make electrical connections to supply wires.
 3. Secure the metal plate "B" to the wall or to the ceiling (j-box) by the "X" slots provided. In order to make free the space for the slots "X", please pull out the ballast from bracket "H" and then replace it after screwing.
 4. Install cover "A" on plate "B" by utilizing the 3 set screws "C".
 5. Install the bulb into the lampholder and make a working test prior to place the diffuser.
 6. Place the glass diffuser to the structure utilizing the 3 set screws "D" aligning them to the 3 holes "F". Fig. 3. In order not to over tighten the set screws it is VERY IMPORTANT to use the plastic bushing "E" provided. Use "S" pipe provided.
- IN ORDER NOT TO BREAK THE GLASS, DO NOT OVER TIGHTEN THE SCREWS.
7. Restore power.

OMBRE - Max 1X18W G24 q2 Type triple tube



For additional information please contact your local dealer or **LEUCOS U.S.A.** At:
Tel. (732) 225-0010 Fax (732) 225-0250 www.leucos.com - e-mail: info@leucosusa.com