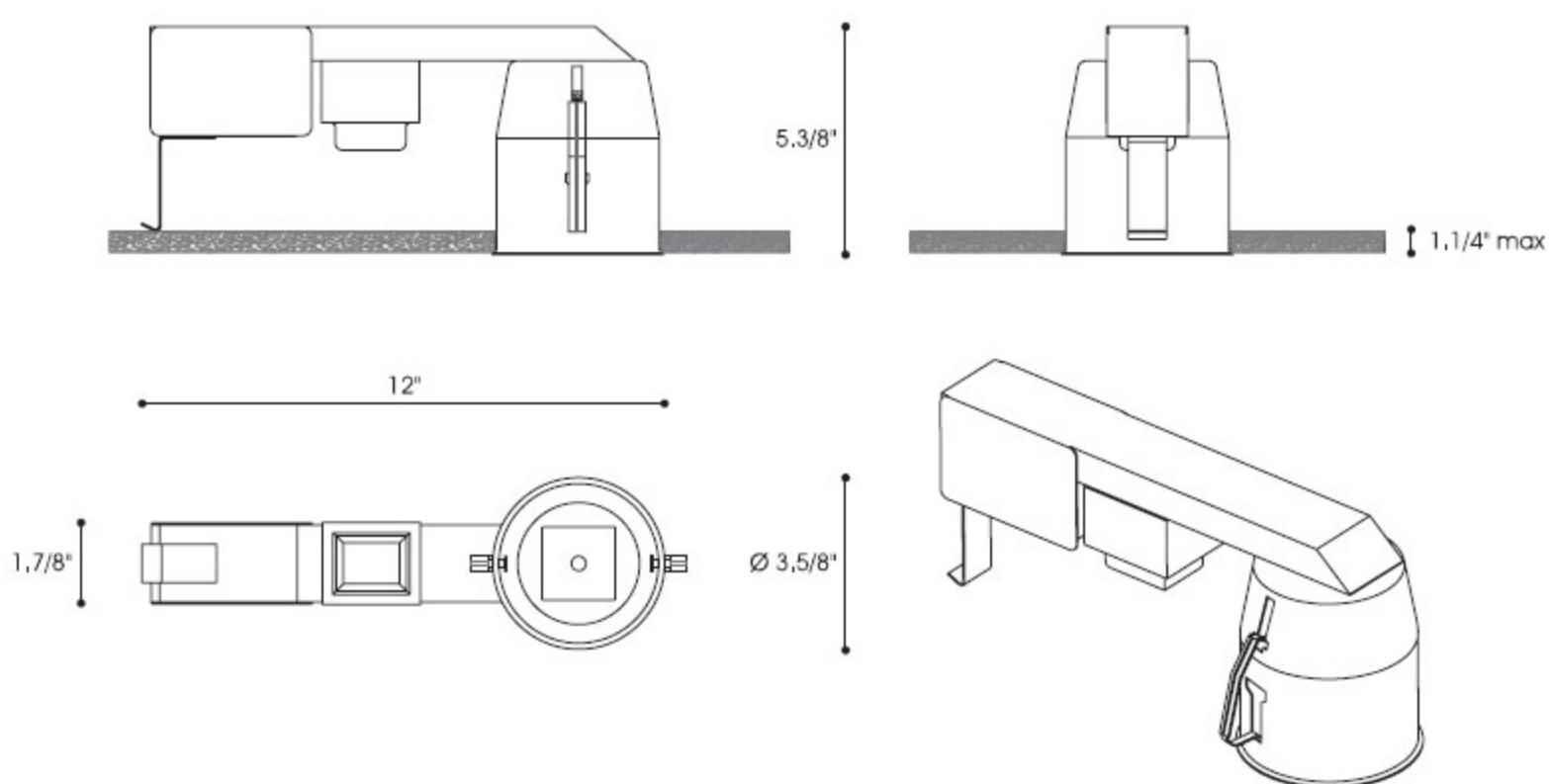


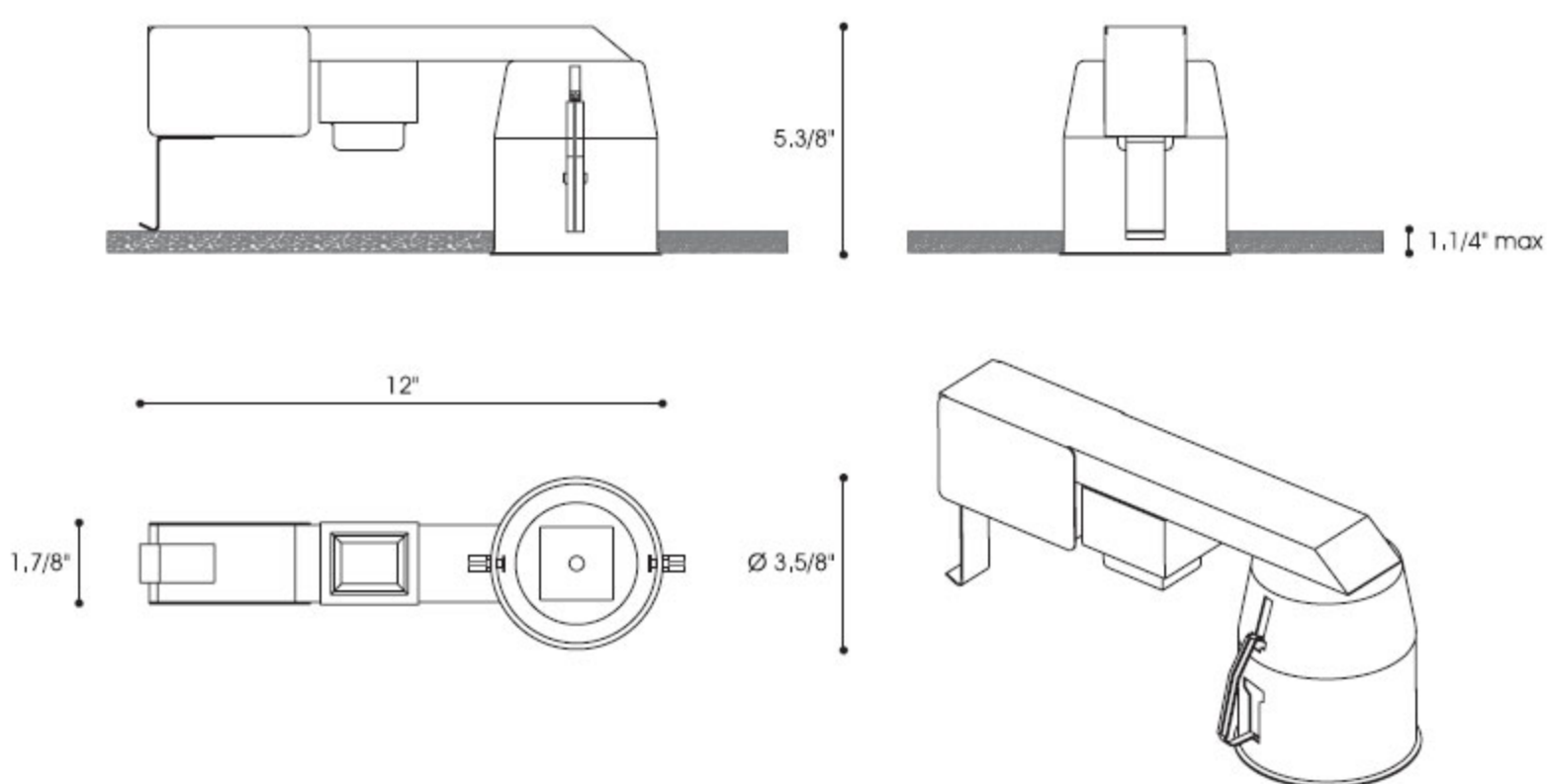
HOUSING TYPE - REMODEL



- Minimum ceiling thickness: 3/4"
- Maximum ceiling thickness: 1,1/4"
- Housings compatible with most ceilings types including plaster, gypsum board, wood, and suspended systems. 12" mounting bars provided.
- Suspended ceiling-requires 2'x2' or 2'x4' maximum panels. Installations in soft acoustical tile ceilings is not recommended.

36

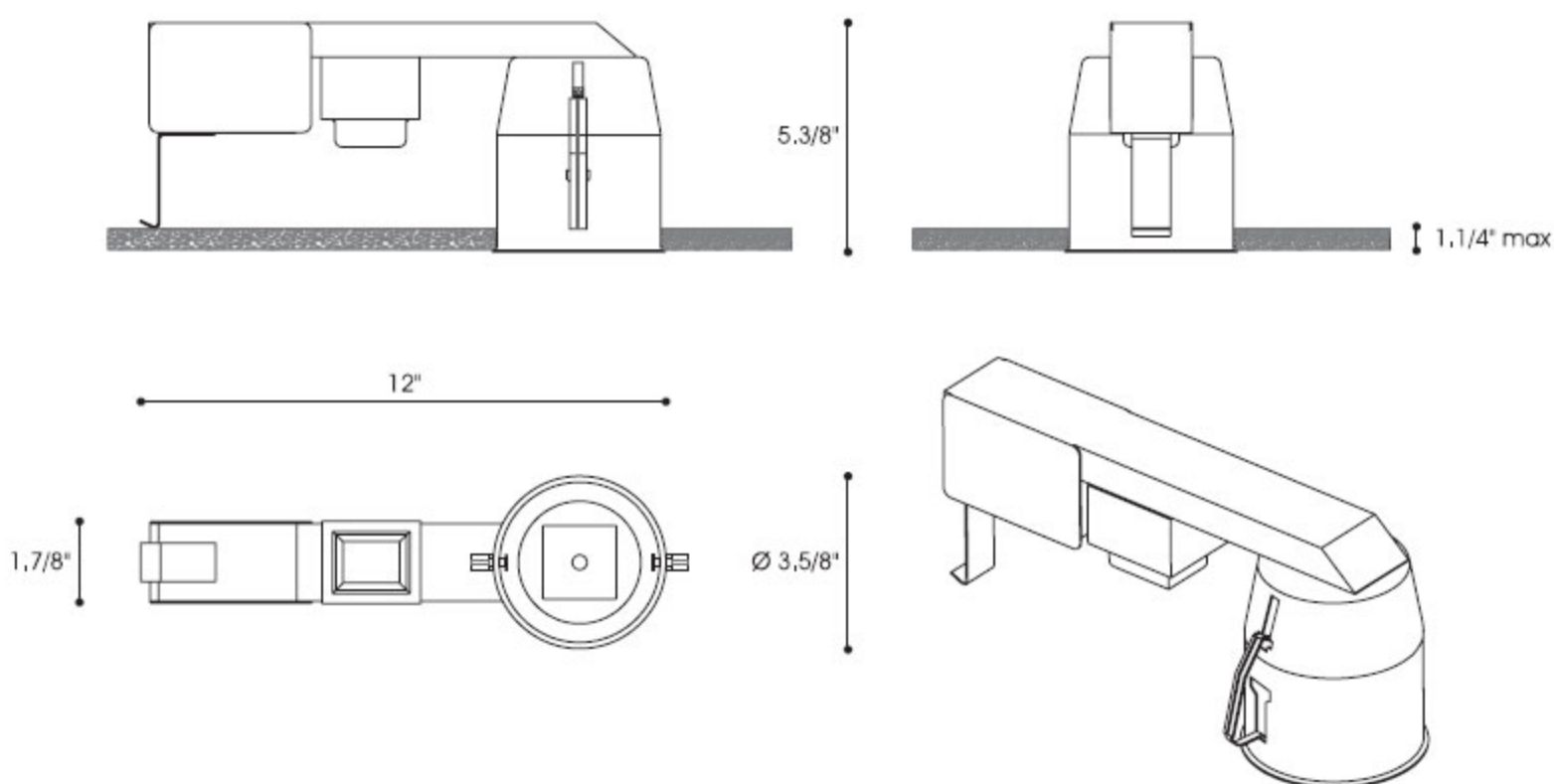
HOUSING TYPE - REMODEL



- Minimum ceiling thickness: 3/4"
- Maximum ceiling thickness: 1,1/4"
- Housings compatible with most ceilings types including plaster, gypsum board, wood, and suspended systems. 12" mounting bars provided.
- Suspended ceiling-requires 2'x2' or 2'x4' maximum panels. Installations in soft acoustical tile ceilings is not recommended.

36

HOUSING TYPE - REMODEL



- Minimum ceiling thickness: 3/4"
- Maximum ceiling thickness: 1,1/4"
- Housings compatible with most ceilings types including plaster, gypsum board, wood, and suspended systems. 12" mounting bars provided.
- Suspended ceiling-requires 2'x2' or 2'x4' maximum panels. Installations in soft acoustical tile ceilings is not recommended.

36