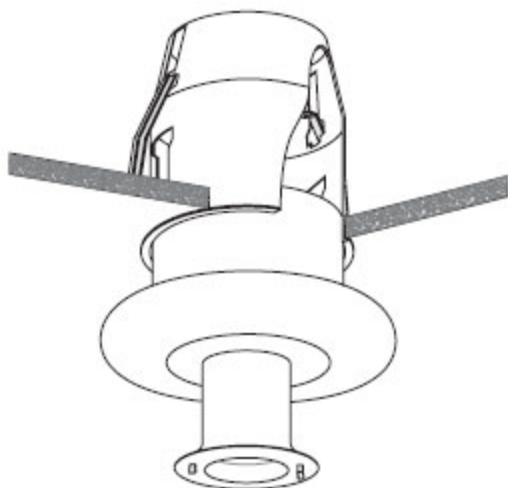


SCREW CAP

VAN



- 1) Remove thumb-screw by backing down over threaded socket. Glass will loosen as the ring is removed.
- 2) Replace lamp
- 3) Reinstall glass trim by reversing the above procedure.

