

## TWIST & LOCK

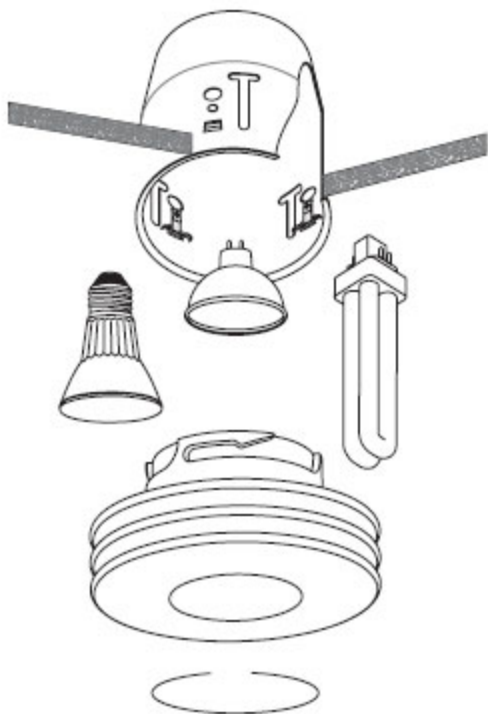
DAY

DISK

DROP

ONLY

POLAR



- 1) Twist glass diffuser counter-clockwise and then pull down from housing.
- 2) Replace lamp.
- 3) Reinstall glass trim by reversing the above procedure.

