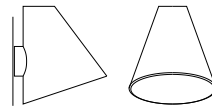


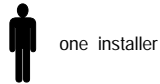
# LEUCOS®

## INSTRUCTIONS FOR INSTALLATION

### MICENE WALL



A1 Enclosed



Save instructions

Revised

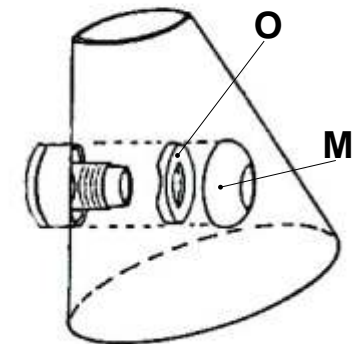
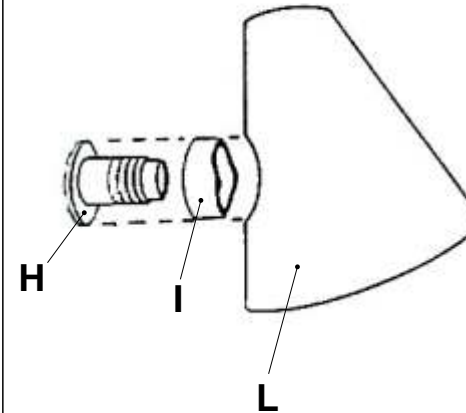
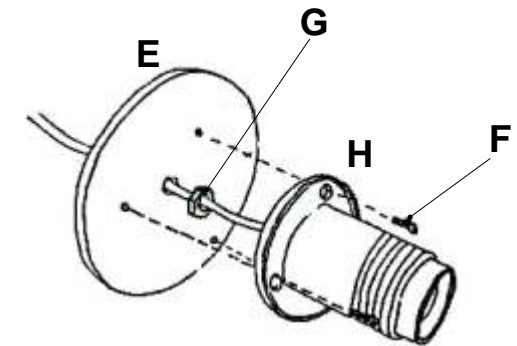
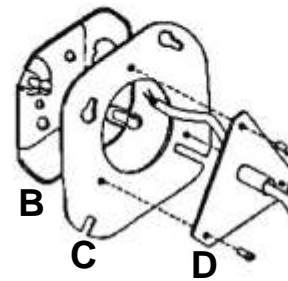
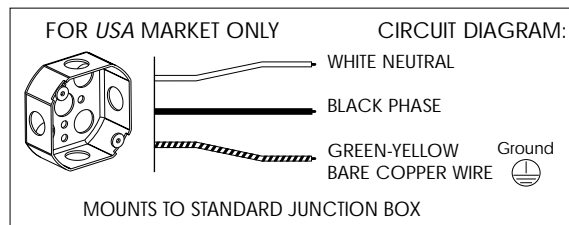
23 September 2005

**NOTE:** Before executing any operation, check that the main supply has been disconnected. carry out all operations carefully in order not to scratch or splinter the glass.

1. Slip the small bolt on the wire and run the electric wires through the plates "E", "D" and "C".
2. Attach the plate "C" to the box "B".
3. Join the electric wires.
4. Fix the plate "D" and "C".
5. Attach plate "E" to plate "D" and tightly screw the bolt "G".
6. Fix the structure "H" to the plate "E" by tightly screwing the screws "F".
7. Slide the ring "I" and the glass diffuser, on the structure "H". Then pass the ring "O" inside the glass on the same structure "H".
8. Screw the ring "M" onto the structure "H" to lock all these components.
9. Insert the bulb into the lampholder.
10. Switch on.

#### FOR U.S.A. MARKET ONLY:

max power 1x100W - 120V - E26 - TYPE A



For additional information please contact your local dealer or **LEUCOS U.S.A.** at:  
Tel. (732) 225-0010 Fax. (732) 225-0250