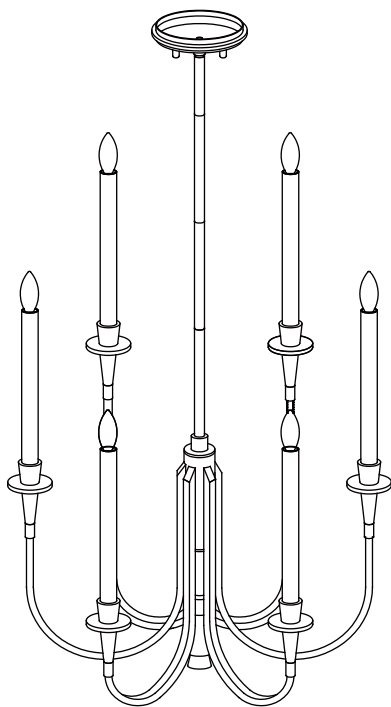
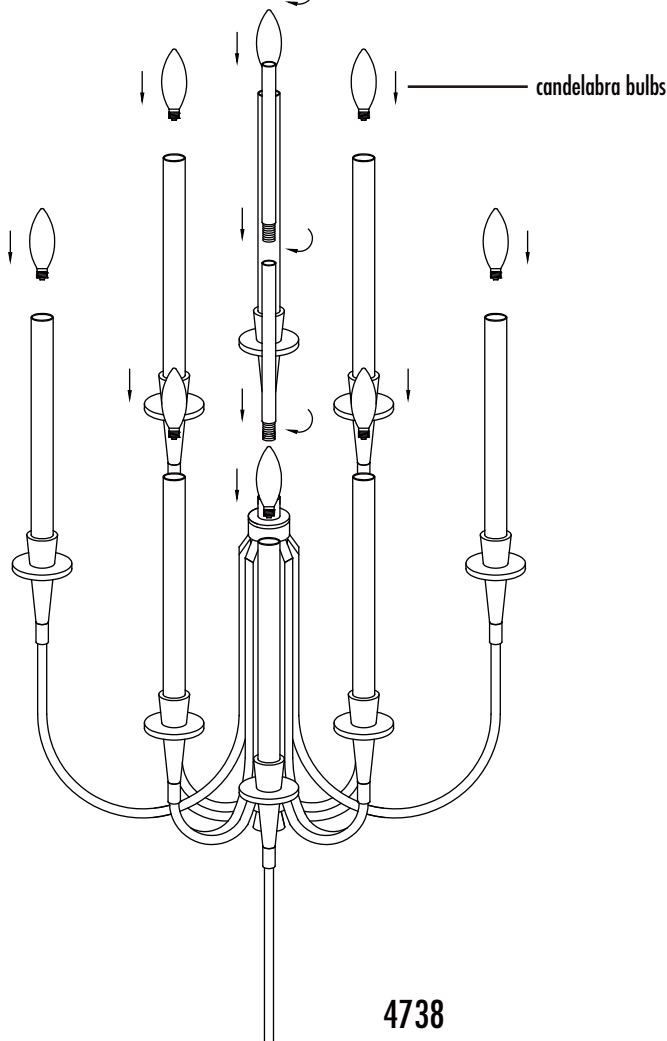
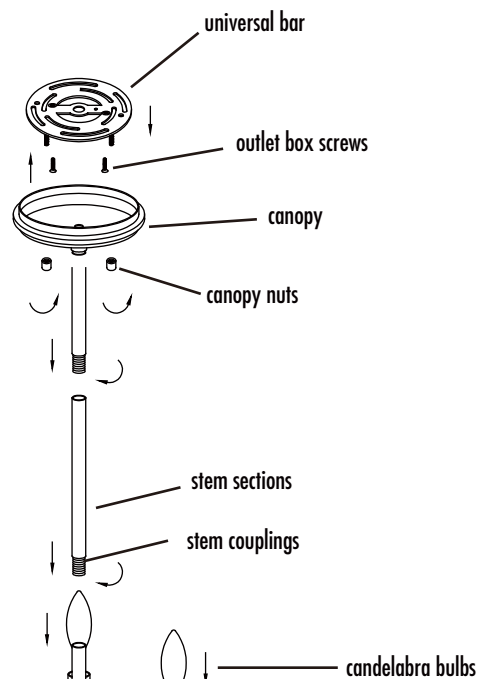
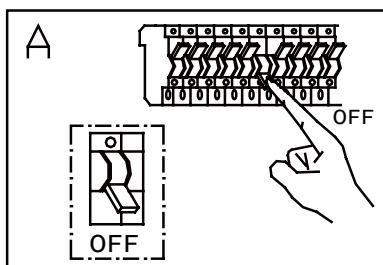


Important: Always disconnect the power before installing or replacing bulbs and before cleaning or other maintenance.

This light should be installed by a licensed electrician

LAMP INSTALLATION AND ASSEMBLY

1. Shut off power to the outlet box. (fig. A)
2. Determine the height at which the fixture is to be hung.
Connect stem sections by using stem couplings to achieve desired length.
3. Attach the universal bar to the outlet box using outlet box screws.
4. Make appropriate electrical connections using wire nuts. If there is no green ground wire from the outlet box, then connect the fixture wire to the universal bar with the green screw provided. Place connections in outlet box.
5. Attach canopy to universal bar with canopy nuts.
6. Install candelabra bulbs. (not included)
7. Restore power to the fixture.



4736

4738