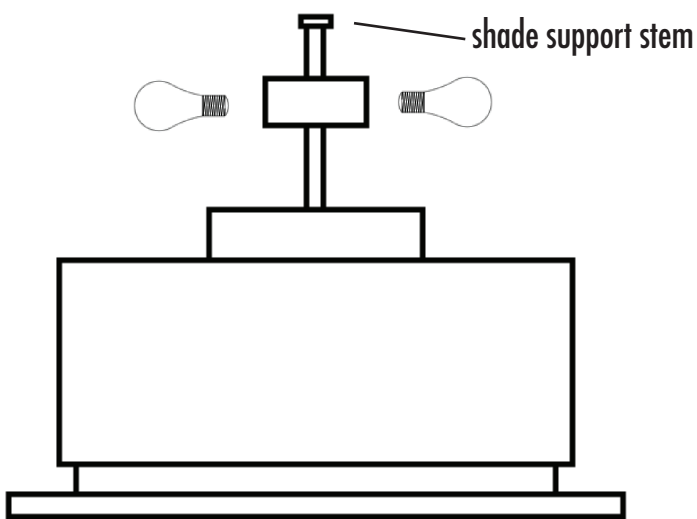
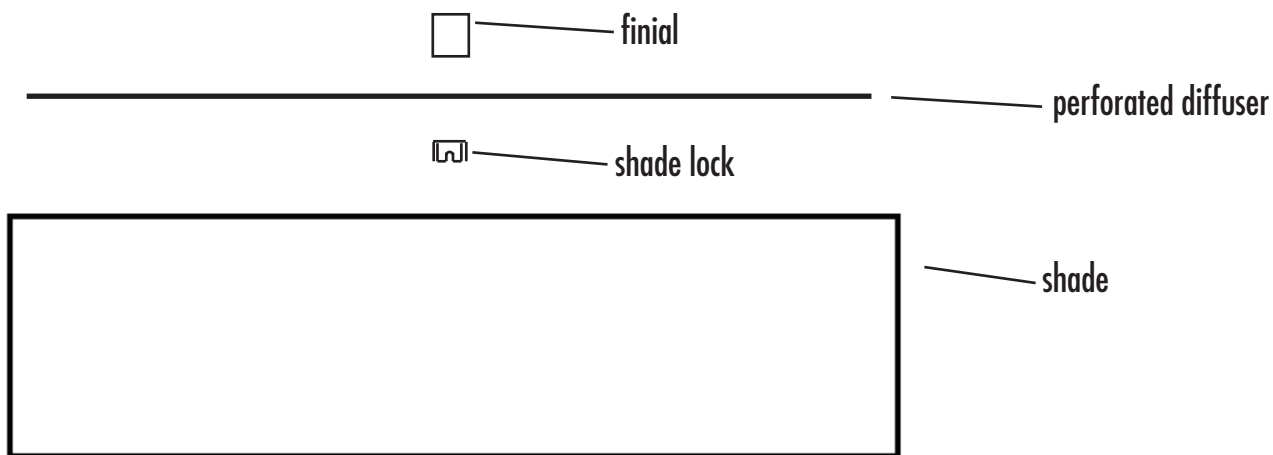


Important: Always unplug the power cord before installing or replacing bulb and before cleaning or other maintenance.



### LAMP ASSEMBLY

1. Place shade on shade support stem.
2. Secure with shade lock.
3. Place perforated diffuser on top of shade.
4. Secure with finial.