




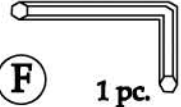
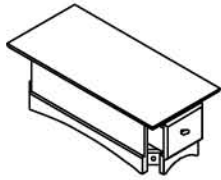
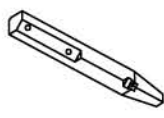



### Components and Hardware List

<b>M1/4" x 2" Allen Head Bolt</b>  <b>(A) 8 pcs.</b>	<b>1/4" Spring Washer</b>  <b>(B) 16 pcs.</b>	<b>1/4" Flat Washer</b>  <b>(C) 16 pcs.</b>
<b>M1/4" x 3/4" Allen Head Bolt</b>  <b>(D) 8 pcs.</b>	<b>"L" Bracket</b>  <b>(E) 4 pcs.</b>	<b>4mm Allen Wrench</b>  <b>(F) 1 pc.</b>



#66010  
Chairside Table

<b>Table Top</b>  <b>(G) 1 pc.</b>	<b>Leg</b>  <b>(H) 4 pcs.</b>	<b>Shelf</b>  <b>(I) 1 pc.</b>
---	--	---

Be sure to check all packing material carefully for small parts, which may have come loose inside the carton during shipment.

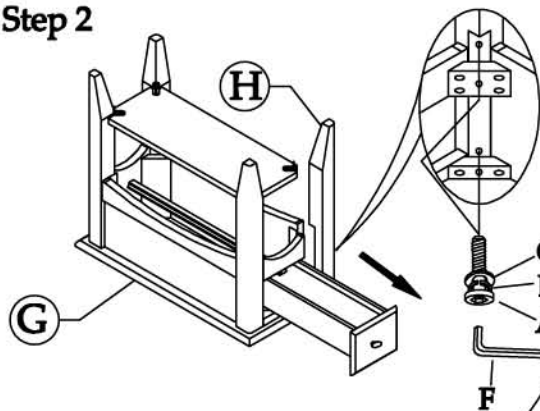
**Step 1:** Place the Table Top (G), upside down on a soft non-abrasive surface, such as a blanket or carpet and remove the drawer.

**Step 2:** Attach the LEGS (H) to the underneath side of the Table Top with the 2" long Allen-Head Bolts (A), Spring Washers (B) and Flat Washers (C). Do not fully install bolts until after next step.

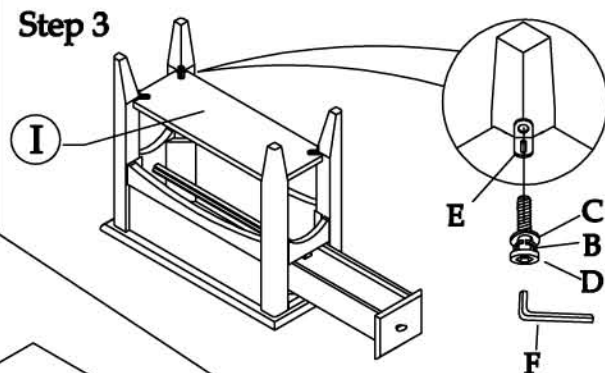
**Step 3:** Attach the Shelf (I) to the LEGS with the "L" Brackets (E) and using the 3/4" long Allen-Head Bolts (D) and same washers as previous step. Pull the Shelf into the notch of each leg and tighten all the Bolts using the Allen Wrench (F).

**Step 4:** Carefully set the Table upright and reinsert the drawer back into the Table Top.

#### Step 2



#### Step 3



#### Step 4

