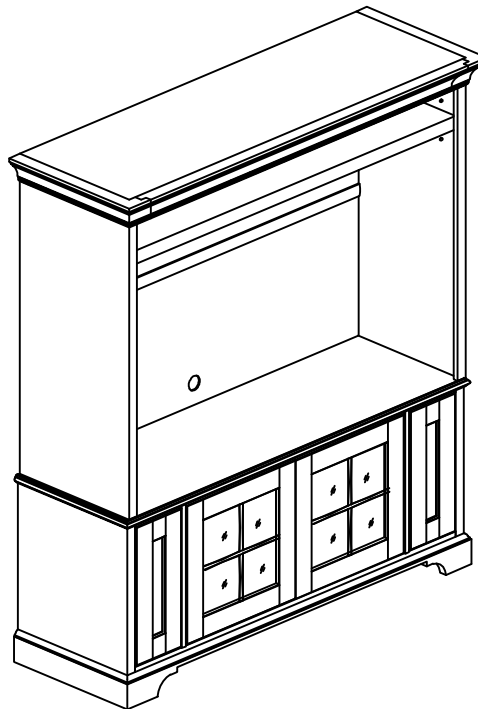


ASSEMBLY INSTRUCTION

ITEM # 34057 / 34058

ITEM # 34157 / 34158

TV CONSOLE / OPEN DECK













Caution:

Please read all instructions before beginning assembly. After assembly, the open deck is very cumbersome to handle and to prevent possible personal injury and damage to furniture two people must be used to position and set-up the open deck.

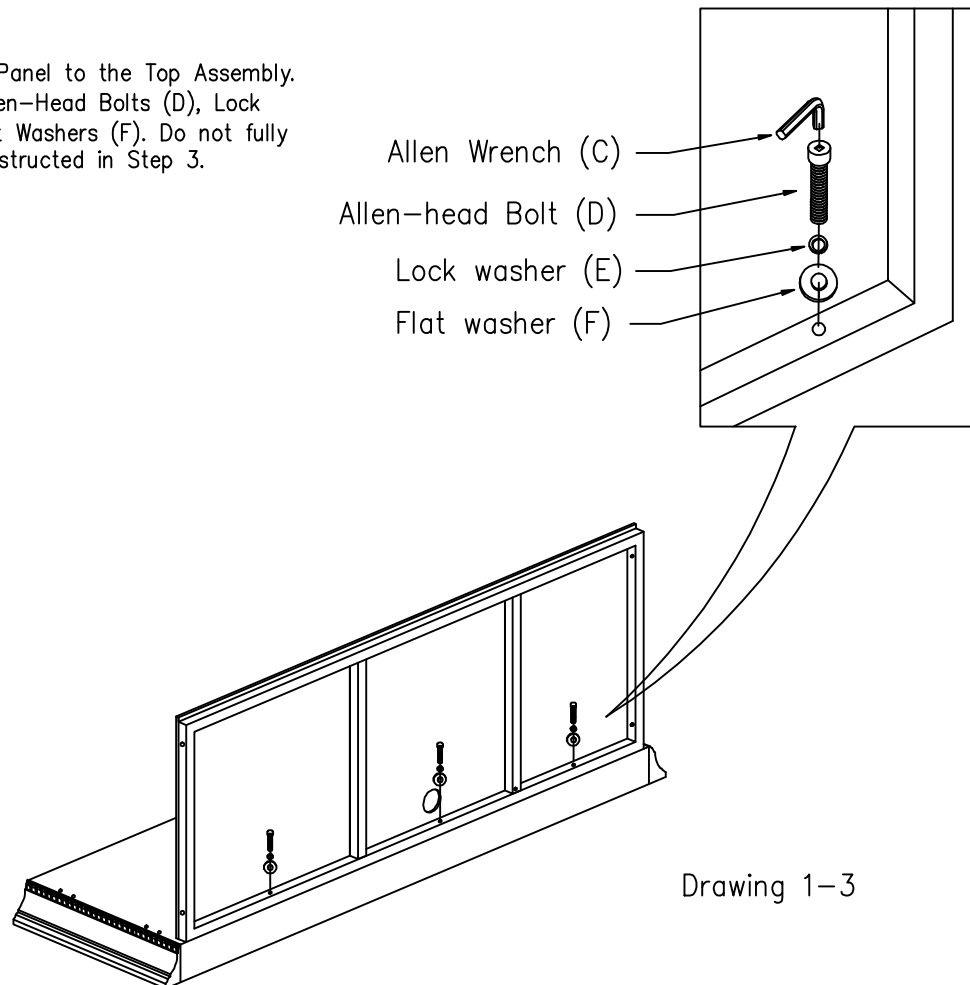
To prevent possible scratches to the finish, this product should be assembled on a soft surface such as carpet or a blanket.

It is recommended that a set of low-friction furniture sliders be purchased and placed underneath the console to make moving much easier.

ASSEMBLY INSTRUCTION
ITEM # 34058 OPEN DECK
ITEM # 34158 OPEN DECK

HARDWARE PACK								
#	Description		Qty.		#	Description	Qty.	
A	Shelf bracket		4 pcs		F	1/4" Flat washer		15 pcs
B	Grommet		2 pcs		G	(8x30mm) Wood dowel		4 pcs
C	1/4" Allen wrench		1 pc		H	1/2" Wood screw		34 pcs
D	Bolt (1/4" * 1 1/2")		15 pcs		I	L-Bracket		2 pcs
E	1/4" Lock washer		15 pcs		J	Mounting Plate		3 pcs

Step 1.
 Assemble one Back Panel to the Top Assembly.
 Attach using the Allen-Head Bolts (D), Lock Washers (E) and Flat Washers (F). Do not fully tighten bolts until instructed in Step 3.



ASSEMBLY INSTRUCTION

ITEM # 34058 OPEN DECK

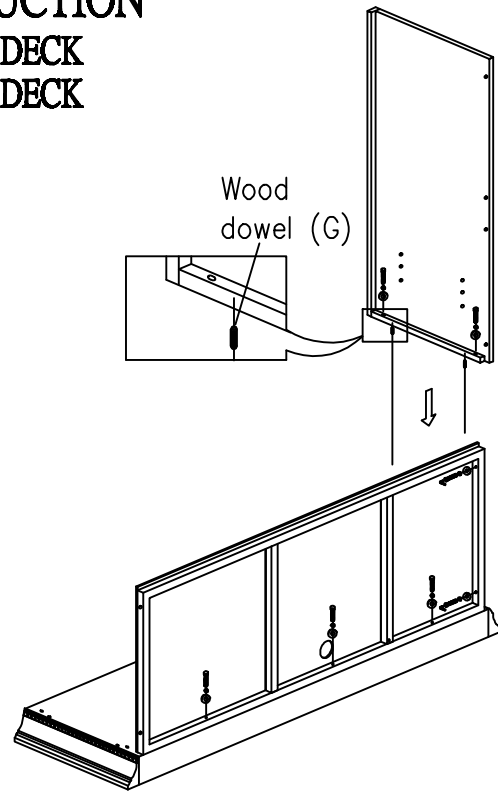
ITEM # 34158 OPEN DECK

Step 2.
 Insert the Wood Dowels (G) into the holes in the top edge of both End Panels.

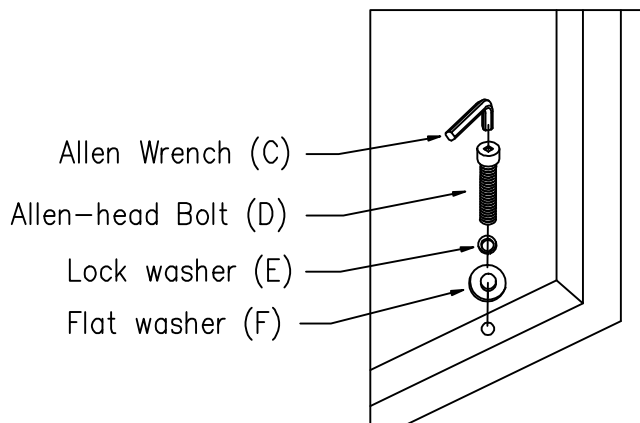
Step 3.
 Assemble one End Panel with the Top Assembly and Back Panel. While holding the End Panel upright, connect to the Back Panel and then the Top Assembly, using the Allen-Head Bolts (D), Lock Washers (E) and Flat Washers (F). Use the Allen Wrench (C) to tighten the Allen-head bolts. Repeat to assemble the other End Panel.

Step 4.
 Place the Mullion Strip on the edge of the Back Panel that was previously installed. Assemble the Lower Back Panel to the Mullion and between the End Panels. Attach using the same Bolts and Washers used in the previous step. Tighten with the Allen Wrench (C).

Step 5.
 Carefully turn the Deck upright.



Drawing 2-3

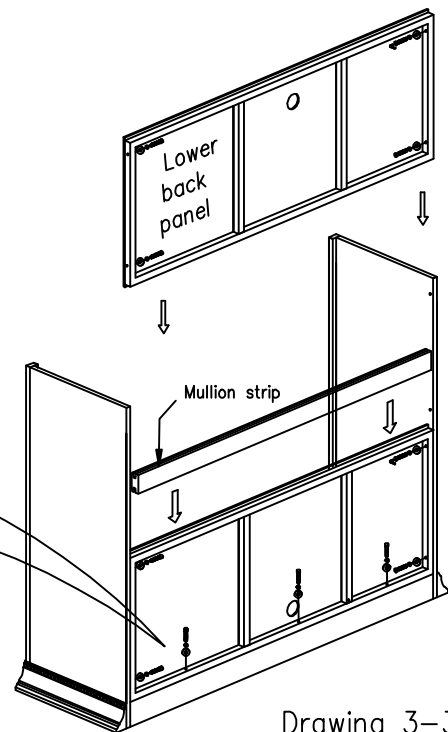


Allen Wrench (C)

Allen-head Bolt (D)

Lock washer (E)

Flat washer (F)



Drawing 3-3

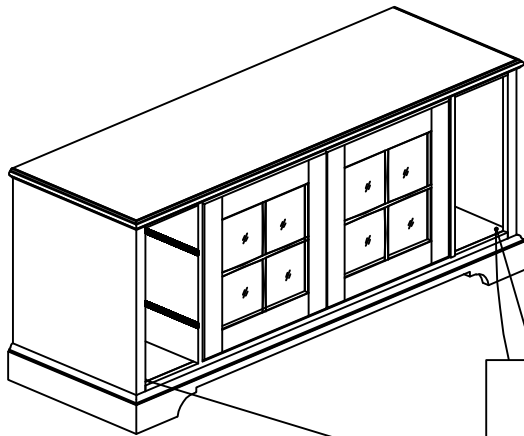
ASSEMBLY INSTRUCTION

ITEM # 34057 TV CONSOLE

ITEM # 34157 TV CONSOLE

step:1

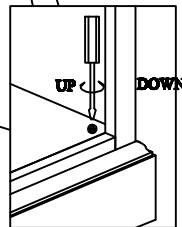
If required, units can be adjusted with the levelers located underneath cabinet. Place a flat-blade screwdriver through the holes in the bottom panel, into the slot in the top of the leveler and turn clock-wise to raise or counter-clockwise to lower.



Drawing 1-6

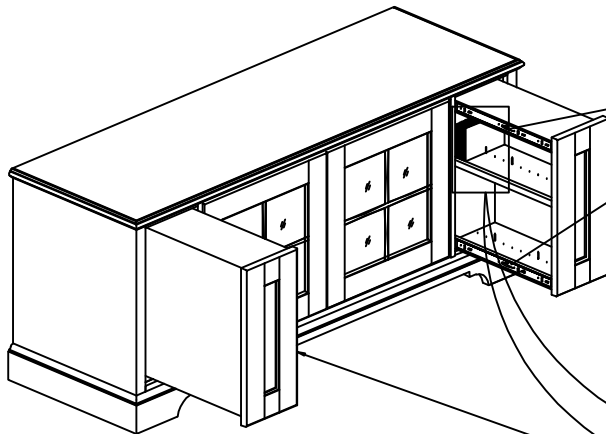
step:2

The Media Storage Drawers must be removed in order to access the levelers however. With the drawer fully open, the drawer slides must be released by pressing the "trigger" located in the slide either up or down, depending on which side is being removed. With both triggers pressed, gently pull the drawer until the slides release.

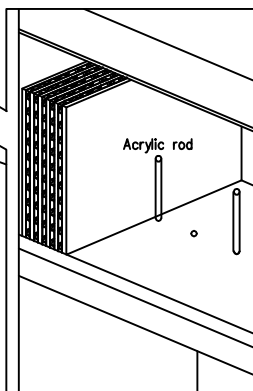


step:3

After the levelers have been adjusted, very carefully reinstall the Media Storage Drawer by aligning the ball bearings into the channels of the drawer guides and push the drawer back into the cabinet.



Drawing 2-6





step:4

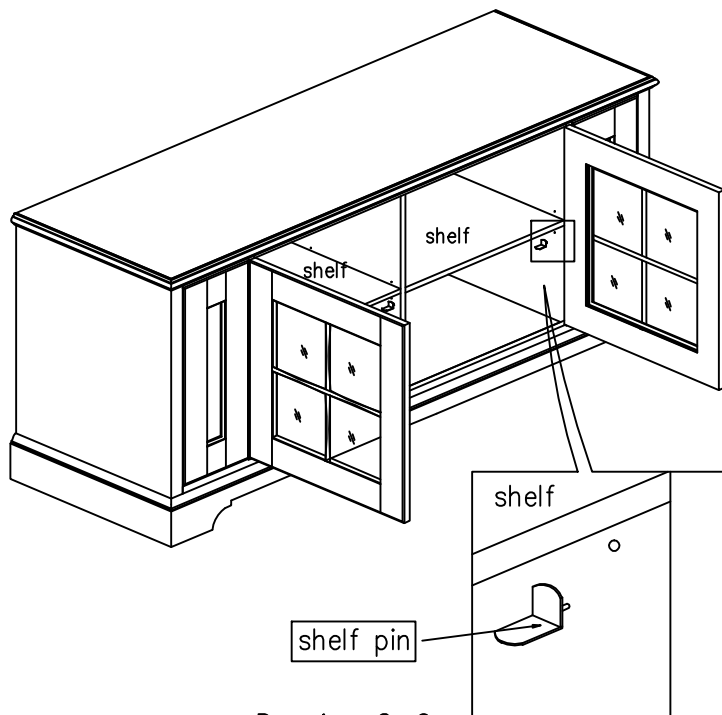
Insert the Acrylic Rods into the holes in the shelves for various types of Media Storage.

ASSEMBLY INSTRUCTION

ITEM # 34057 TV CONSOLE
ITEM # 34157 TV CONSOLE

HARDWARE PACK		
	Shelf Pin	8 pcs
	Acrylic rod	8 pcs

step:5
Insert Shelf Pins into holes at desired level for Shelf. Place Wood Shelf on Pins.



Drawing 2-6

ASSEMBLY INSTRUCTION

ITEM # 34057 / 34058

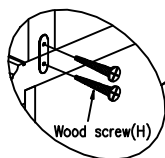
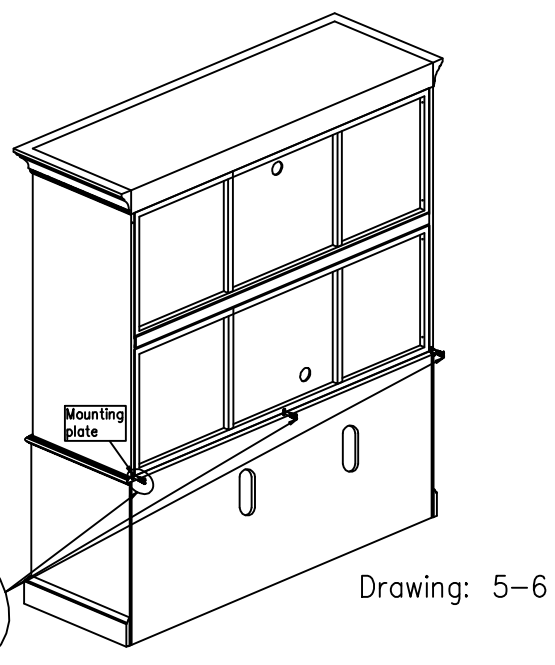
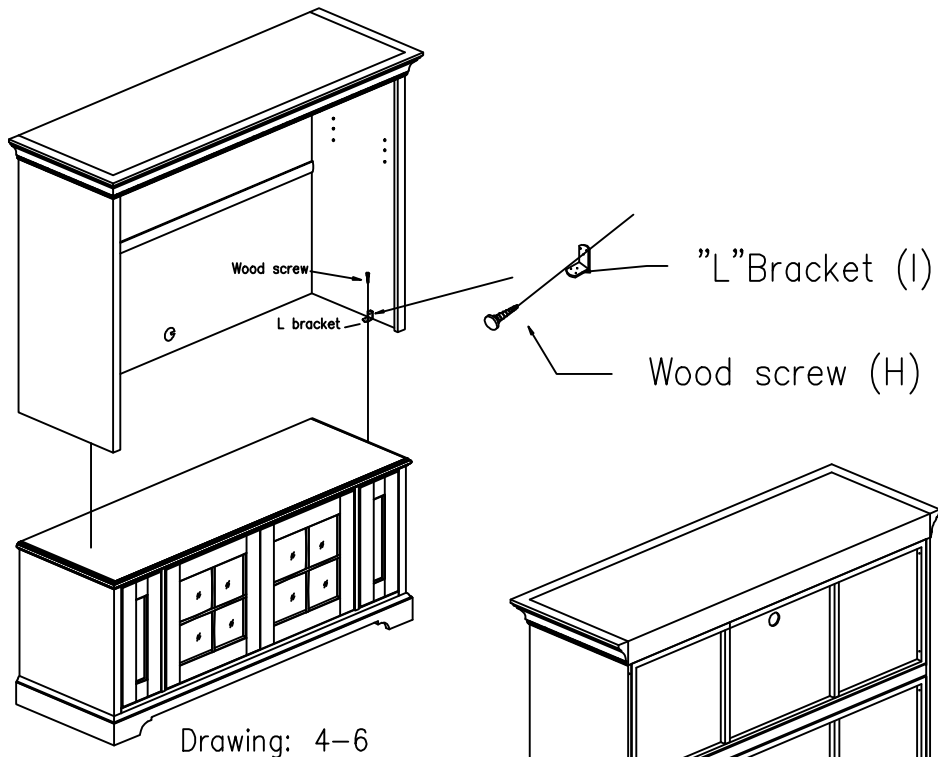
ITEM # 34157 / 34158

TV CONSOLE / OPEN DECK

If certain pieces of 'stacked' furniture are not connected together and are misused or abused, the possibility exists that the upper unit might tip over or be accidentally moved off of the lower cabinet. This could cause personal injury and damage to the furniture. Hardware has been provided to connect the upper cabinet to the lower cabinet to minimize this risk, when properly installed.

Step: 6

Carefully position the Open Deck on top of the TV Console. Attach together using the L-brackets with four 1/2" wood screws in the front as shown. Connect at the back using the Mounting Plates and 1/2" wood screws as shown.



ASSEMBLY INSTRUCTION

ITEM# 34057 / 34058

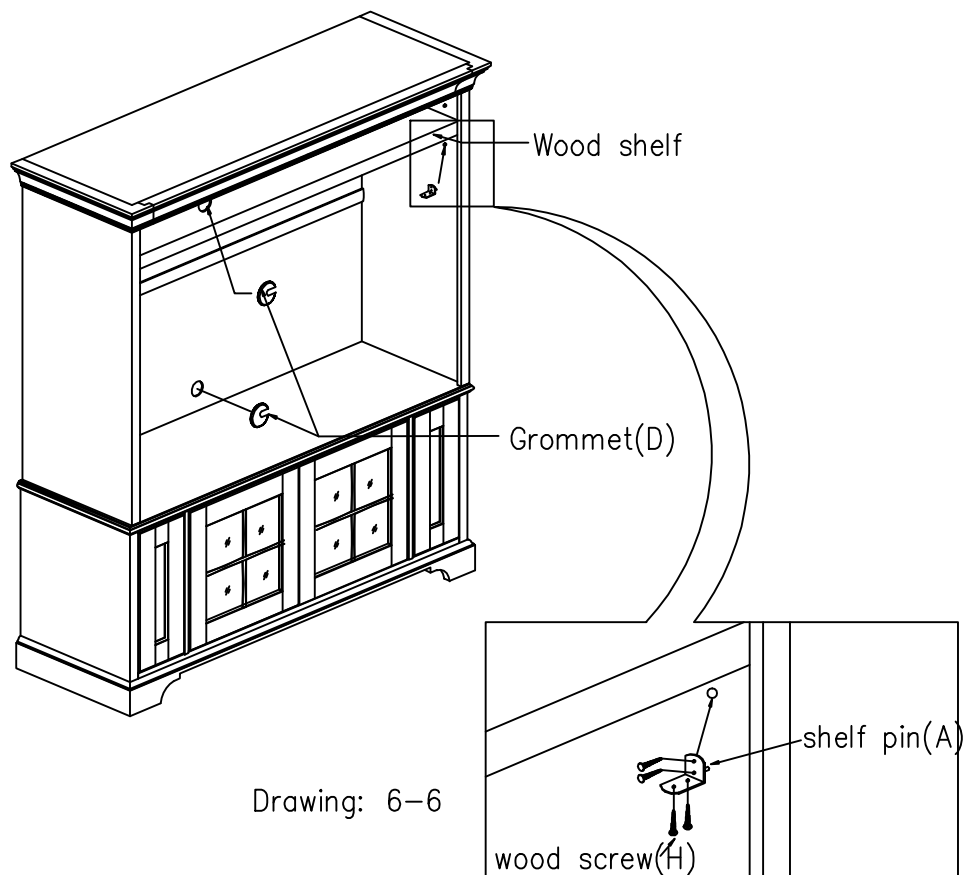
ITEM# 34157 / 34158

TV CONSOLE / OPEN DECK

step:8

Install shelf pins into holes in sides of deck unit at desired level. Attach pins to side panels with two $\frac{1}{2}$ " flat-head wood screws per shelf pin.

Carefully place adjustable shelf on top of shelf pins and secure with two $\frac{1}{2}$ " flat-head screws per shelf pin.



Drawing: 6-6