

### Components and Hardware List

M5/16" x 2 1/4"  
Allen Head Bolt



(A) 8 pcs.

5/16" Spring  
Washer



(B) 8 pcs.

5/16" Flat  
Washer



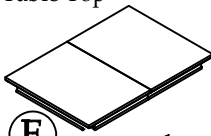
(C) 8 pcs.

5mm Allen  
Wrench



(D) 1 pc.

Table Top



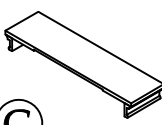
(E) 1 pc.

Leg

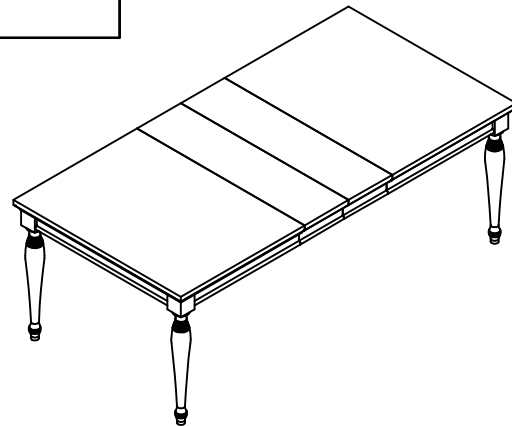


(F) 4 pcs.

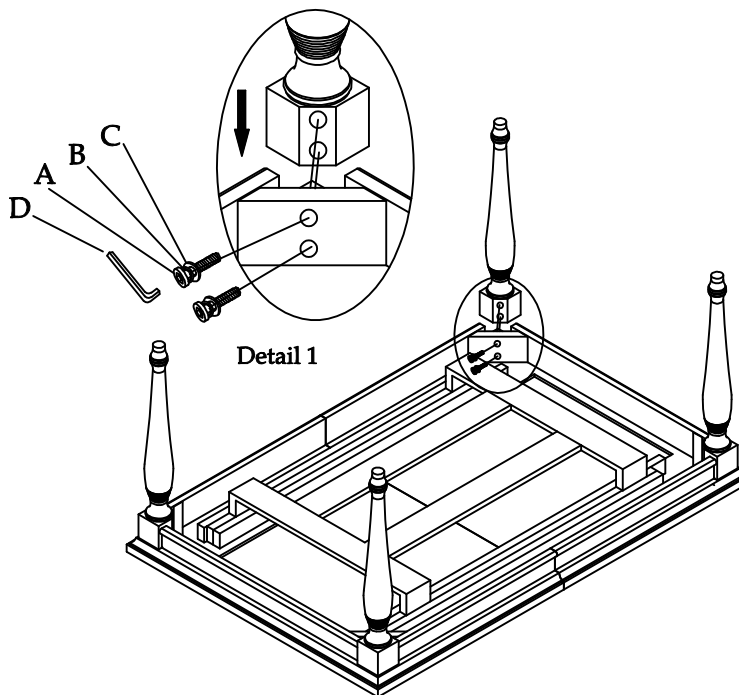
Leaf



(G) 2 pcs.



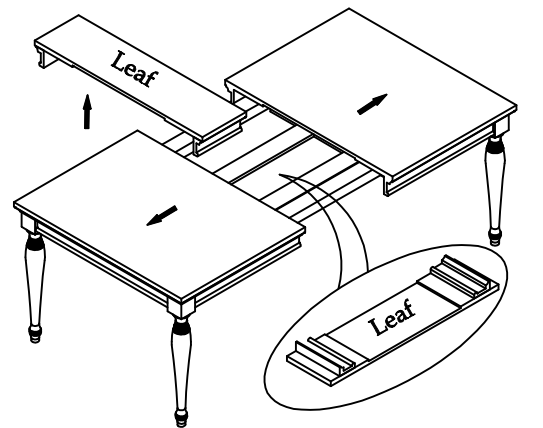
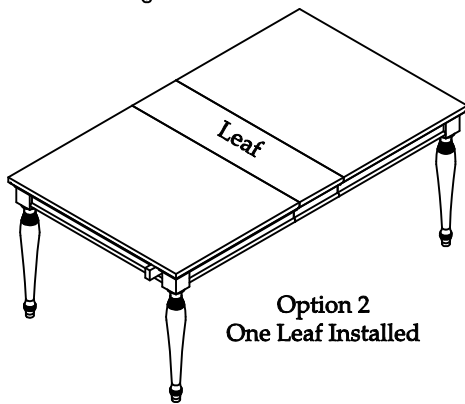
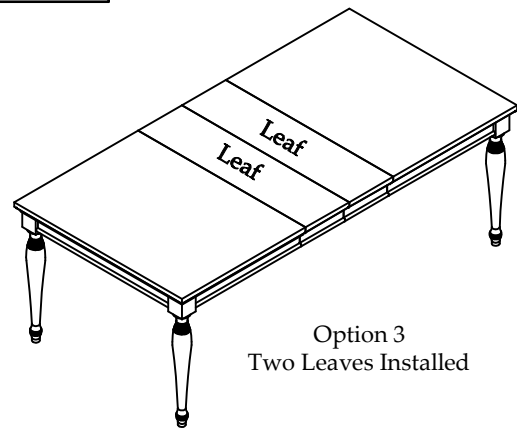
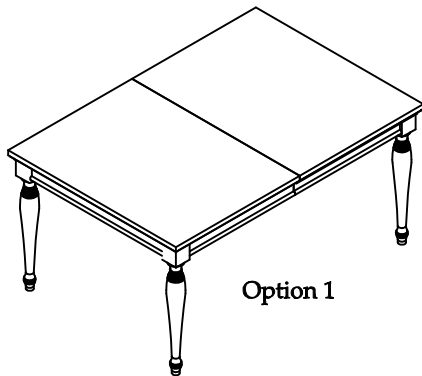
#41020-41220  
Rectangular Dining Table



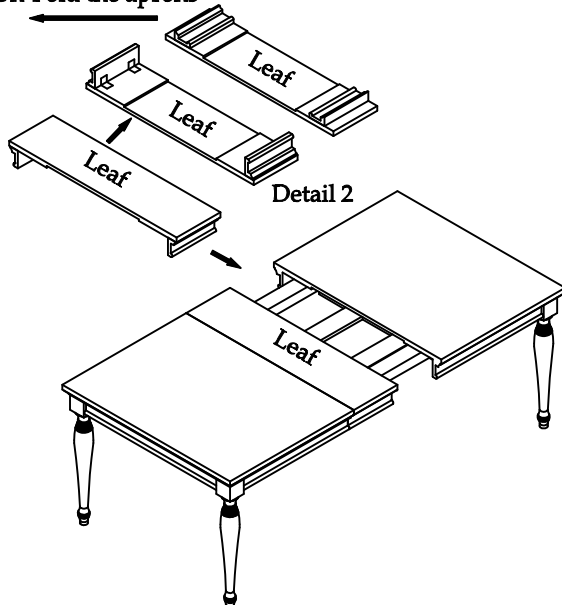
#### ASSEMBLY STEPS:

1. Carefully place the Table Top upside down on a clean, soft surface.
2. Place a Leg in the corner of the Table Top and attach the Legs with two Allen-Head Bolts (A), Spring Washers (B) and Flat Washers (C). Tighten with the Allen Wrench (D).
3. Using two people, carefully lift the completed table and set upright.

Note: To prevent undue stress on the table and legs, always carry the table from one location to the other.



Un-Fold the aprons



**Step 4:**  
To add or remove the table leaves,  
unlock the Table Locks located on the  
bottom side of the Table Top. Using  
two people, completely lift the Table off  
the floor and pull both sides open.

**Step 5:** After opening the Table Top, carefully remove the Leaf from underneath the top.

**Step 6:** Unfold the Leaf Aprons and assemble the edge of the Leaves with the Table Top.

**Step 7:** Using two people, lift the Table and push both ends back together.

**Step 8:** Reach underneath the Table Top and relock the Leaves and Table Top back together.