

INSTRUCTIONS FOR ATTACHING LYESPOT® TO LYESPAN® TRACK

INSTRUCTION SHEET NO.

IS:6210

R0490

FOR USE WITH BASIC OR ADVENT LYESPAN TRACK SYSTEMS ONLY.

READ AND UNDERSTAND THESE INSTRUCTIONS BEFORE INSTALLING FIXTURE.

This fixture is intended for installation in accordance with the National Code and local regulations. To assure full compliance with local codes and regulations, check with your local electrical inspector before installation. To prevent electrical shock, turn off electricity at fuse box before proceeding.

Retain these instructions for maintenance reference.

INSTRUCTIONS FOR ATTACHING LYESPOT TO SINGLE CIRCUIT TRACK SYSTEMS

1. Align BEAD on LYESPAN TRACK and GROOVE in FITTING before inserting into LYESPAN TRACK. See Fig. 1. (If BEAD is NOT aligned, a potential hazard may result.)
2. Position LEVER as shown in Fig. 1.
3. To attach FITTING, insert into LYESPAN TRACK. Turn LEVER 90° to make mechanical and electrical connection. See Fig. 2.
4. To remove or shift fixture location on the LYESPAN TRACK, reverse procedure as described in #3 above.

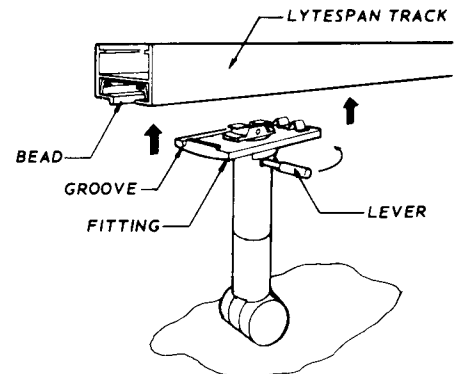


FIG. 1

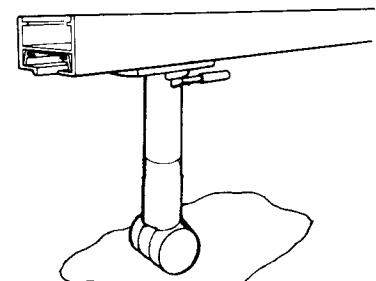


FIG. 2

NOTE: Lamp manufacturers' bulb sleeve may state "Burn only in porcelain sockets." In certain fixtures phenolic, not porcelain, sockets are used. These are of a special heat resistant type that have been tested by Lightolier and are listed by Underwriters Laboratories for use with the recommended lamps.

INSTRUCTIONS FOR CONVERTING LYESPOT ATTACHMENT FITTING TO OPERATE ON 2 CIRCUIT TRACK SYSTEMS

NOTE: To insure proper operation of Lyespots on Two Circuit Lyespan Track, the BLACK SPACER (provided) must be used at all times on the plug assembly.

The BLACK SPACER is not used when operating Lyespots on Single Circuit Track.

LOWER CIRCUIT, FIG. 3:

Illustrates contacts in low position with spacer in place for lower circuit.

UPPER CIRCUIT, FIG. 4 and 5:

To convert attachment fitting for upper circuit, raise BRASS CONTACT to high position (as indicated by dotted line) by pulling CONTACT as high as stop permits and slipping on BLACK SPACER as shown in Fig. 4 and 5.

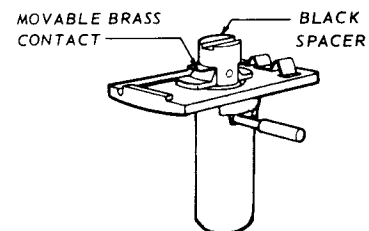


FIG. 3

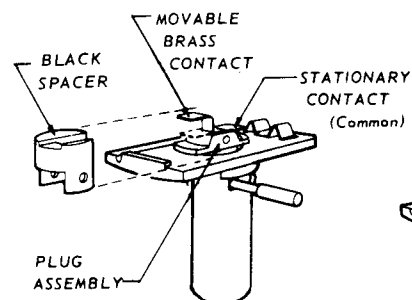


FIG. 4

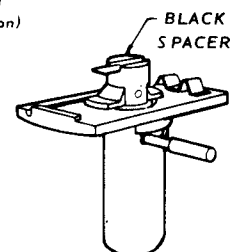


FIG. 5