

IBB

HIGH PERFORMANCE
FURNITURE FOR YOUR
HOME THEATER



Vista™

Assembly Instructions

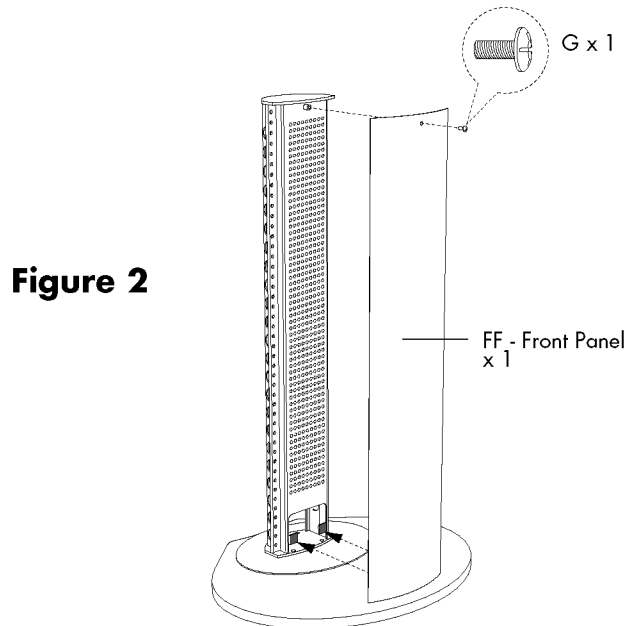
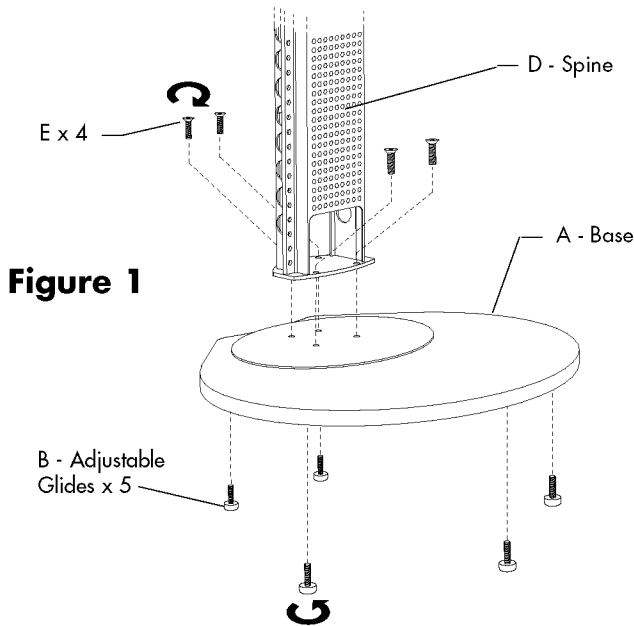
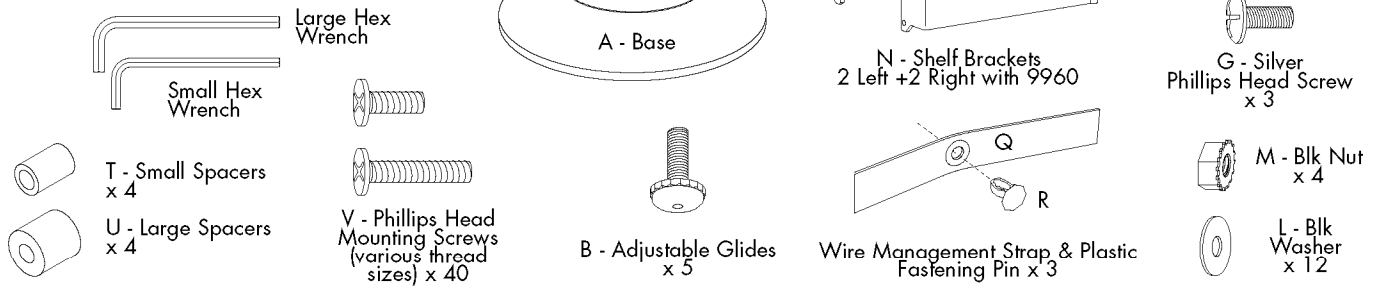
Vista™ Home Theater Furniture

Your Vista™ Home Theater Furniture is engineered for easy assembly. Carefully follow this procedure to prevent any damage.

Placement and Maintenance

Vista™ Home Theater Furniture is designed for indoor use on level floors. Clean glass with glass cleaner, and steel parts with a moist cloth.

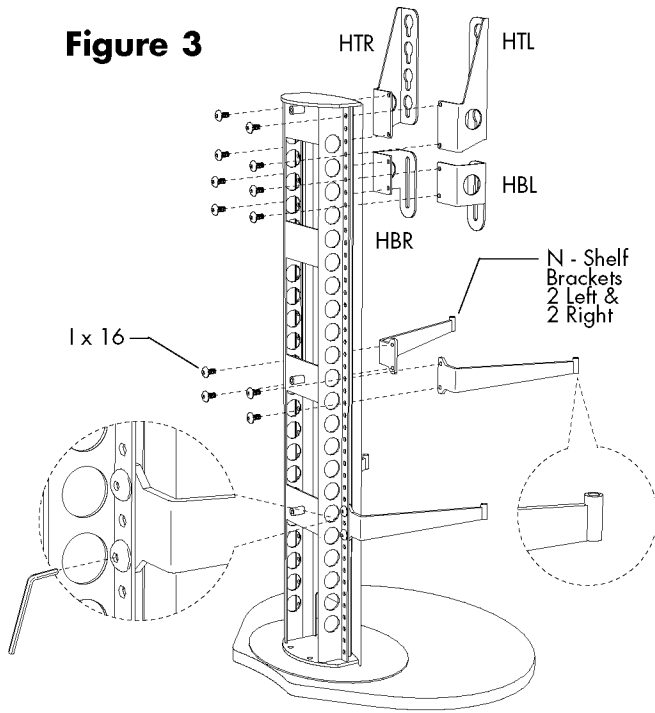
Designed by Louis A. Lara
Protected by U.S. Patent #D474047.
'Vista' is a trademark of Becker Designed, Inc.
All rights reserved. ©2004 Becker Designed, Inc.



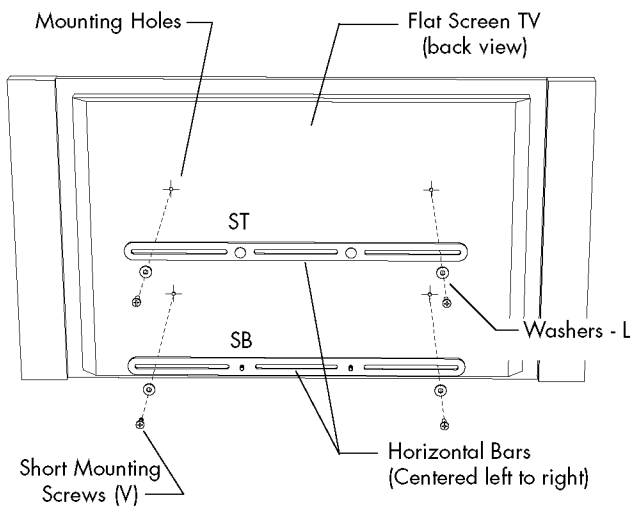
Start Here!

- 1. Unpack and identify the parts listed above.** The assembly workspace should be a non-marring surface such as carpet. If any parts are missing or damaged contact: BDI Customer Service at: customerservice@bdiusa.com
- 2. Attach Glides.** Thread adjustable glides (B) into holes on underside of base (A) (Fig. 1).

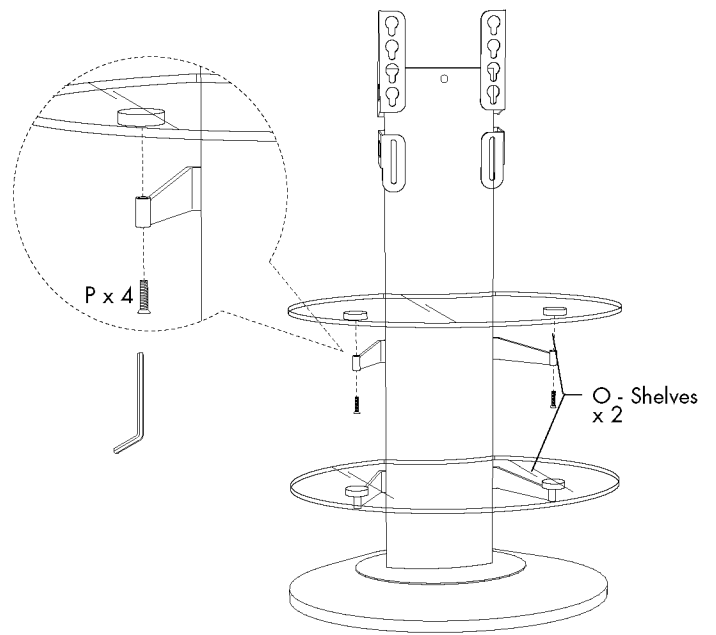
- 3. Attach Spine (D) to Base (A)** using 4 - 3/8 x 1.25" flat head screws (E) and large hex wrench provided (Figure 1).
- 4. Install Front Cover Panel (F)** to front of spine using 5/8" long Phillips head screw (G) as shown (Figure 2). Bottom end of cover panel is attached with hook and loop pads. Note: The front cover panel has a flatter curve. Back panel has a notch at the bottom.

Figure 3

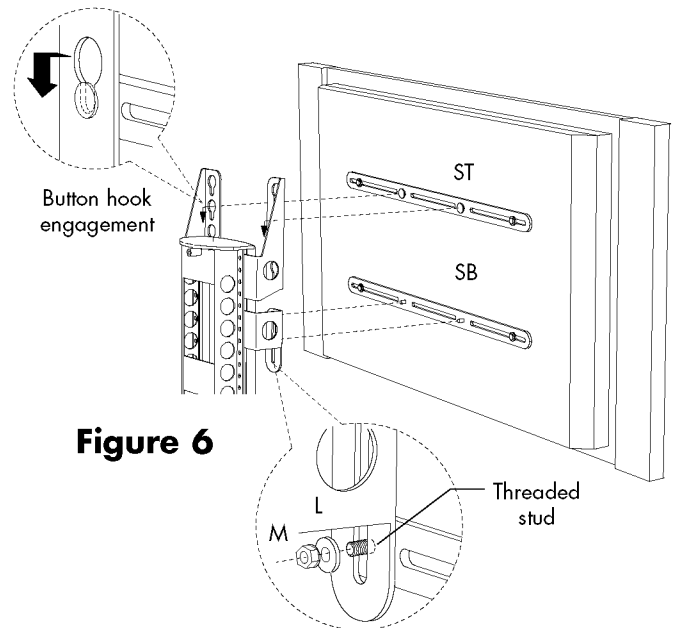
5. Attach Shelf & Screen Brackets as shown with 3/4" pan head screws (I) (Fig. 3) using large hex wrench. Slots on the face of the screen brackets should face forward. Screen brackets may need to be adjusted up or down to align with horizontal bars.

**Figure 5**

7. Install Horizontal Mounting Bars. Find mounting screws that came with your flat screen TV. If screws are not available, find the **short** Phillips head mounting screws provided with Vista that thread cleanly into the mounting holes in the back of your TV (V). The following thread sizes are included: **M5, M6, M8, 10-32 & 1/4-28**. Attach top horizontal mounting bar (ST) and bottom horizontal mounting bar (SB) to TV as shown (Fig. 5) using washers and Phillips driver. **Note:** If back of TV has a curved surface, or, if bars do not sit flat, use spacers (T or U) and long mounting screws provided. Make sure bars are centered left to right! Button hooks should be on top and threaded studs on bottom. **Fully tighten bars to TV!**

**Figure 4**

6. Install glass shelves. First, position glass shelf (O) so that discs are resting on the ends of the shelf brackets (N). Keeping one hand on the shelf, pick up one M8 x 1.5" flat head socket screw (P) and thread up through the bottom of the cylinder into the hole on the bottom of the glass mounting disc. Thread second screw into second disc. Using small hex wrench, fully tighten both left and right discs. **Note:** Each shelf will support up to 75lbs (34kg).

**Figure 6**

8. Attach flat screen TV. Carefully "hook" TV onto screen brackets as shown (Fig. 6). Make sure both button hooks drop into key hole slot and that threaded studs go into slot on bottom screen brackets (HBL & HBR). Secure with lock nuts (M) and washers (L). **Fully tighten** with wrench!! **Note:** Vista will support flat screens up to 225lbs (102kg). **Note:** Vista is NOT designed to support televisions greater than 6" in depth.

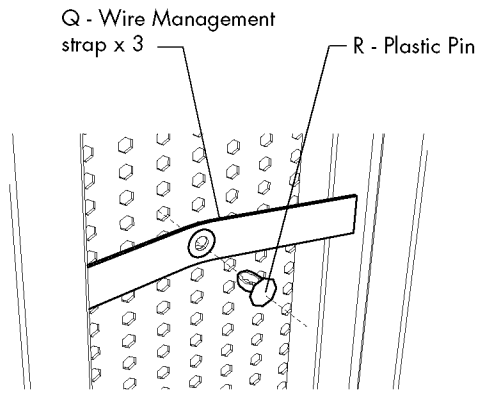


Figure 7

9. Install Wire Management Straps. Wire management straps (Q) attach to the perforated metal panel inside the Vista spine simply by pushing the plastic pin (R) into the hole in the center of the strap and into one of the holes on the panel (Fig. 7). Wrap straps around cords as shown (Fig. 8). Straps may be relocated simply by pulling out and pushing plastic pin into another hole.

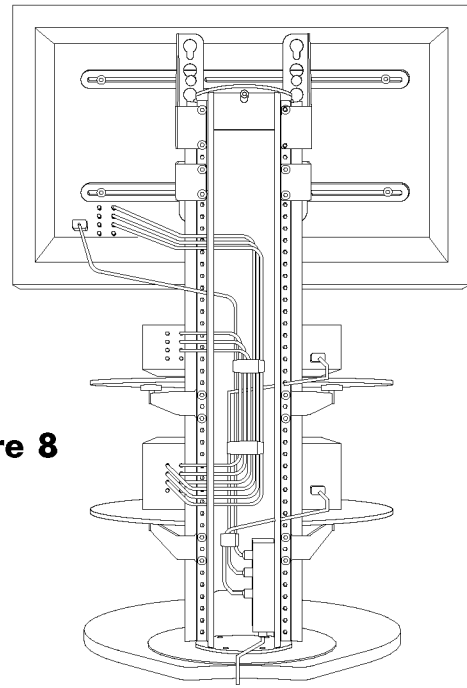


Figure 8

10. Install back cover panel. When all wires are in place and secured, install back cover panel using 2 remaining 5/8" long Phillips head screws (G). Carefully, move Vista into place by pulling and lifting on lower shelf bracket elbows. Adjust glides if necessary.

To learn more about BDI's complete line of home theater furniture, visit us on the web at www.bdiusa.com.

Enjoy!



9950 Vista Plasma Stand
 Max TV: 50"
 Overall (H x W x D) 55" x 29" x 23.5"
 Plasma Screen Max. Weight 225lbs(102kg)



9960 Vista Plasma Stand with 2 Shelves
 Max TV: 50"
 Overall (H x W x D) 55" x 29" x 28"
 Plasma Screen Max. Weight 225lbs(102kg)
 Shelf Capacity: 75lbs(34kg) per shelf

Vista™

Becker Designed, Inc.

www.bdiusa.com