

Warning:
Do not allow children on the playset until
it has been completely built and properly anchored

ASSEMBLY INSTRUCTIONS

Swing•N•Slide • 1212 Barberry Drive • Janesville, Wisconsin 53545
Visit our web site at: www.swing-n-slide.com or call us at 1-800-888-1232

Save this instruction sheet in the event the manufacturer needs to be contacted.

Observing the following statements and warnings reduces the likelihood of serious or fatal injury.

Installation Safety – Have You:

- Consulted the assembly instructions supplied with your particular model?
 - Consulted the assembly instructions of your particular model for minimum use zones?
 - Used a water sealant on your play set to protect the wood and prevent cracking and warping?
 - Placed the equipment on level ground, not less than six feet (1.8 meters) from any structure or obstruction such as a fence, garage, house, overhanging branches, laundry lines, or electrical wires?
 - Made sure home playground equipment is not installed over concrete, asphalt, packed earth or any other hard surface? (A fall onto a hard surface can result in serious injury to the equipment user.)
 - Followed all anchoring and shock absorbing surfacing requirements as they apply?
 - Made sure all hardware is tightened securely? (Supplied bolt covers must also be fastened securely.)
 - Using a hacksaw, cut off all protruding threaded ends of bolts and other fasteners and remove any sharp edges with a metal file as needed, and coated fastener ends with lead free paint?
 - Verified that suspended climbing ropes, chain or cable are secured at both ends?
 - Made sure not to allow children to use equipment until it is properly installed?
 - Made sure to adjust all swings so there is a minimum 8" clearance between the swing and the ground surface?
 - Noted this accessory is to be used only on Swing•N•Slide approved designs?
- (Do not alter its design or add/remove components.)

Operating Safety – Have You:

- Determined that on-site adult supervision is provided for children of all ages?
- Determined that only one child per planned occupant seat should be allowed on this set at one time.
- Determined children must be dressed appropriately for play. Avoid hooded jackets, bicycle helmets, clothing with draw strings and loose fitting clothes which could become entangled or snagged on equipment.
- Determined that suspended climbing ropes, chain, or cable cannot be looped back upon itself.
- Made certain the slide is placed so that is not in direct sunlight.
- Warned children the following before allowing them to use the equipment?
 - Not to walk close to, in front of, behind or between moving items.
 - Not to twist swing or any other accessory chains or ropes or loop them over the top support bar since this will reduce the strength of chain or rope.
 - Not to swing empty seats or other accessories.
 - Not to slide down swing chains.
 - Be sure to sit in the center of the swing seat and other accessories with full weight on the seat.
 - Not to attach items to the playground equipment that is not specifically designed for use with the equipment such as but not limited to, jump ropes, clotheslines, pet leashes, cables and chain. They may cause a strangulation hazard.
 - Not to climb or walk on the top of swing beams, railings or roof.
 - Not to use equipment in a manner other than intended.
 - Not to get off equipment while it is in motion.
 - Not to climb on the equipment when it is wet.
 - Be sure to go down slides feet first.

Safety Maintenance – At the beginning of every season and twice monthly thereafter:

- Rake and check depth of loose fill protective surfacing material to prevent compaction and maintain appropriate depth. Replace as necessary.
- Check all nuts, bolts and Quick Links during the usage season for tightness and tighten as required. (It is particularly important that this procedure be followed at the beginning of each season.)
- To prevent the deterioration of materials, remove plastic swing seats and other plastic accessories when outdoors temp dips down to or below 32° F and take indoors.
- Oil all metallic moving parts monthly during usage period.
- Check all hardware and equipment for sharp edges during usage season. (Replace when necessary. It is especially important to do this at the beginning of each new season.)
- Check swing seats, chains, ropes and cables monthly during usage season for evidence of deterioration. Severe rusting or excessive wear, especially near the top swing hanger or at the seat connection are evidence of chain deterioration. Cracks in the protective plastic sleeve or seat itself are also signs of deterioration. If any of these conditions exist, call 1-800-888-1232 to order replacement accessories.
- Sand rusted metal parts and repaint using non-lead based paint.
- Check all wood members for deterioration and splinters. Sand down splinters and replace deteriorating wood members.

Disposal Instructions

When the equipment is taken out of service, it must be disassembled and disposed of in such a way that no unreasonable hazards will exist at the time the set is discarded.

*This product is intended for single family home/residential use only and not intended for use in any public setting.
Placement in any public setting constitutes a misuse of this product.*

IMPORTANT!

Additional required safety installation instructions

According to ASTM requirements, all kits must be anchored to the ground and if the unit has a climbing rope, the rope must be anchored to the ground. If soil conditions permit stakes to be pulled out easily, cementing into the ground is necessary.

- To anchor the unit to the ground;
 - Follow the instructions included in this plan for applying Anchor-It devices to your unit **or**
 - Use a 2" x 4" x 18" (51mm x 102mm x 457mm) pressure treated stakes.
Pound stakes into ground at least 12" (305mm) at all inside corners of the posts (Including A-frame legs & climbing units posts).
Attach with four (4) 16d galvanized nails or 2-1/2" galvanized screws per stake into each post/A-frame.
- If the unit has a climbing rope;
 - Anchor the rope end

Once the unit is completely assembled and before children are allowed to play on it, proper shock-absorbing surfacing material must be installed. This may be accomplished by using loose-fill materials at a sufficient depth. The Consumer Product Safety Commission "Handbook for Public Playground Safety" lists the following materials and required depths that are sufficient for home/residential application.

For fall height protection up to 9 ft. (2.742m) [recommended for Swing-N-Slide kits]:

<u>Loose Fill Material</u>	<u>Required (Uncompressed) Depth¹ in(mm)</u>
Wood Mulch	9" (229mm)
Double Shredded Bark Mulch	9" (229mm)
Uniform Wood Chips	12" (305mm)
Fine Sand	12" (305mm)
Fine Gravel	12" (305mm)

¹These depths were derived from the CPSC Handbook. Swing-N-Slide has not done independent tests to determine these required depths.

When properly installed, shock absorbing material will completely cover the horizontal baseboards on climbing units. This protective surfacing must extend a minimum of 6 ft. (1.828m) in all directions from the perimeter of the equipment or from the outermost edges of any component. For example, a slide extending beyond the platform must have protective surfacing at least 6 ft. (1.828m) out from both sides as well as the end. For swings, the protective surface must extend at least 14 ft. (6m) out from both the back and front of the swing when the swing is in its rest position.

For further information on playground safety, the Consumer Product Safety Commission (CPSC) publishes the Outdoor Home Playground Safety Handbook which can be downloaded for free from www.cpsc.gov. An additional resource is the American Society of Testing and Materials (ASTM) Standard Consumer Safety Performance Specification for Home Playground Equipment (ASTM F1148).

Swing-N-Slide® MANUFACTURERS LIMITED WARRANTY

Swing-N-Slide® takes great pride in the quality and durability of our products. Our Manufacturer's Limited Warranty provides confidence and demonstrates our commitment to providing quality residential playground products.

MANUFACTURER'S LIFETIME LIMITED WARRANTY

Swing-N-Slide® warrants its thermoformed slides and climbing mountains to be free from defects in workmanship and materials, under normal use and conditions, for the lifetime of the product.

MANUFACTURER'S 5 YEAR LIMITED WARRANTY

Swing-N-Slide® warrants its Custom Ready-to-Build Play Set kits and accessories to be free from defects in workmanship and materials, under normal use and conditions, for a period of 5 years.

MANUFACTURER'S 5 YEAR LIMITED WARRANTY

Swing-N-Slide® warrants its No-Cut and Wood Complete Ready-to-Assemble Play Set kits against wood rot and termite damage, and to be free from defects in workmanship and materials, under normal use and conditions, for a period of 5 years for structural wood components.

Cosmetic defects that do not affect the structural integrity of the product, or natural defects of wood such as warping, splitting, checking, twisting, shrinkage, swelling or any other physical properties of wood that do not present a safety hazard, are not covered by this warranty.

MANUFACTURER'S ONE YEAR WARRANTY

Swing-N-Slide® warrants its canopy roofs and/or tarps, and Timber GLOVE lumber wrap to be free from defects in workmanship and materials, under normal use and conditions, for a period of one year.

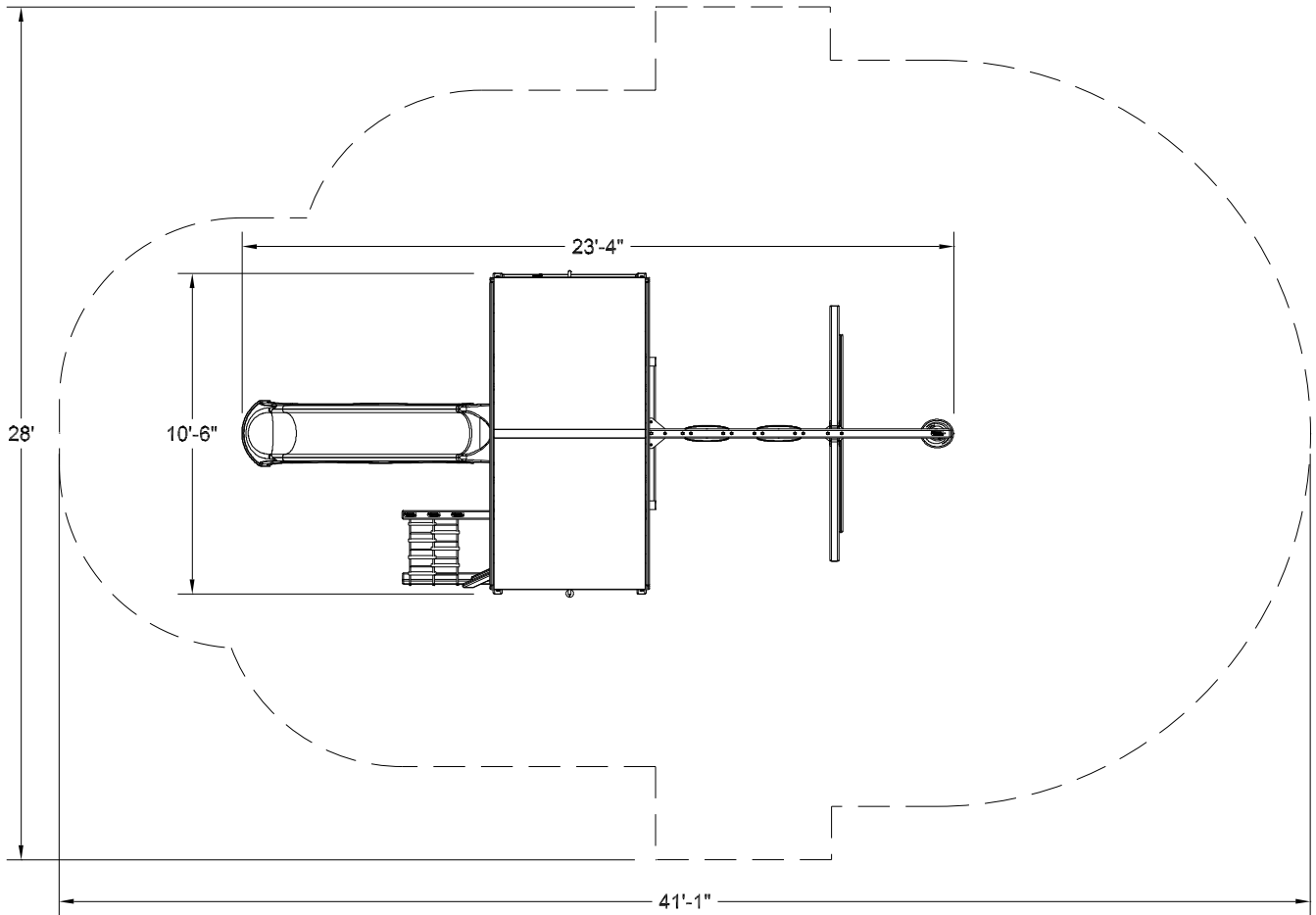
Swing-N-Slide® will repair, or at its discretion, replace any part within the stated warranty period which is defective in workmanship or materials. This decision is subject to verification of the defect upon delivery of the defective part to Swing-N-Slide® at 1212 Barberry Drive, Janesville, Wisconsin, 53545. Any part(s) returned to Swing-N-Slide® must have prior approved Return Authorization Number and proof of purchase, including the date of purchase. This warranty is valid only if the product is used for the purpose for which it was designed and installed at a residential, single family dwelling. This warranty is void if the product is put to commercial or institutional use. This warranty does not cover (a) products which have been damaged by acts of Nature, negligence, misuse, or accident, or which have been modified or repaired by unauthorized persons; (b) the cost of labor; or the cost of shipping the product, any part, or any replacement product or part.

Swing-N-Slide® DISCLAIMS ALL OTHER REPRESENTATIONS AND WARRANTIES OF ANY KIND, EXPRESS, IMPLIED, STATUTORY OR OTHERWISE, INCLUDING THE IMPLIED WARRANTIES OF MERCHANTABILITY AND FITNESS FOR A PARTICULAR PURPOSE. Swing-N-Slide® WILL NOT BE LIABLE FOR ANY INCIDENTAL OR CONSEQUENTIAL DAMAGES. This warranty is non-transferable and does not extend to the owners of the product subsequent to the original purchaser. Some states do not allow limitations on implied warranties or exclusion of incidental or consequential damages, so these restrictions may not be applicable to you. This warranty gives you specific legal rights. You may also have other rights, which vary from state to state.

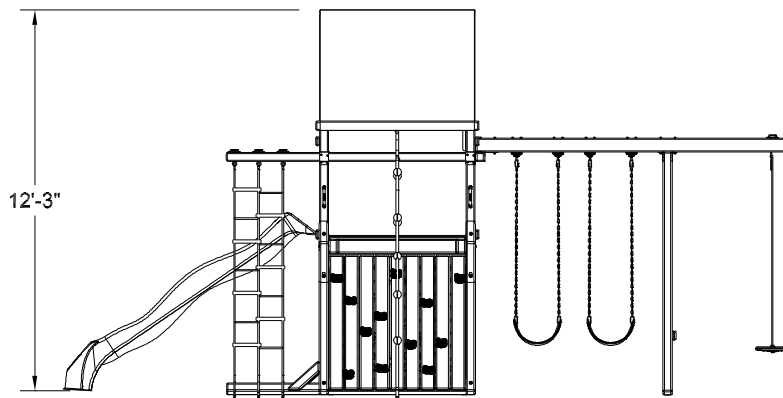
This warranty also does not apply to:

- Structures not erected, maintained or inspected in conformance with Swing-N-Slide® installation plans
- Structures that have had parts added or substituted not in conformance with Swing-N-Slide® installation plans
- Parts that have been modified, altered or misused
- Parts that have not been used as designed or intended
- Damage due to acts of Nature, vandalism, abnormal use or abuse as determined by Swing-N-Slide®

DIMENSIONS



MINIMUM USE ZONE FOR PLAY EQUIPMENT SHALL EXTEND NO LESS THAN 72" FROM ALL SIDES OF THE PLAY STRUCTURE. SWING USE ZONE EXTENDS NO LESS THAN 144".



TOOLS REQUIRED



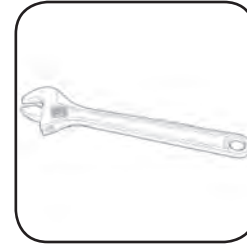
DRILL



1/2" & 9/16" SOCKET & WRENCH



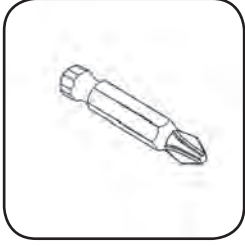
HAMMER



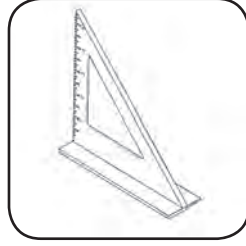
ADJUSTABLE WRENCH



TAPE MEASURE



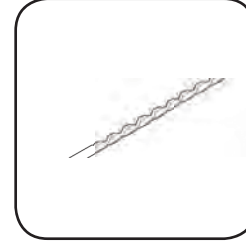
PHILLIPS BIT



CARPENTER SQUARE

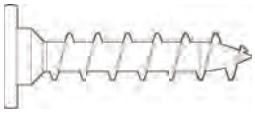


SAFETY GLASSES

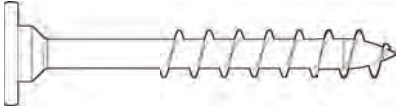


1/8" DRILL BIT

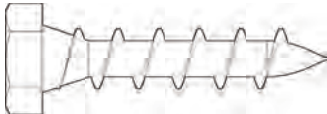
INCLUDED HARDWARE



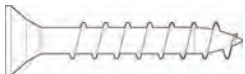
1-1/4" Lag Screw (x20)



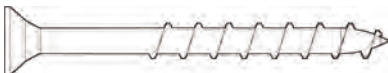
2" Lag Screw (x72)



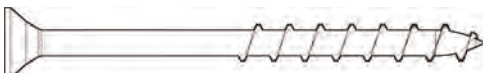
5/16" x 1-1/2" Lag Screw (x6)



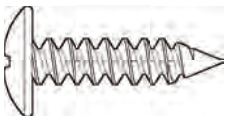
1-1/4" Deck Screw (x2)



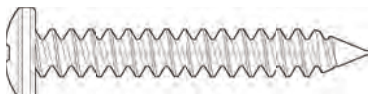
2" Deck Screw (x8)



2-1/2" Deck Screw (x315)



#14 x 1" Truss Screw (x4)



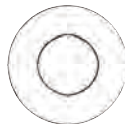
1/4" x 1-3/4" Pan Screw (x8)



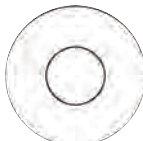
1/4-20 Weld Nut (x48)



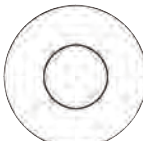
1/4" Loc Washer (x48)



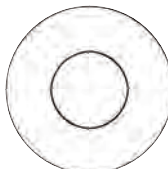
8mm Washer (x48)



1/4" Washer (x8)



5/16" Washer (x28)



3/8" Washer (x24)



1/4"-20 x 2-1/4" Hex Bolt (x48)



5/16"-18 x 3-1/2" Hex Bolt (x2)



5/16" Loc Nut (x20)



3/8" Loc Nut (x24)



3/8" Drill Bit (x1)



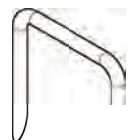
T-20 Bit (x1)



T-30 Bit (x1)

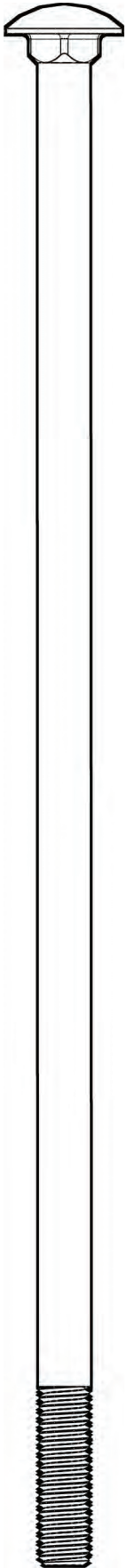


1/2" Rope Staple (x6)

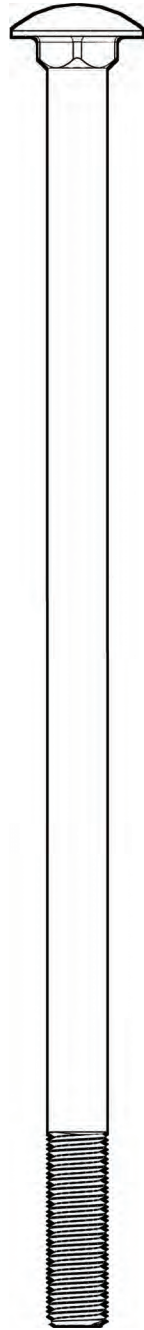


1" Rope Staple (x4)

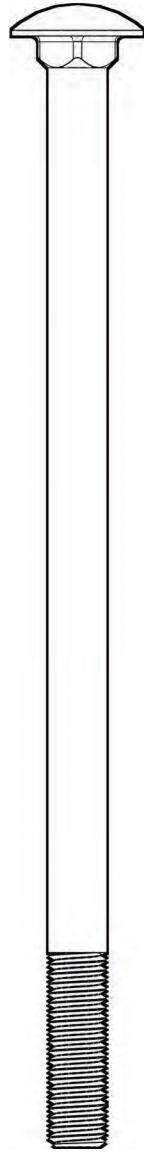
INCLUDED HARDWARE



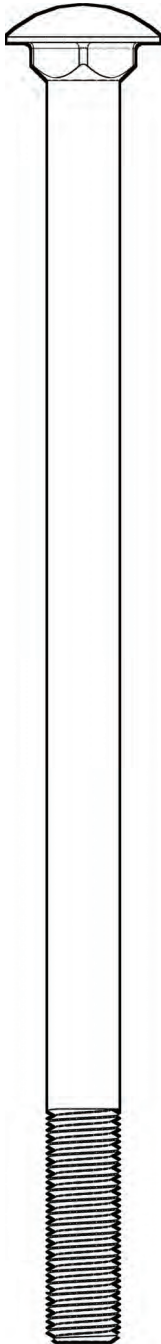
5/16"-18 x 9" Carriage Bolt (x1)



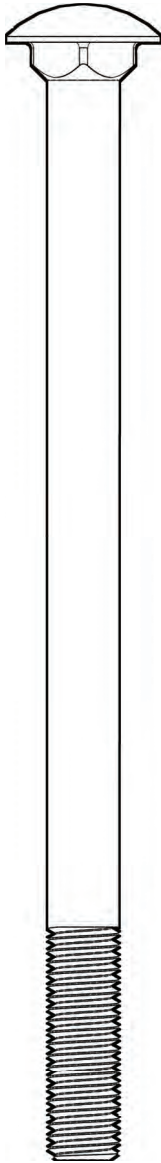
5/16"-18 x 7" Carriage Bolt (x4)



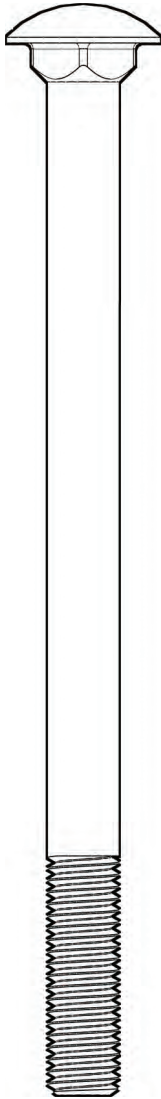
5/16"-18 x 6" Carriage Bolt (x3)



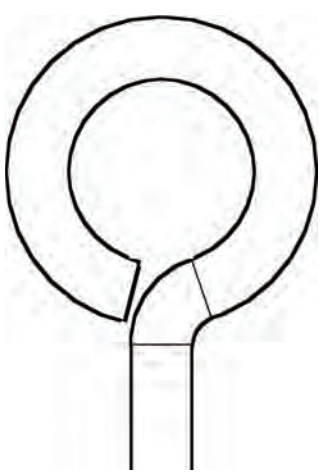
3/8"-16 x 7" Carriage Bolt (x14)



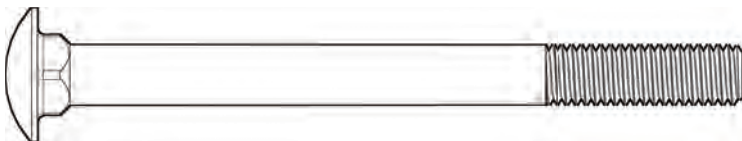
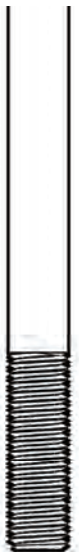
3/8"-16 x 6" Carriage Bolt (x8)



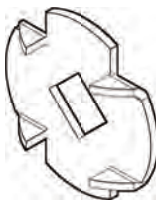
3/8"-16 x 5-1/2" Carriage Bolt (x2)



5/16"-18 x 7-3/8" Eye Bolt (x4)



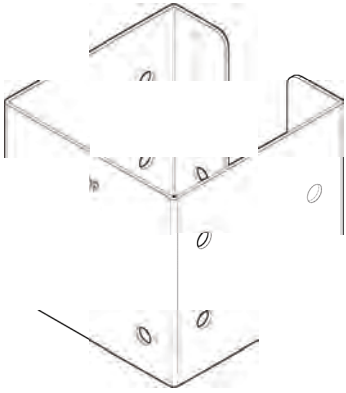
5/16"-18 x 3-3/4" Carriage Bolt (x2)



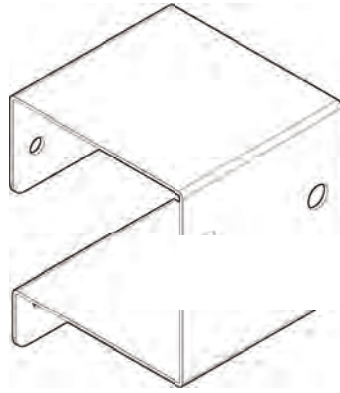
5/16" Wood Loc Washer (x10) 3/8" Wood Loc Washer (x24)

NOTE:
Included hardware is used for multiple kits and will result in extra parts.

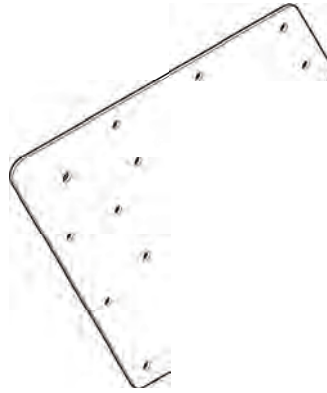
INCLUDED COMPONENTS



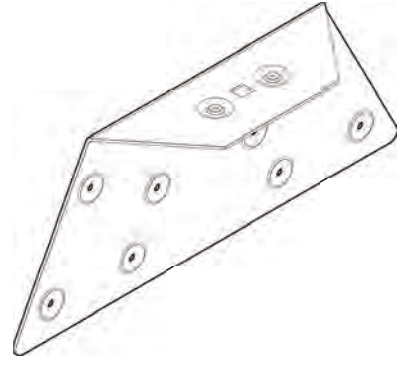
4x4 Wrap Loc (x3)



4x4 Shelf Loc (x4)



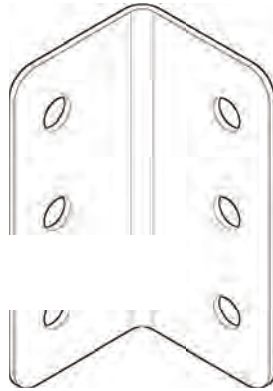
Angle Brace (x4)



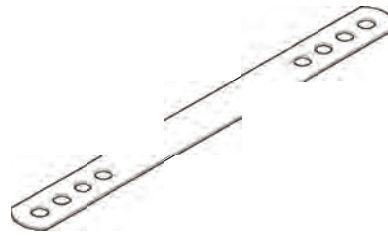
EZ Frame Bracket (x2)



Beam Brace (x1)



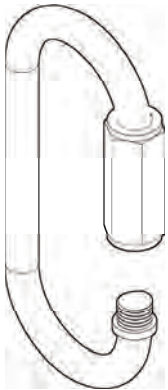
L Bracket (x4)



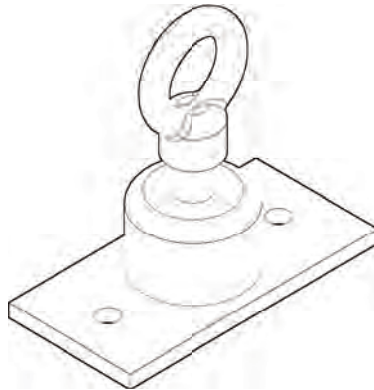
Anchor It Strap (x6)



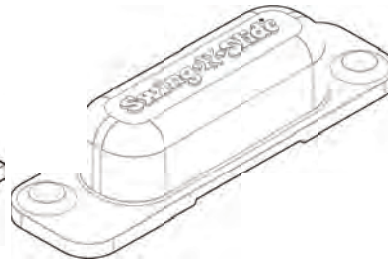
Anchor It (x6)



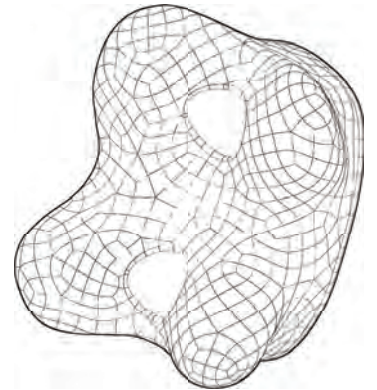
Quick Link (x12)



Swivel (x1)



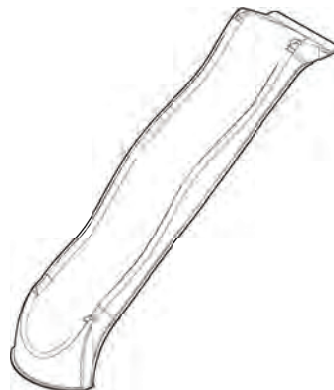
Bolt Cover (x4)



Climbing Rock (x24)



Steering Wheel w/ Hdw (x1)



Super Speedwave Slide (x1)



Play Handle (x4)



Cargo Net (x1)

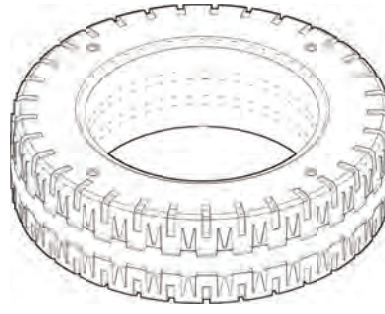
INCLUDED COMPONENTS



Disc Swing (x1)



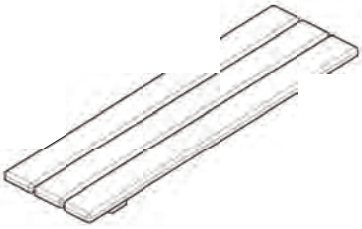
XD Swing Seat (x2)



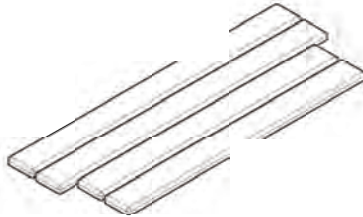
Tire Swing (x1)



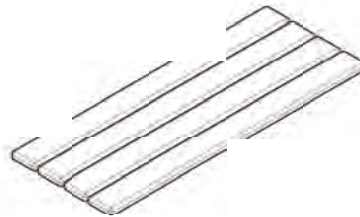
33" Coated Chain (x4)



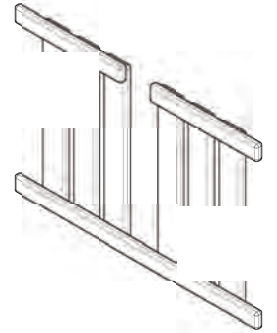
SA 2891
Rock Wall Panel (x3)



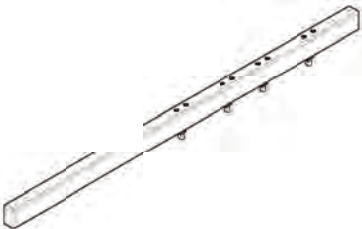
SA 2889
Deck Panel A (x2)



SA 2890
Deck Panel B (x1)



SA 2892
Swing Beam Panel (x1)



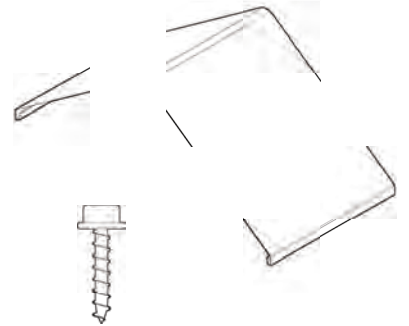
SA 2904
Swing Beam Assembly (x1)



ID Tag w/ Hdw (x1)



Plan (x1)



Tarp w/ Hdw (x1)



Climbing Rope (x2)

BOARD LIST



2 - PF 4523 (4x6x105-1/4 Joist)



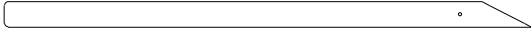
2 - PF 4522 (4x4x104)



1 - PF 4521 (4x4x96 Accessory Arm Top)



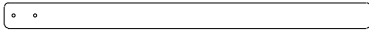
1 - PF 4520 (4x4x96 Accessory Arm Bottom)



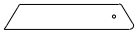
4 - PF 4519 (4x4x73-1/2 Upright)



1 - PF 4518 (4x4x60 Swing Beam Support)



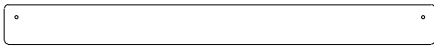
4 - PF 4517 (4x4x51 Post)



4 - PF 4516 (4x4x18-3/8 Upright Support)



1 - PF 4529 (2x6x76 Racking Support)



1 - PF 4515 (2x6x60 Base)



2 - PF 4514 (2x6x60)



9 - PF 4512 (2x6x53)



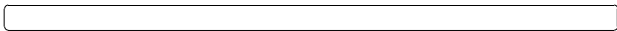
2 - PF 4511 (2x6x46)



4 - PF 4510 (2x6x37)



2 - PF 4509 (2x4x120)



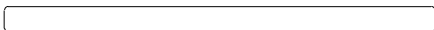
1 - PF 4508 (2x4x85-1/2)



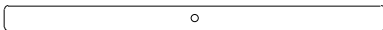
1 - PF 4507 (2x4x78)



2 - PF 4506 (2x4x63)



2 - PF 4505 (2x4x60)



1 - PF 4536 (2x4x60 Rope Support)



2 - PF 4528 (2x4x53)



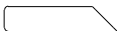
1 - PF 4504 (2x4x51)



2 - PF 4527 (2x4x18)



2 - PF 4501 (2x4x18 Angle Support)



1 - PF 4526 (2x4x15-3/4 Slide Stake)



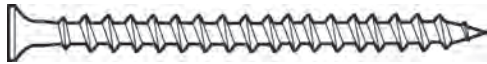
2 - PF 4525 (2x2x57-1/2)

USE THE CORRECT FASTENER

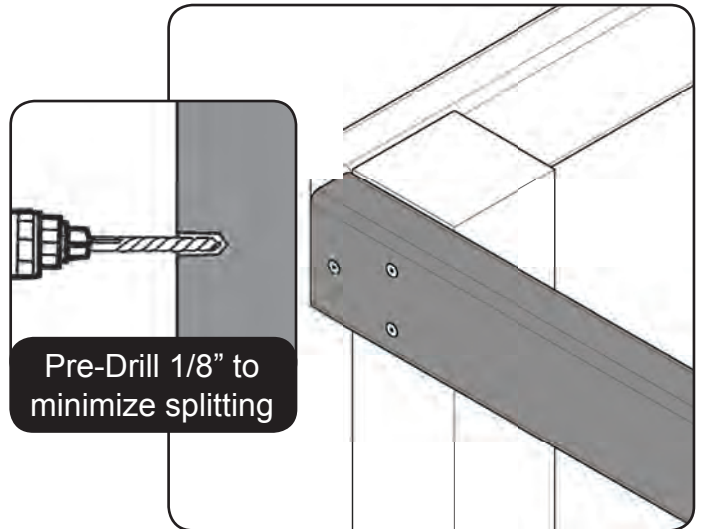
Use the guides below to help select the correct length, quantity & location of screws for the board installation.

Avoid splitting your lumber by offsetting your screws at least 3/4" from edge. All hardware should be driven until flush with the surface or no deeper than 1/16".

2x4 to 4x4 & 4x6



(3) 2-1/2" screws
per attachment point

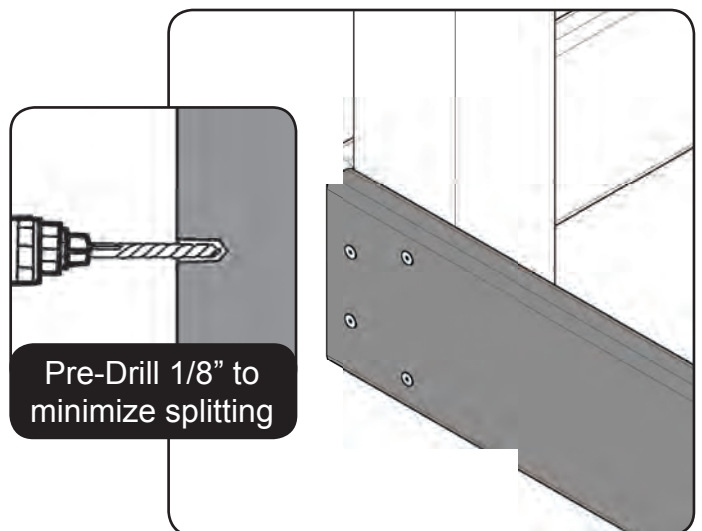


Pre-Drill 1/8" to
minimize splitting

2x6 to 4x4 & 4x6



(4) 2-1/2" screws
per attachment point

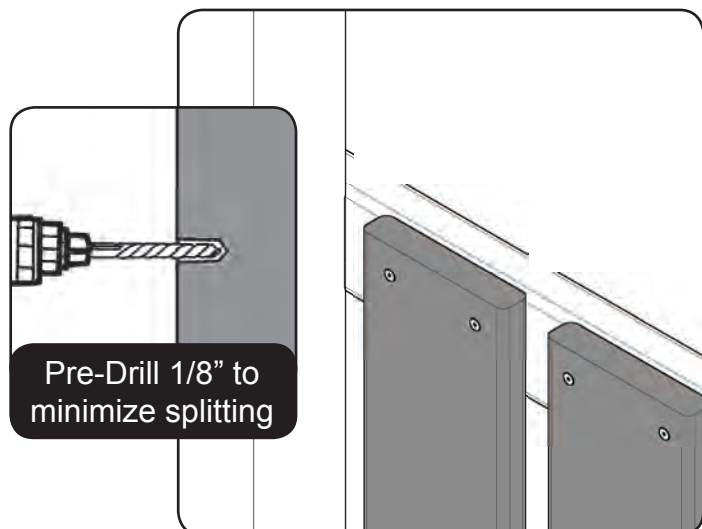


Pre-Drill 1/8" to
minimize splitting

2x4 & 2x6 to 2x4 & 2x6



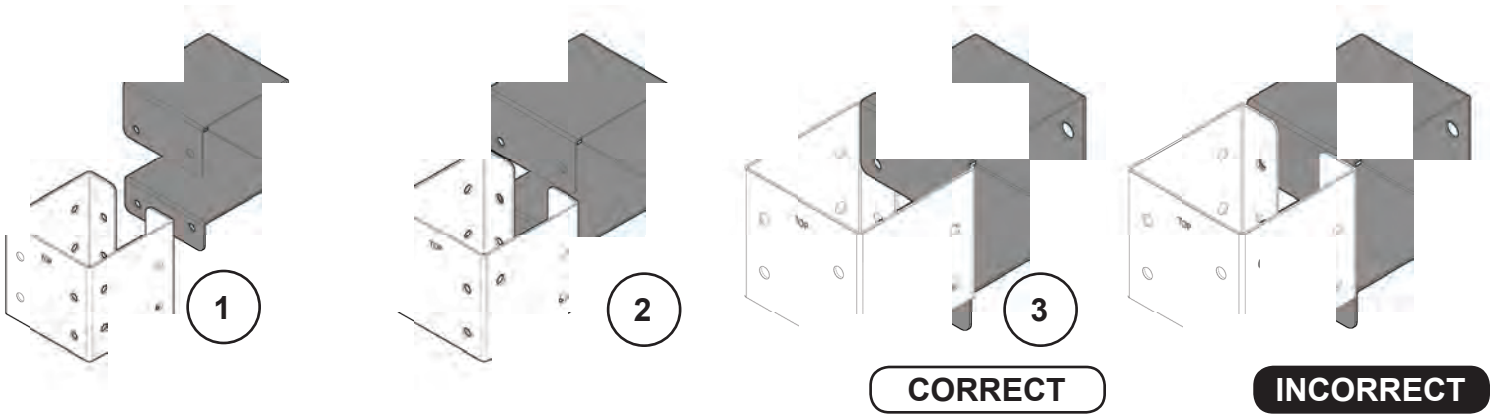
(2) 2-1/2" screws
per attachment point



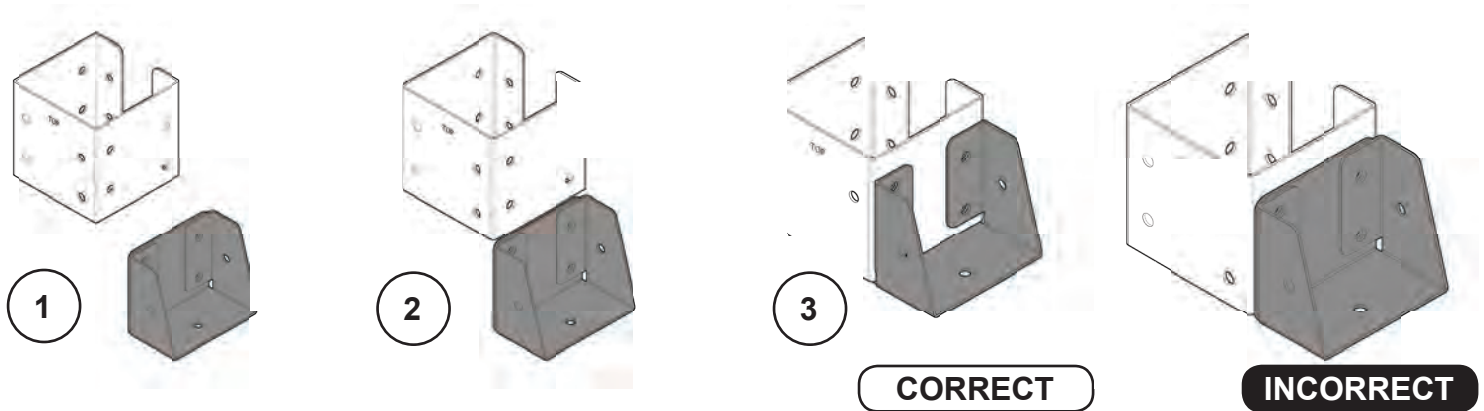
Pre-Drill 1/8" to
minimize splitting

BRACKET INSTALLATION

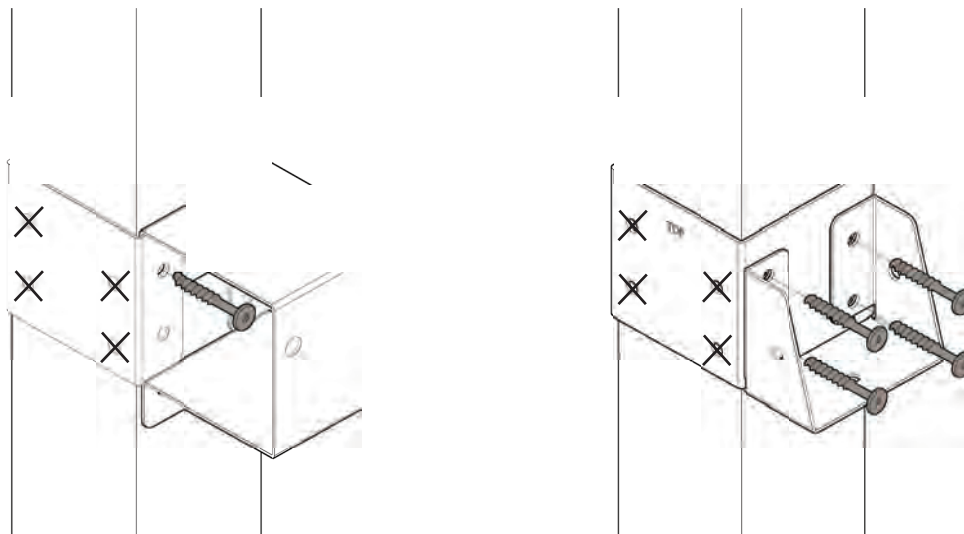
Shelf-Loc bracket



Cup-Loc bracket



Bracket mounting

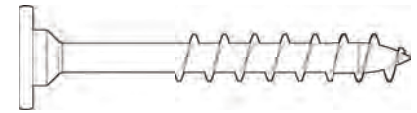
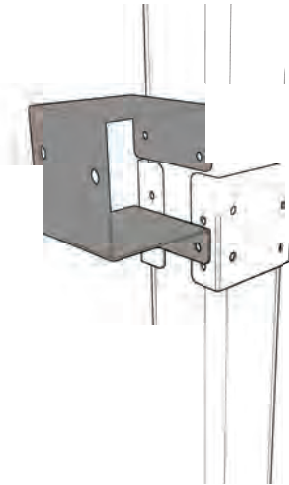
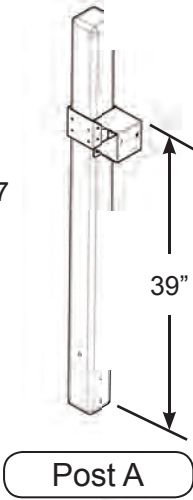


1. **Always** use lag screws
2. Brackets interlock with each other. **NEVER** position them in a non-interlocking position.
3. Place lag screws in brackets only where instructed.

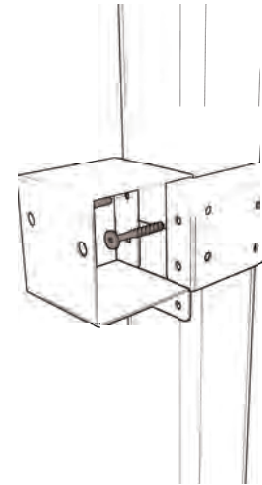
Do **NOT** fill in every hole as this will lead to a hardware shortage.

STEP 1

PF 4517
4x4x51

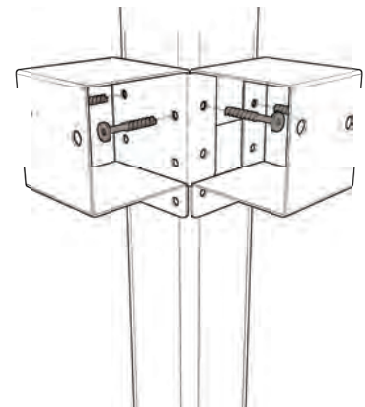
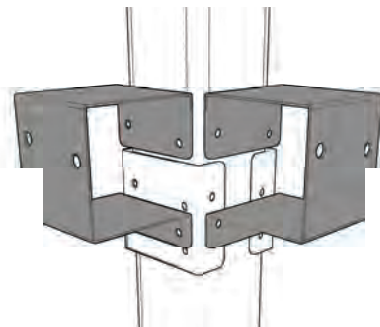
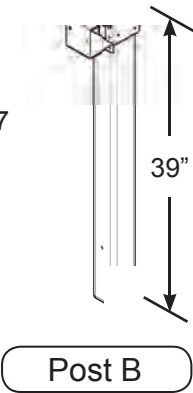


2" Lag Screw (x8)



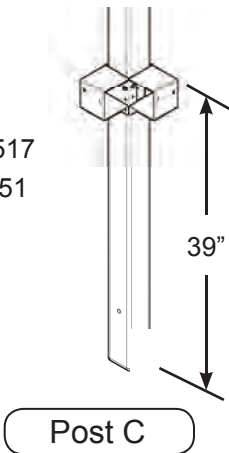
(2) 2" Lag Screws
per bracket

PF 4517
4x4x51



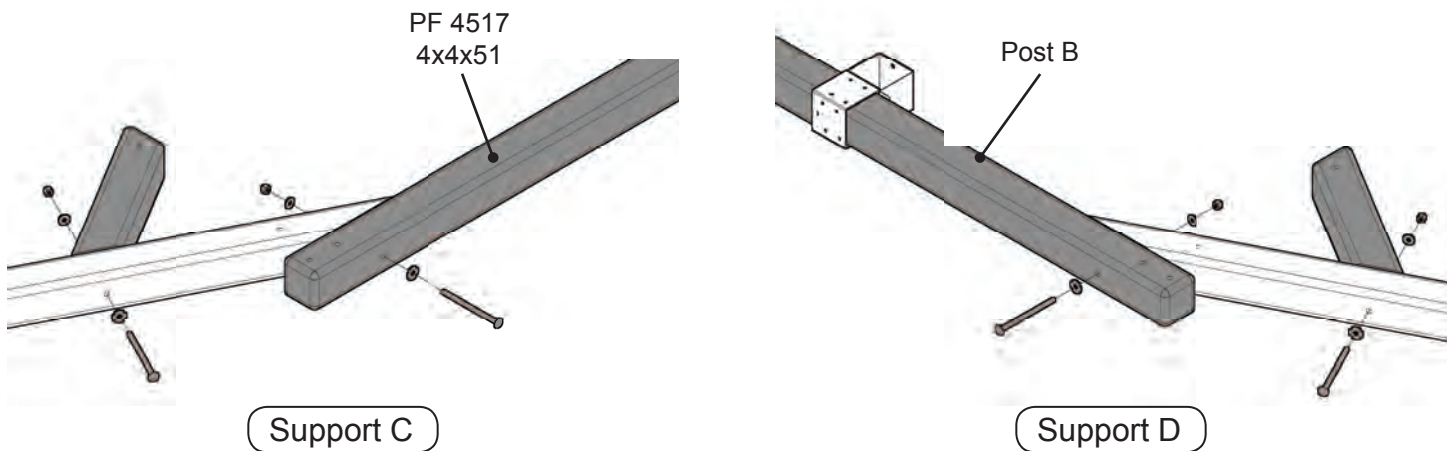
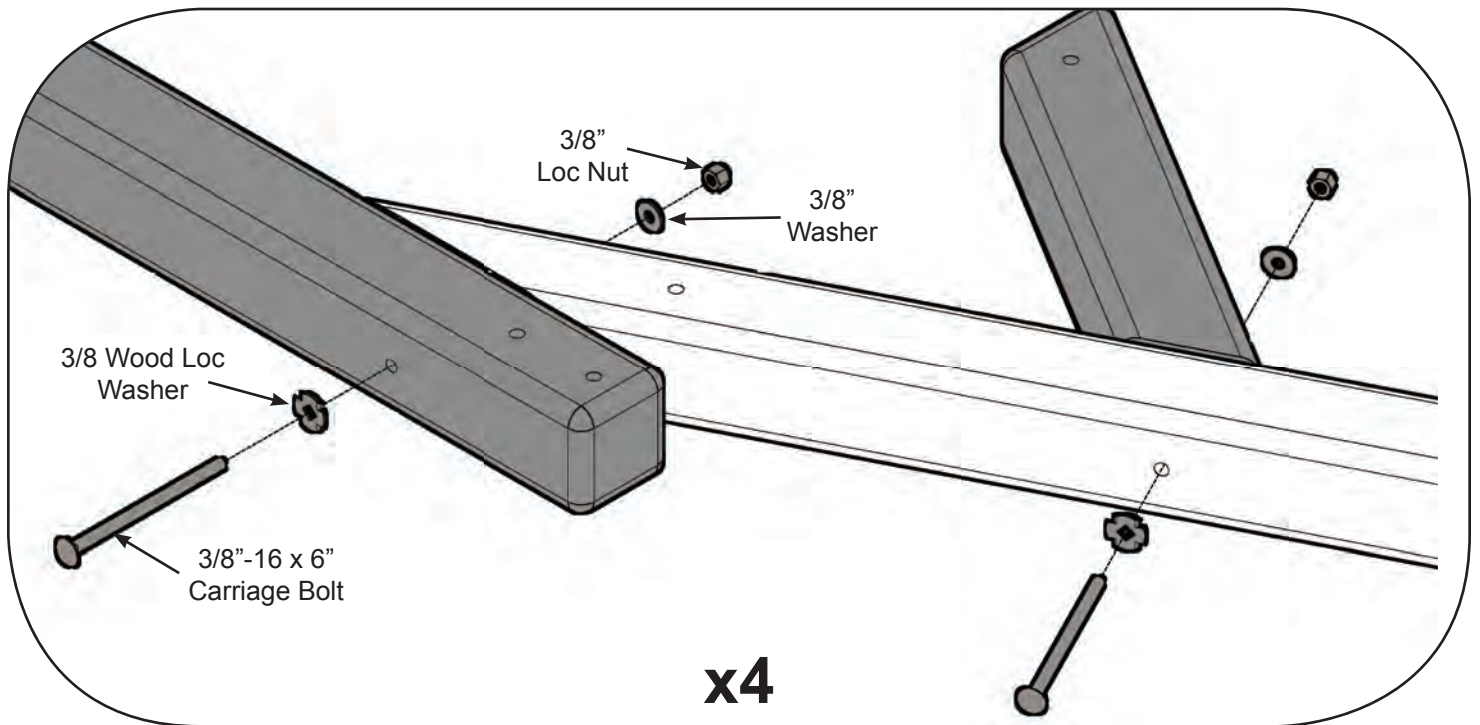
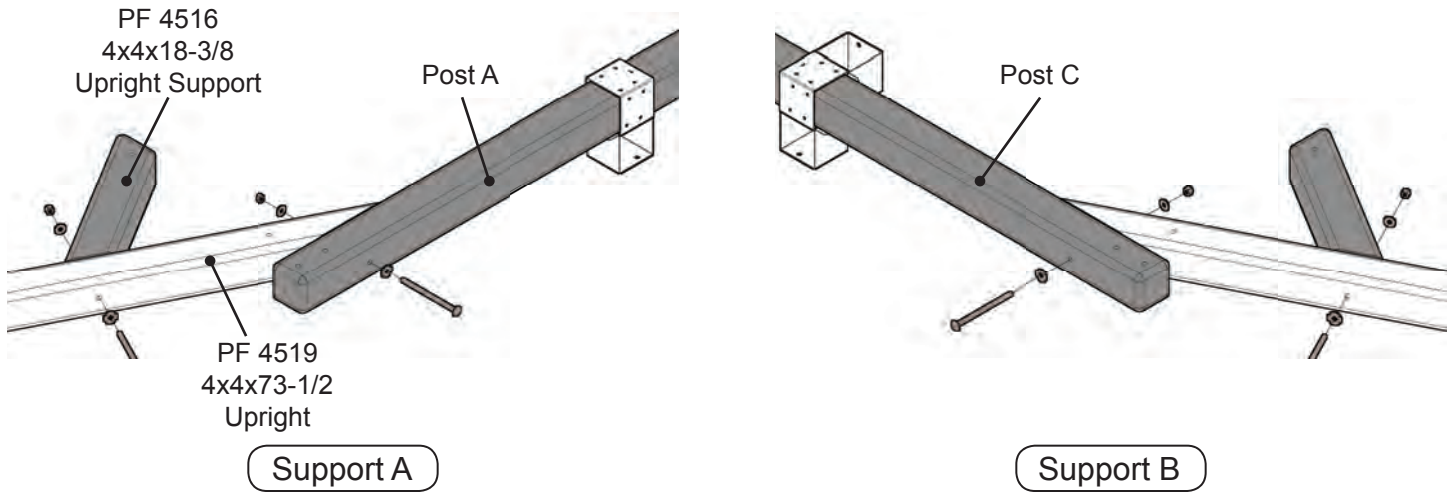
(2) 2" Lag Screws
per bracket

PF 4517
4x4x51



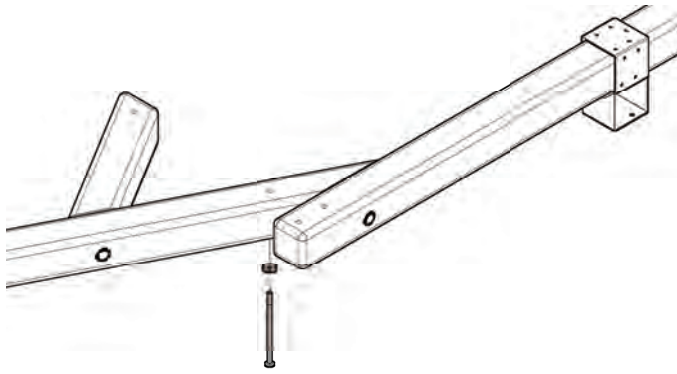
1. Attach brackets as shown. **Note** the hole orientation of the board.

STEP 2

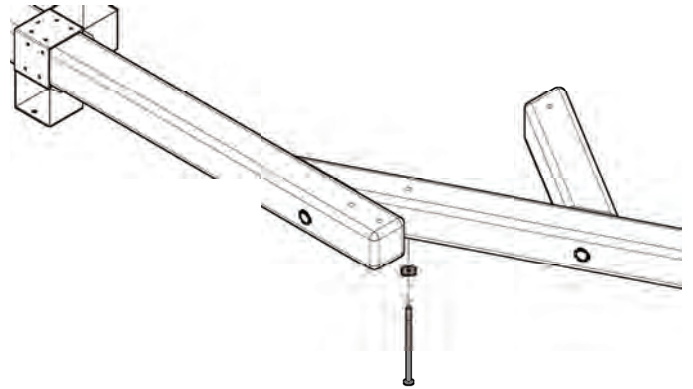


1. Attach Upright & Upright Support(s) to Post(s) as shown. **Note** the post & bracket orientation.

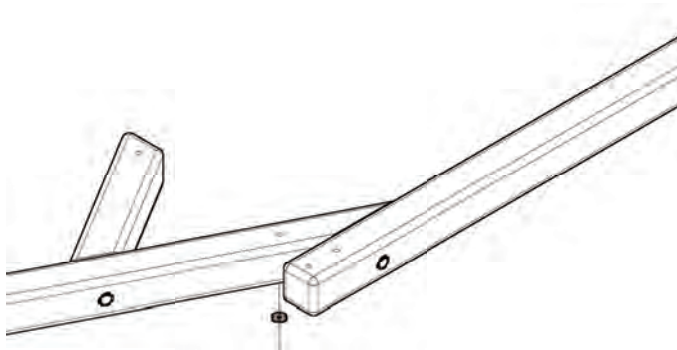
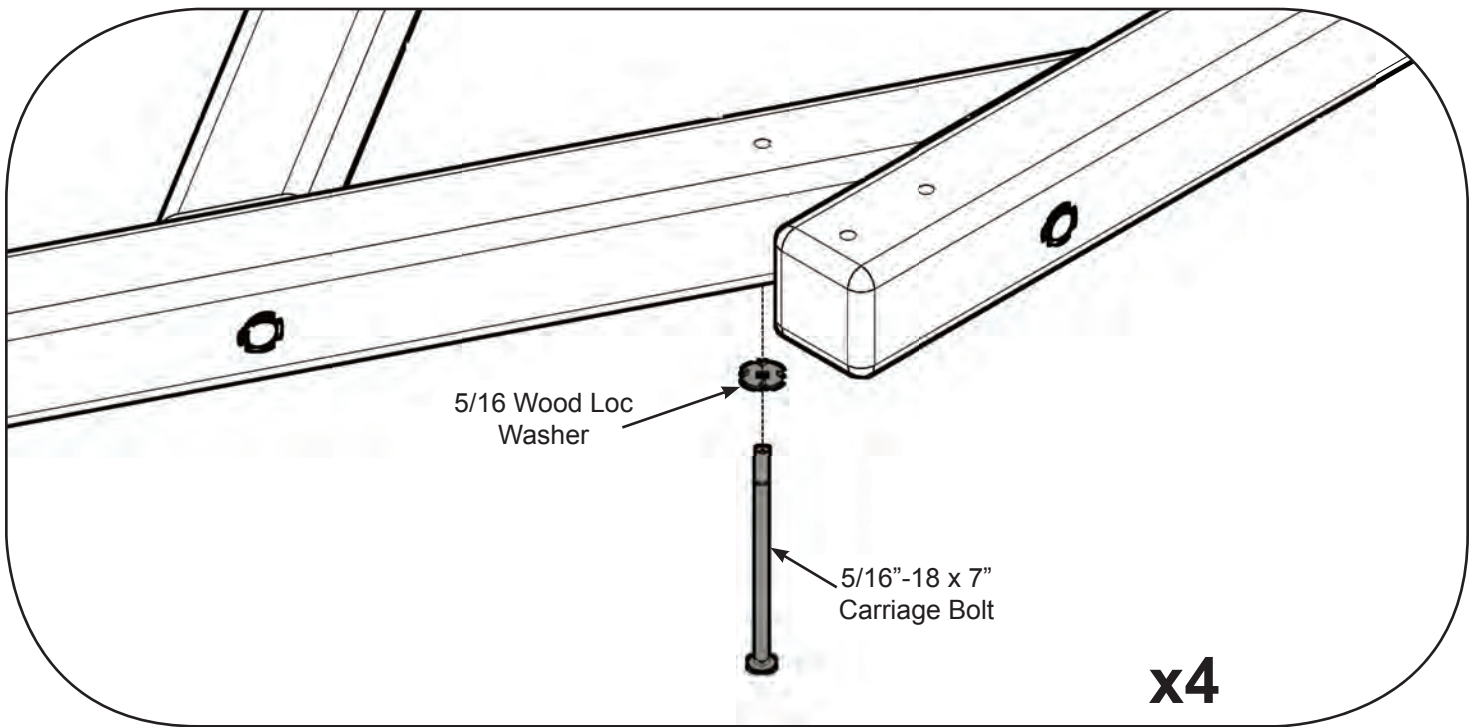
STEP 3



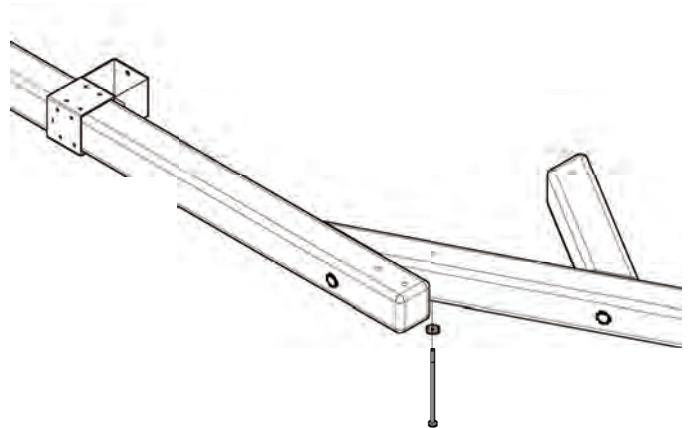
Support A



Support B



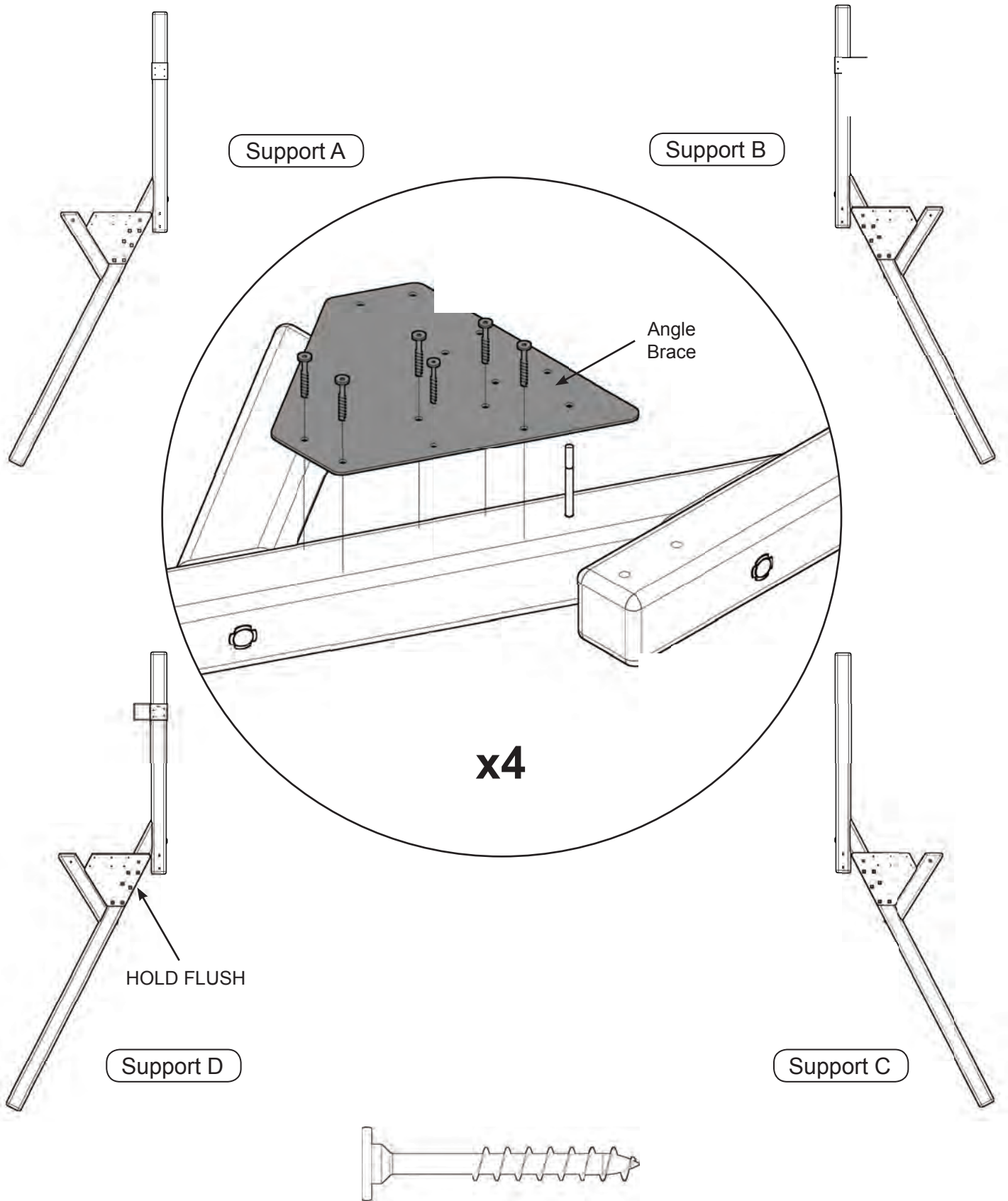
Support C



Support D

1. Insert hardware into Upright(s) as shown. **Note** the post & bracket orientation.

STEP 4



Support A

Support B

Angle
Brace

x4

HOLD FLUSH

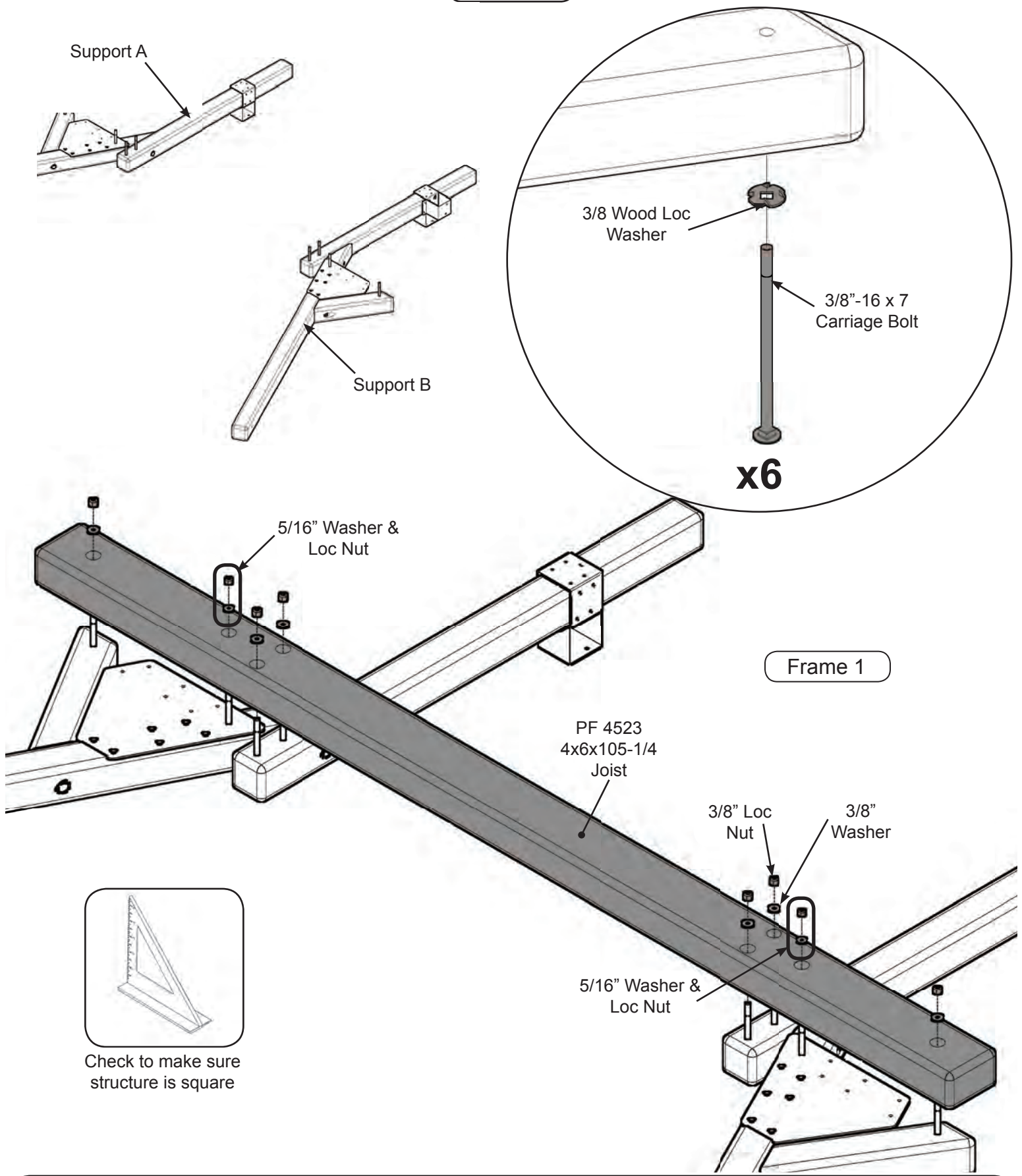
Support D

Support C

2" Lag Screw (x24)

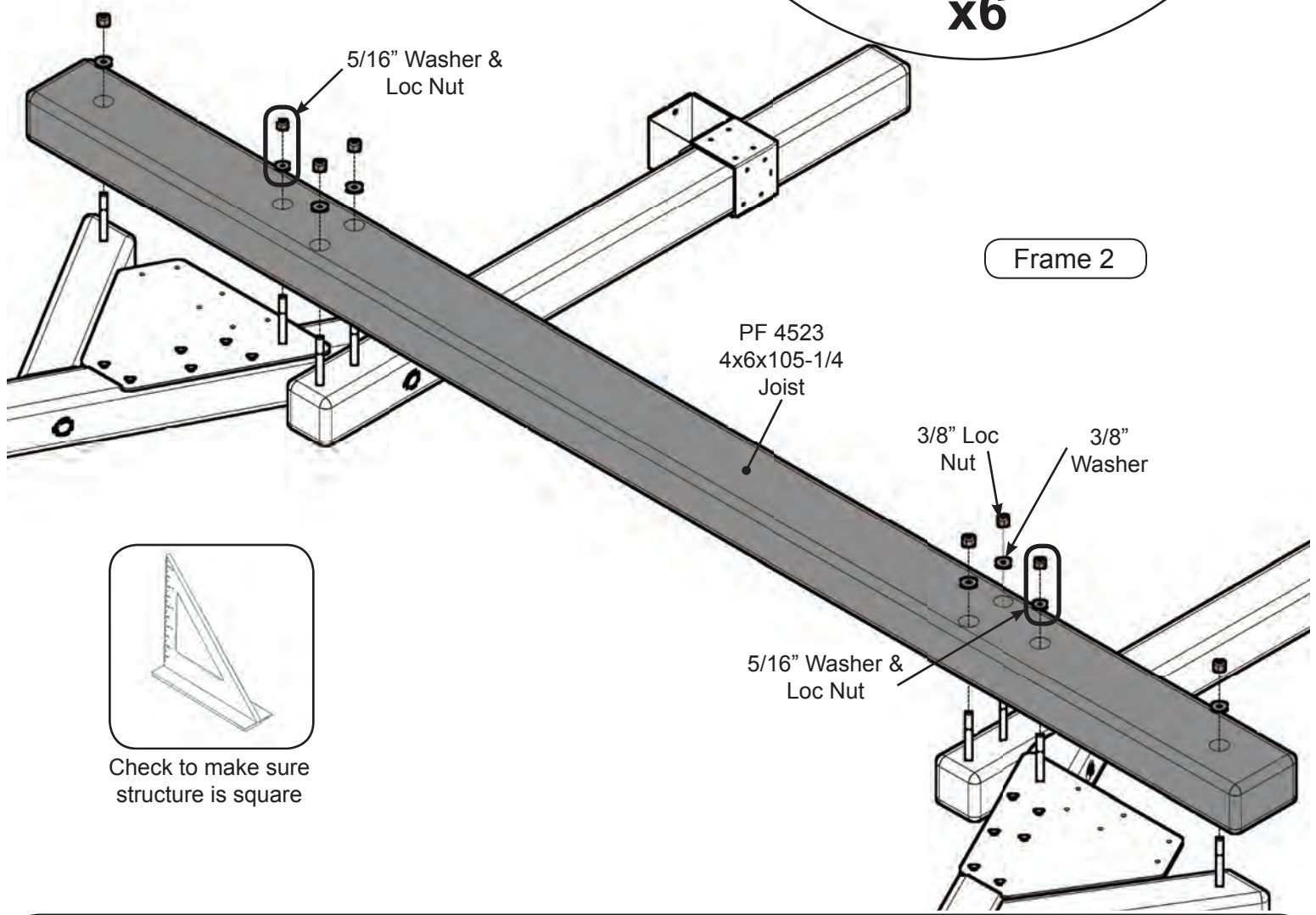
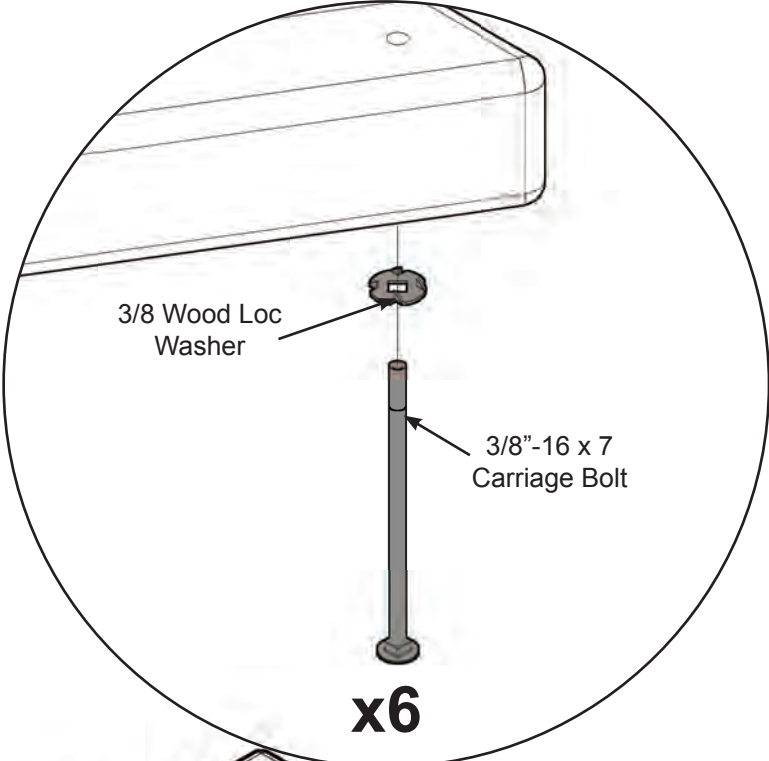
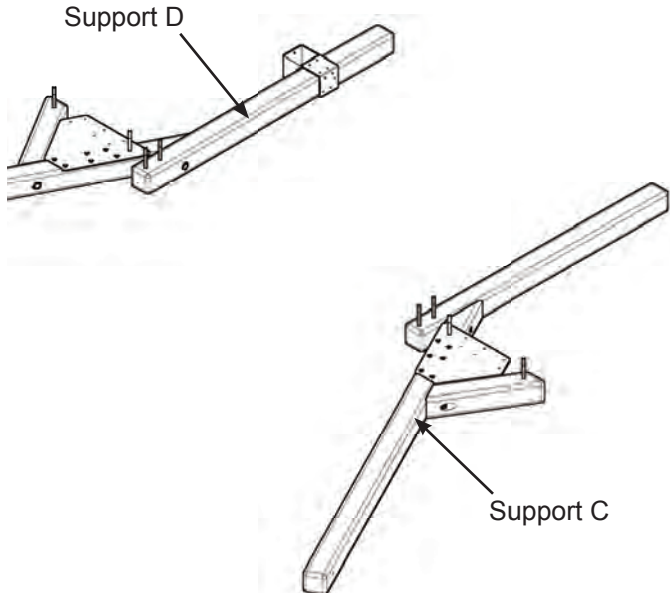
1. Slide Angle Brace over bolt and attach as shown. **Note** the post & bracket orientation.

STEP 5



1. Insert hardware into Upright(s) as shown. **Note** the post & bracket orientation.
2. Place deck joist over bolt(s) and attach as shown.

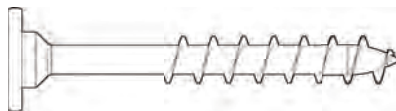
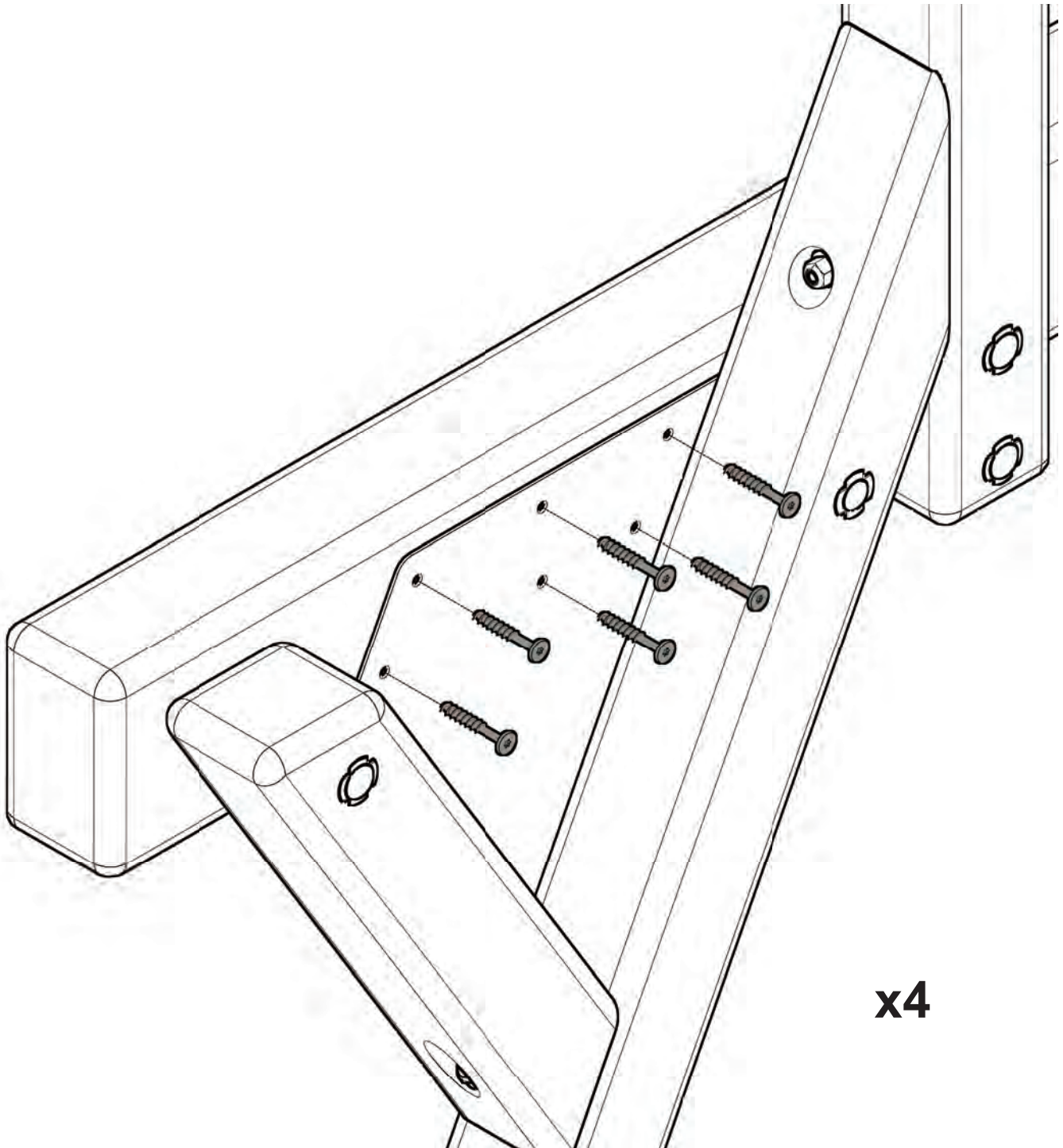
STEP 6



Frame 2

1. Insert hardware into Upright(s) as shown. **Note** the post & bracket orientation.
2. Place deck joist over bolt(s) and attach as shown.

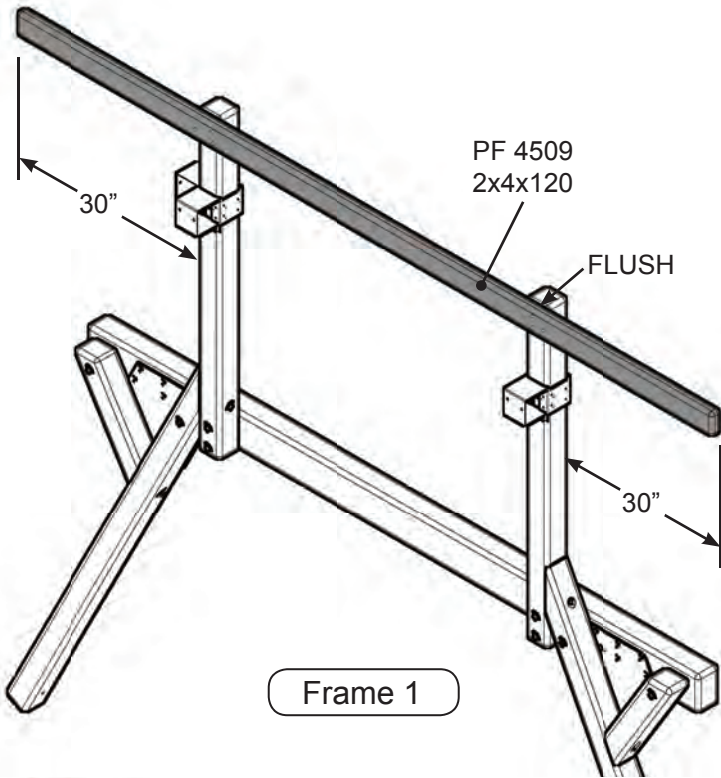
STEP 7



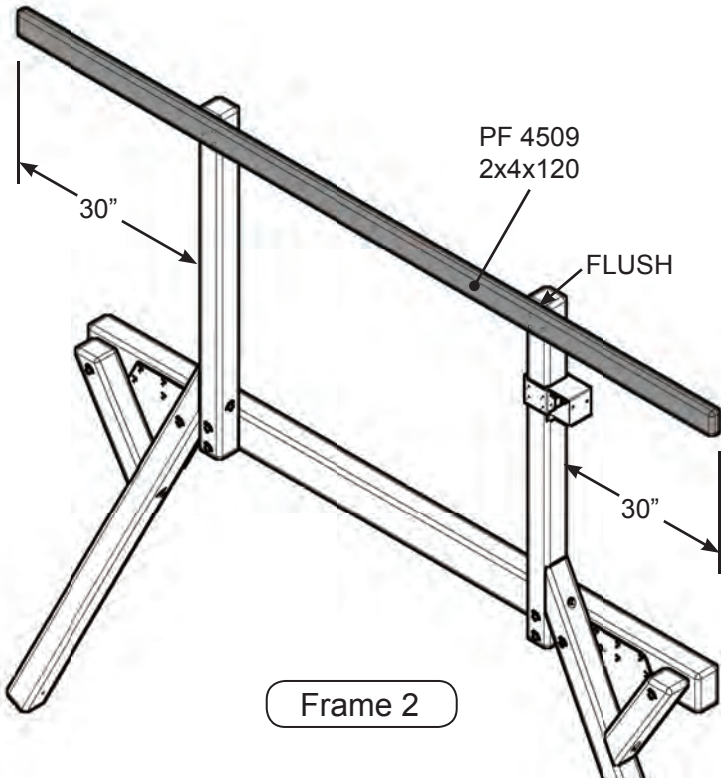
2" Lag Screw (x24)

1. Attach Angle Brace to deck joist(s) as shown.

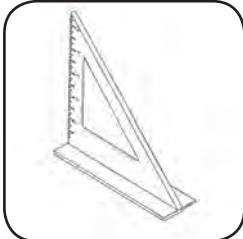
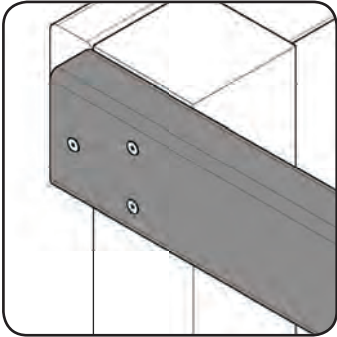
STEP 8



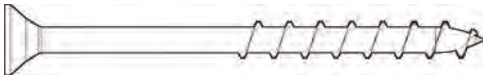
Frame 1



Frame 2



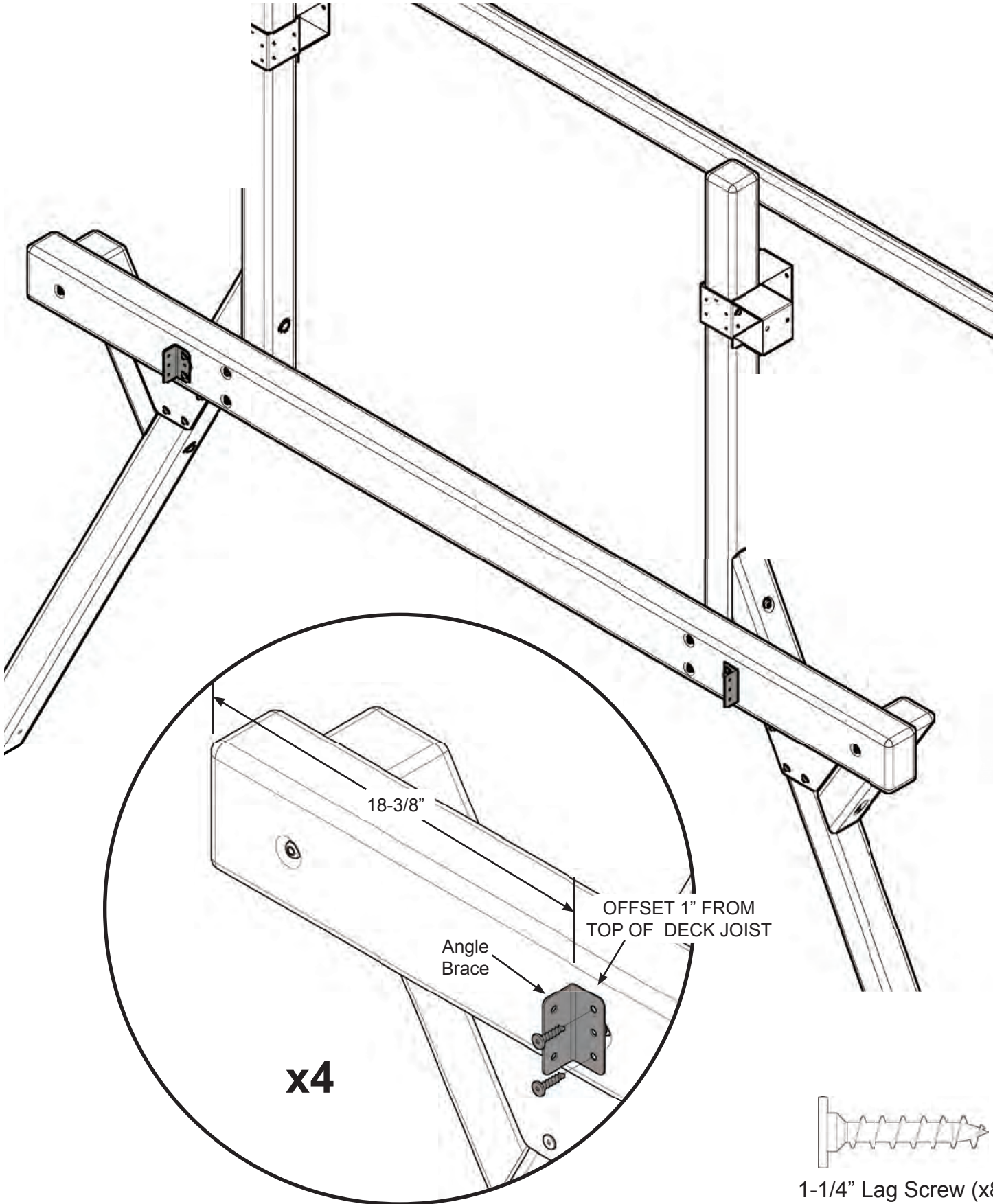
Check to make sure structure is square



2-1/2" Deck Screw (x12)

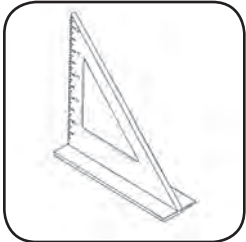
1. Attach top board as shown. **Note** the post & bracket orientation.

STEP 9



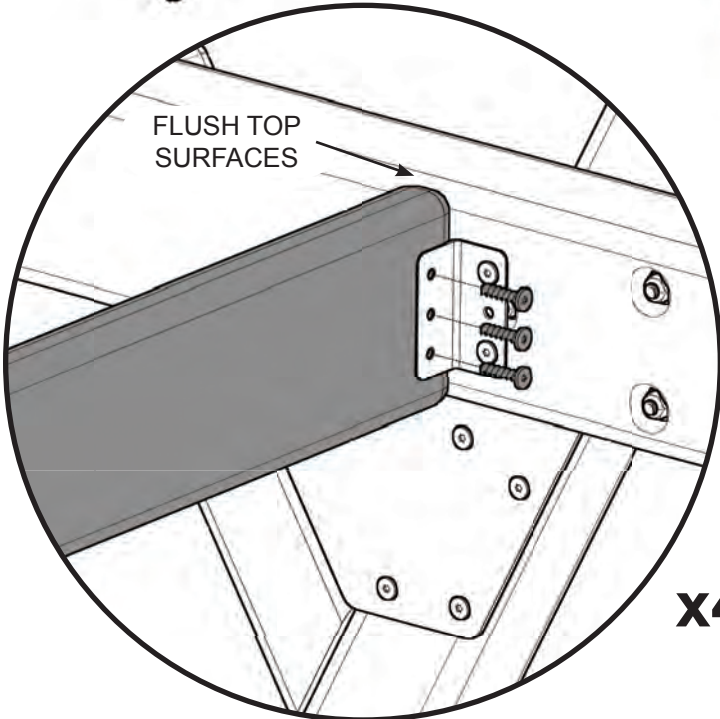
1. Attach L Bracket(s) to deck joist as shown on Frame 1 & Frame 2.

STEP 10



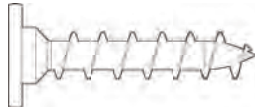
Check to make sure structure is square

(2) PF 4511
2x6x46



FLUSH TOP SURFACES

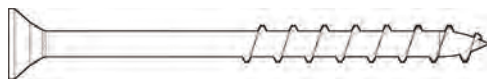
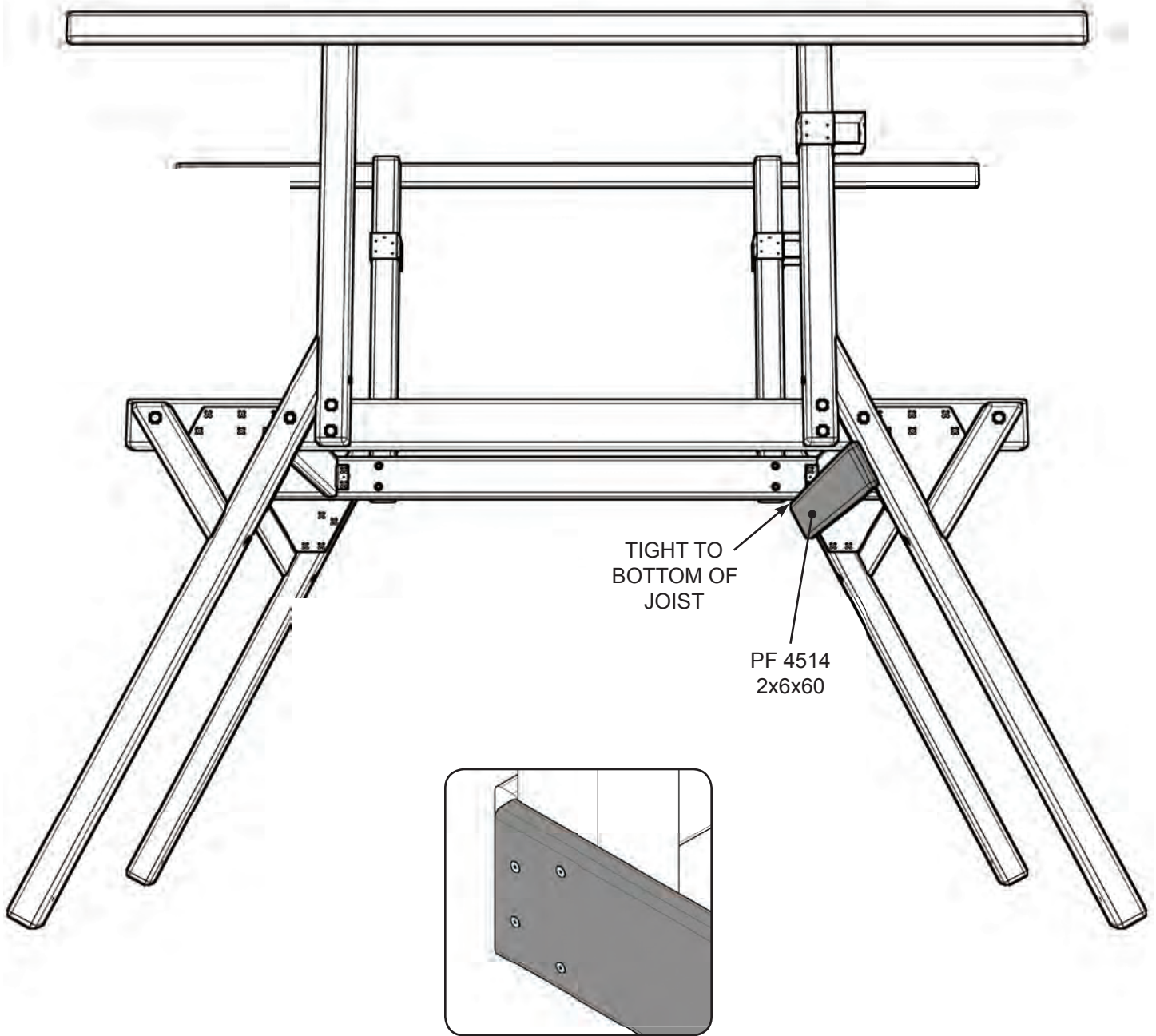
x4



1-1/4" Lag Screw (x12)

1. Attach boards as shown.

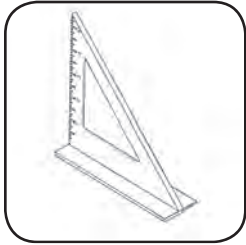
STEP 11



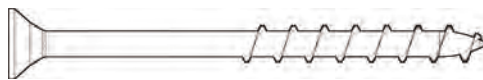
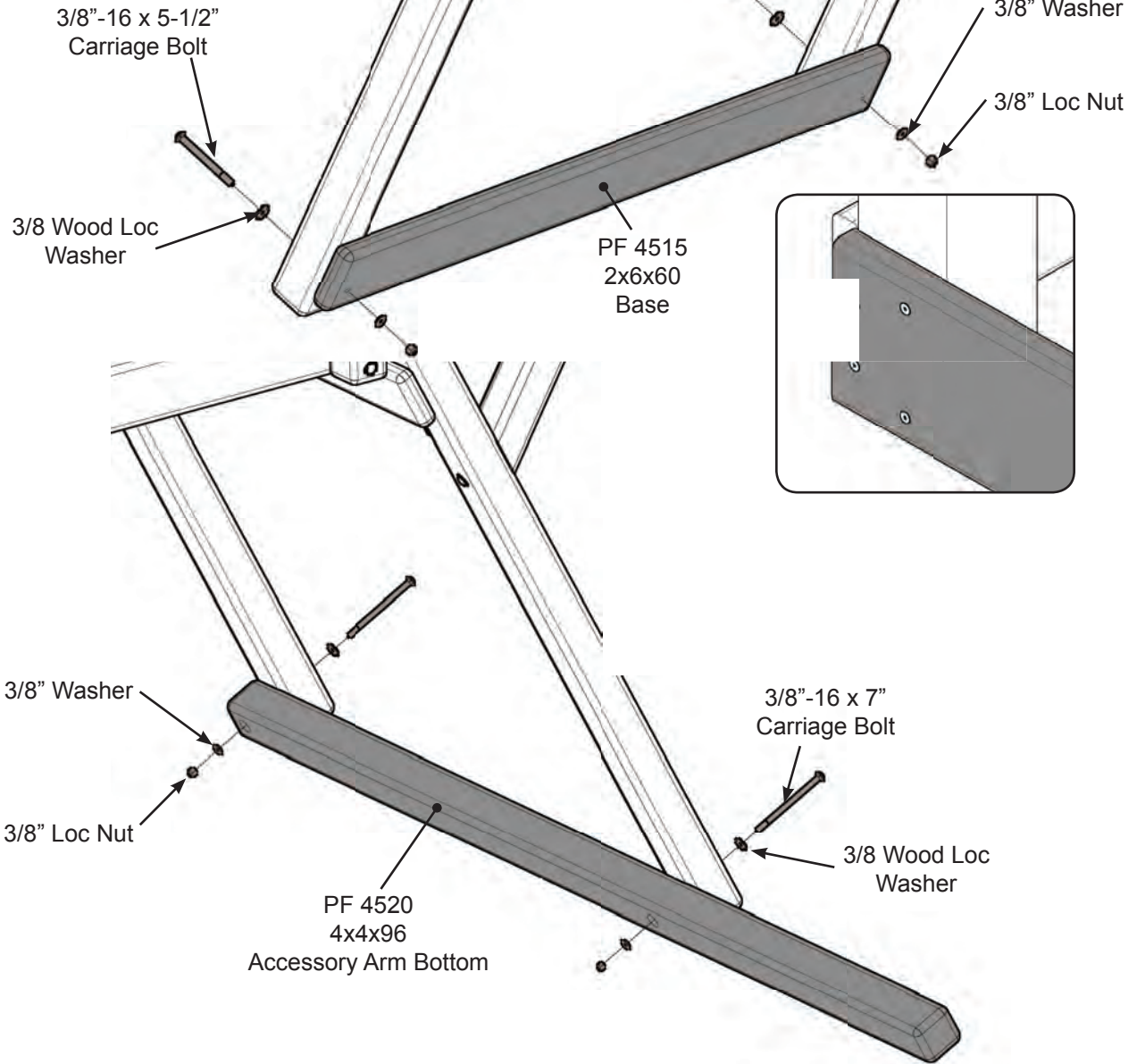
2-1/2" Deck Screw (x8)

1. Attach board as shown.

STEP 12



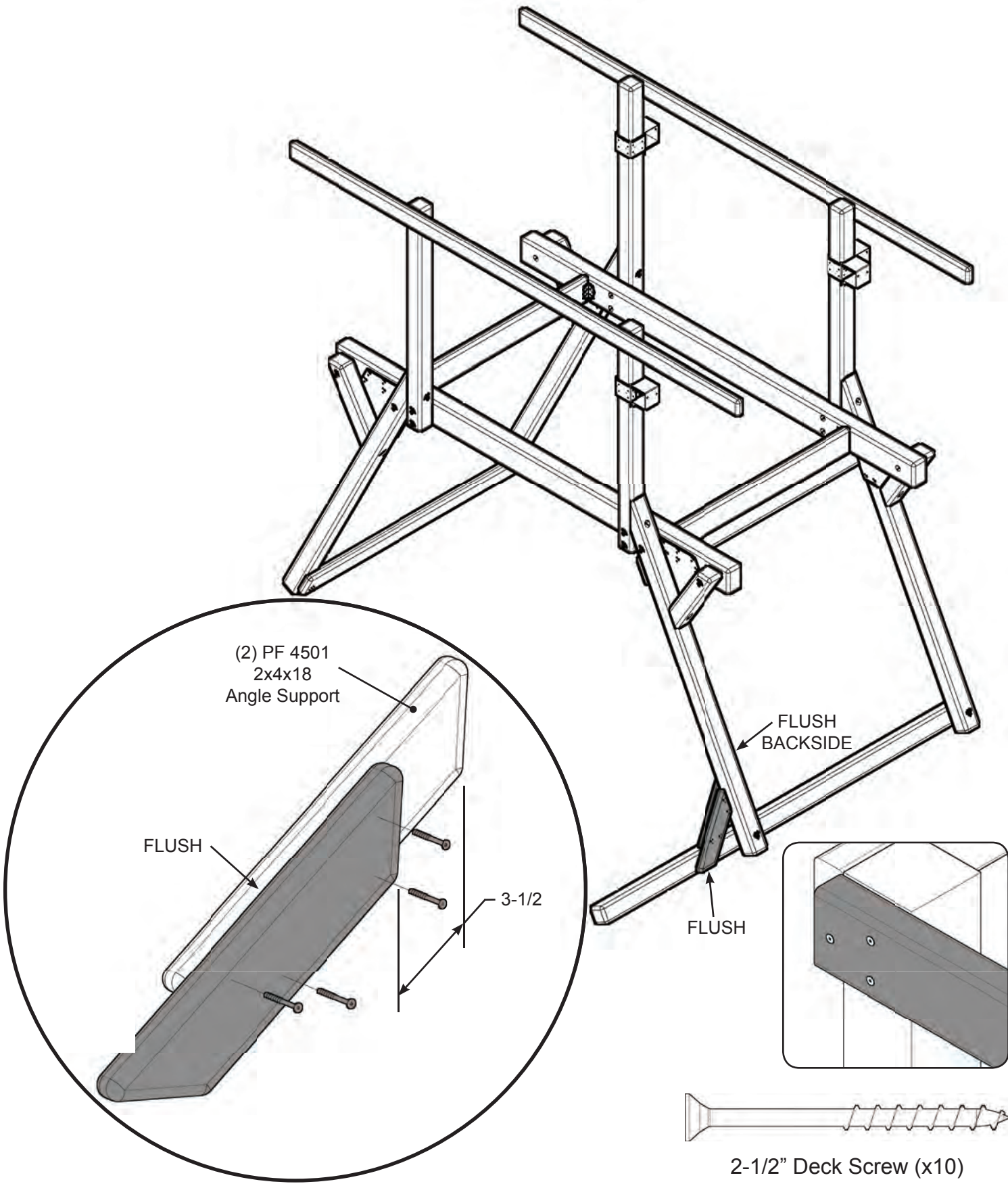
Check to make sure structure is square



2-1/2" Deck Screw (x8)

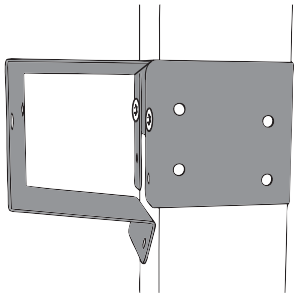
1. Attach boards as shown.

STEP 13

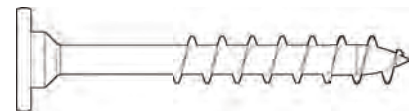
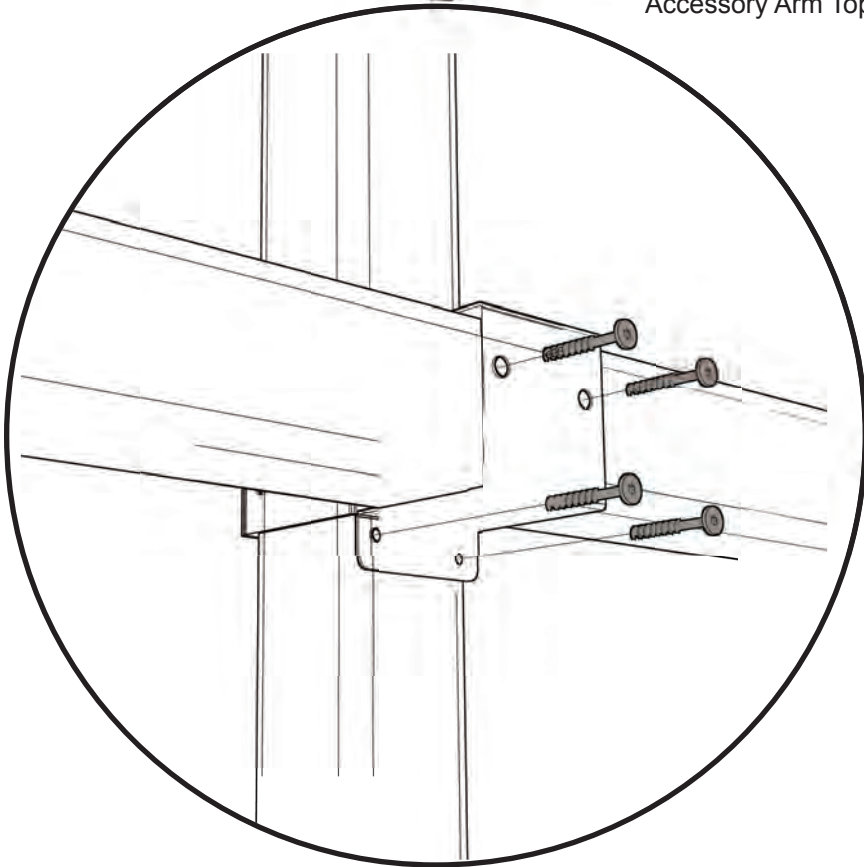
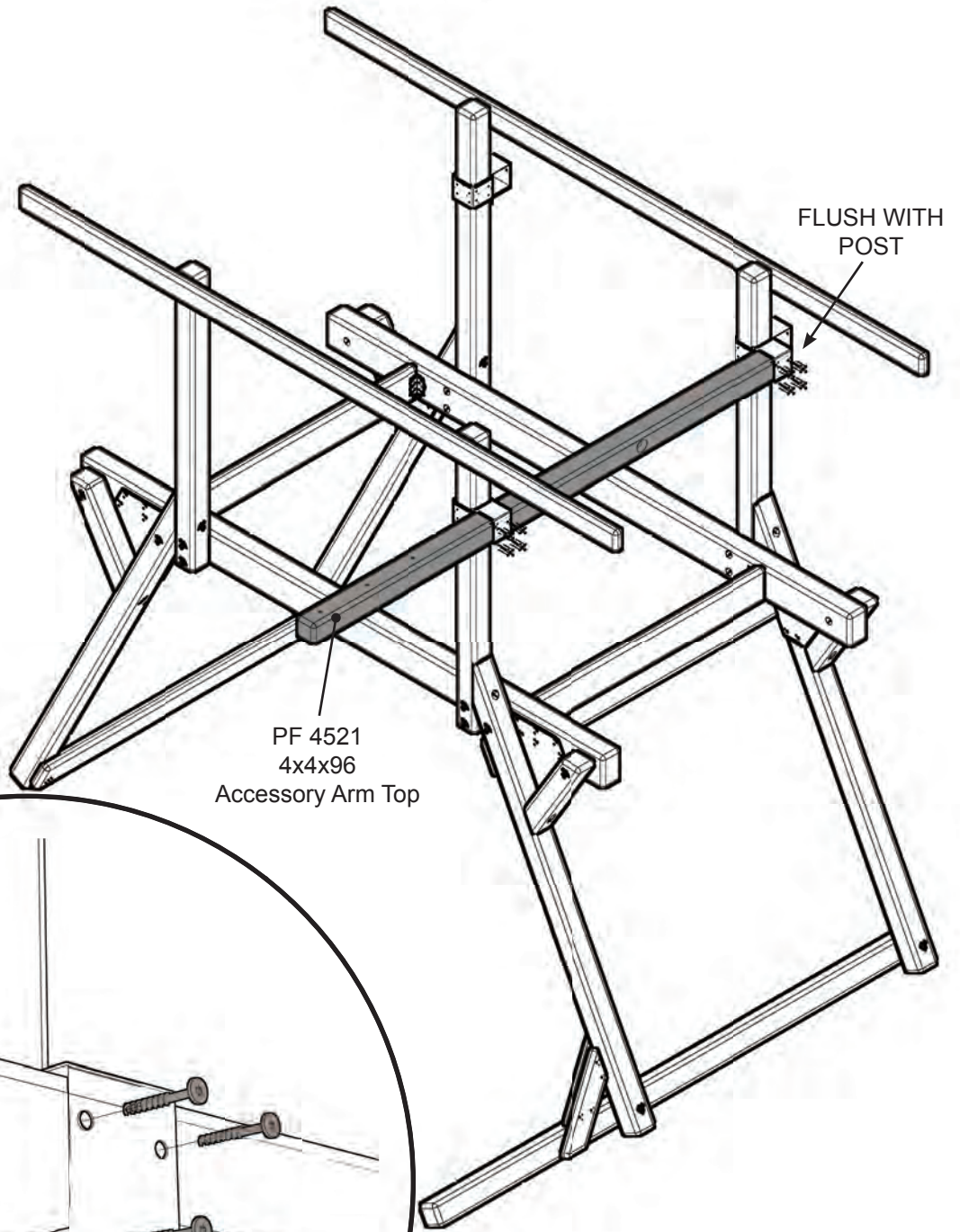


1. Laminate boards and attach as shown.

STEP 14



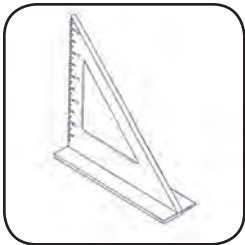
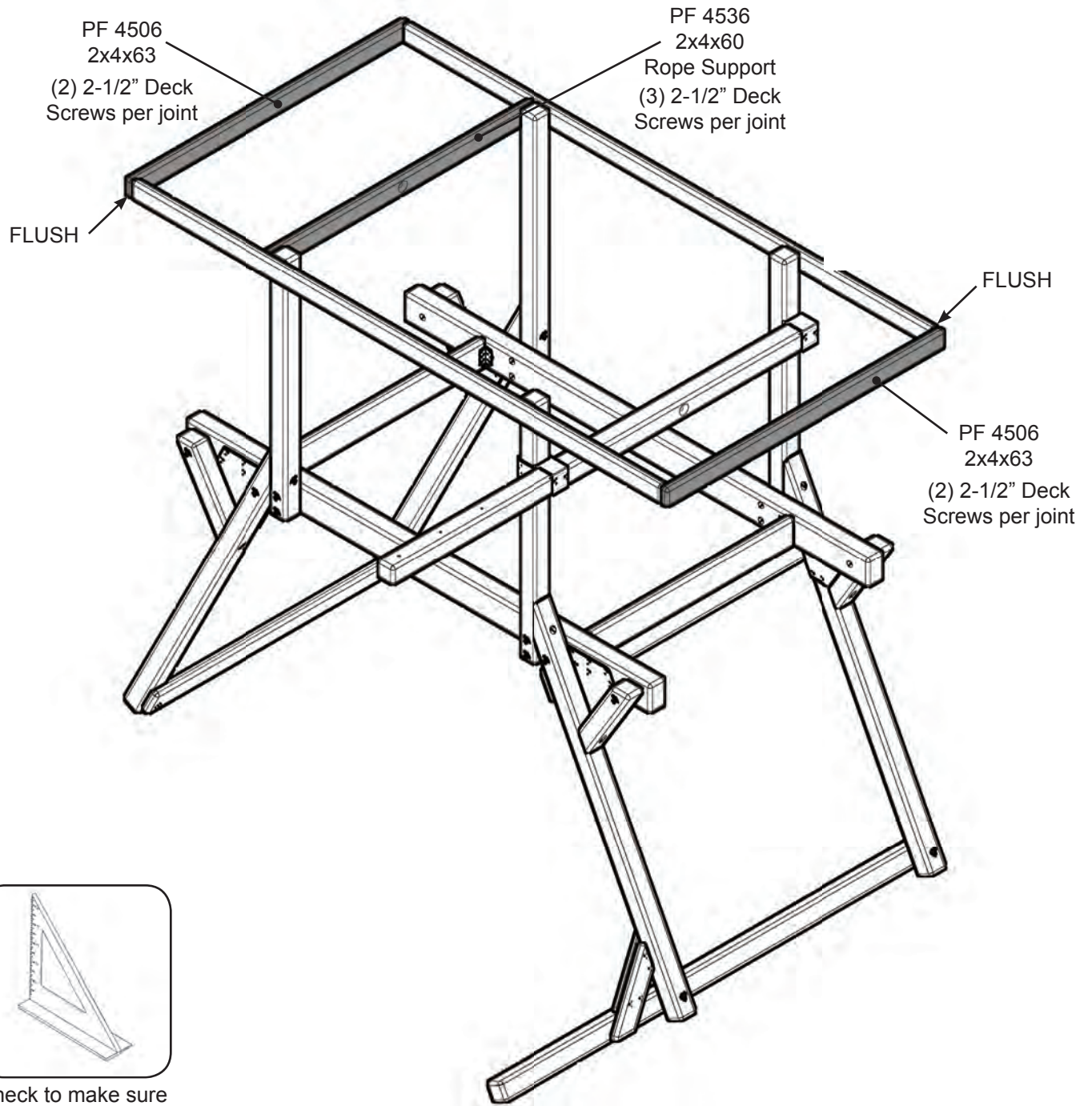
TIP: Flex bracket(s) to make installation of 4x4 easier



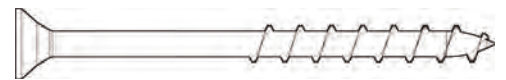
2" Lag Screw (x8)

1. Attach board as shown.

STEP 15



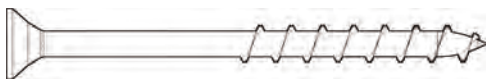
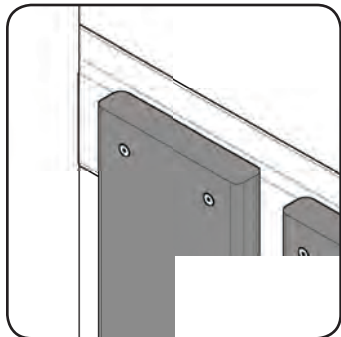
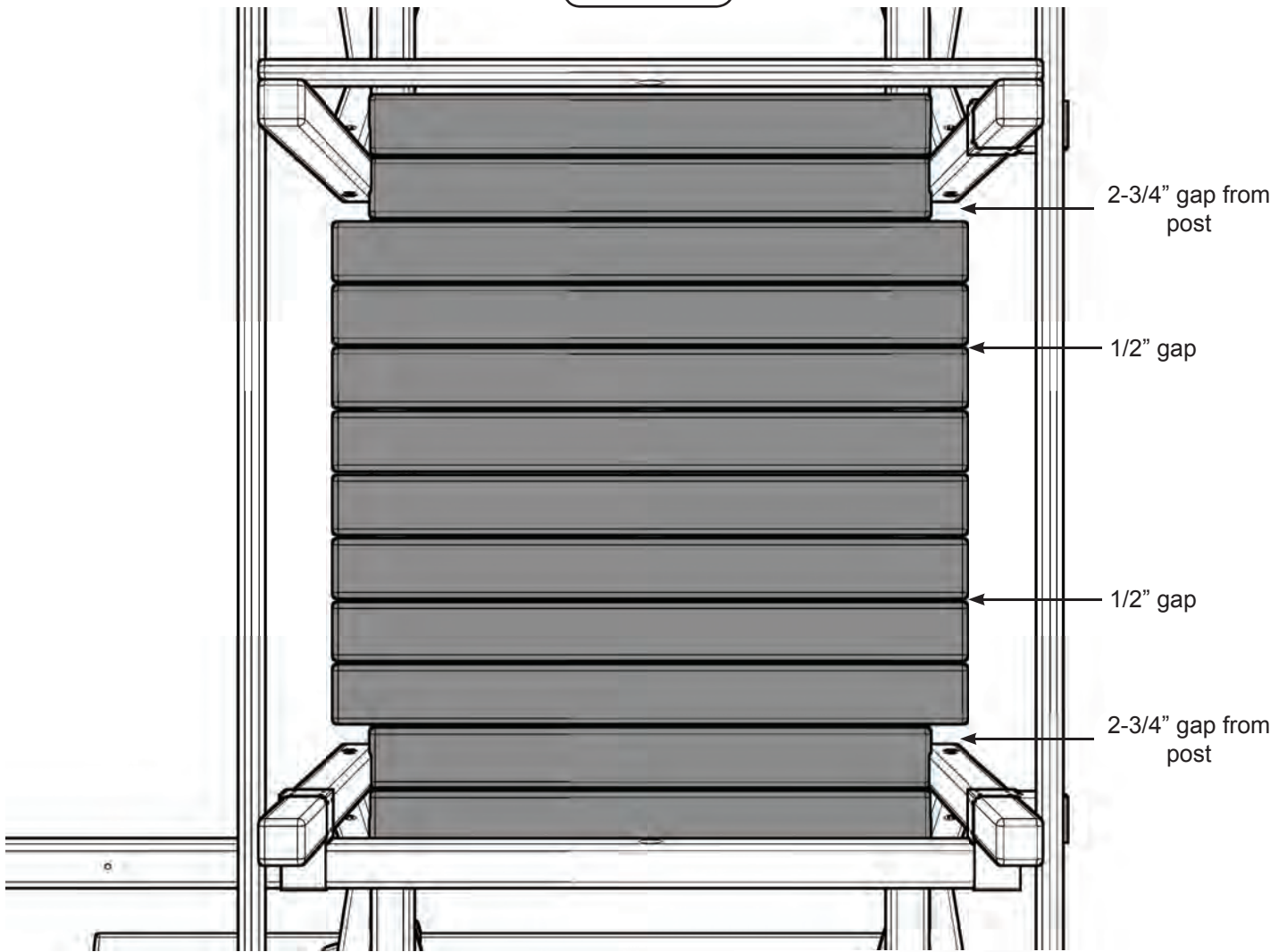
Check to make sure
structure is square



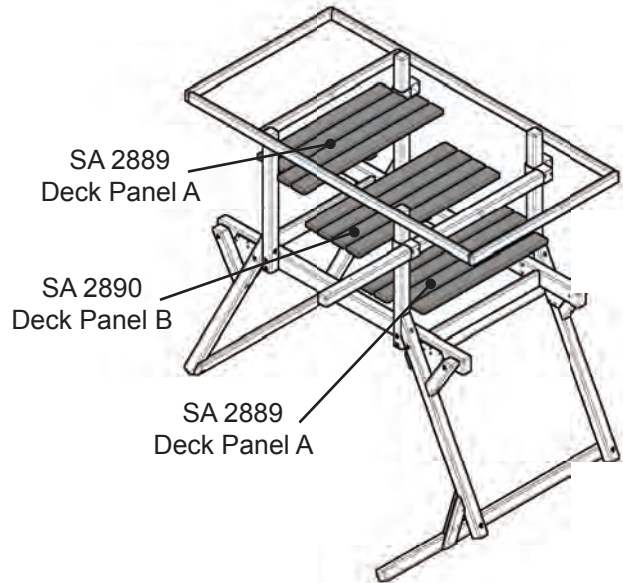
2-1/2" Deck Screw (x14)

1. Attach boards as shown.

STEP 16

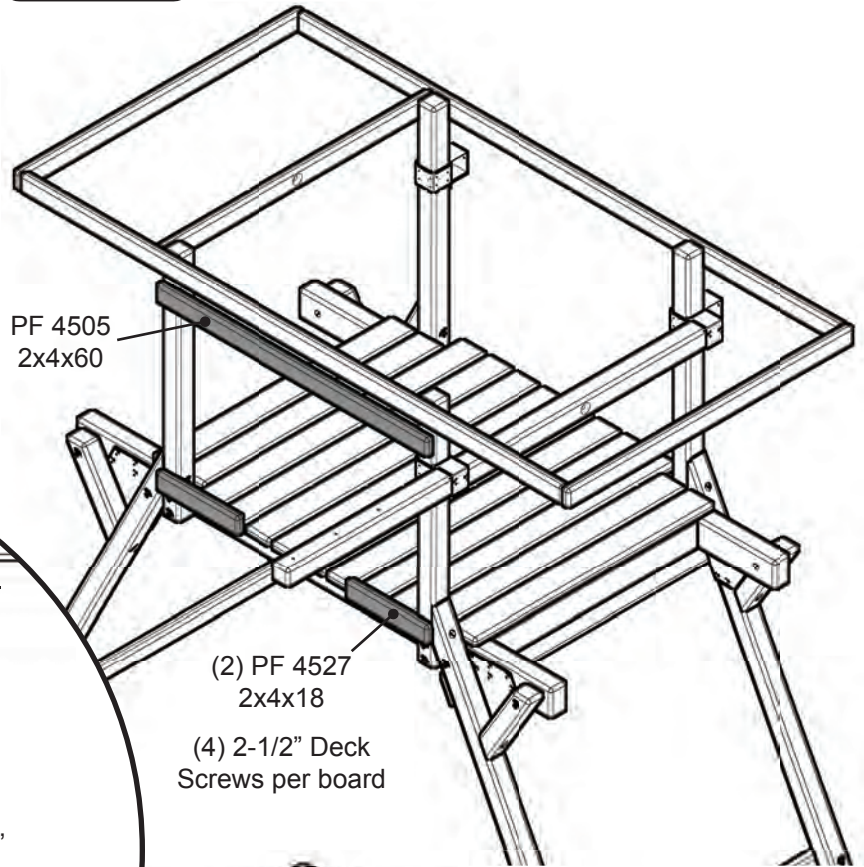
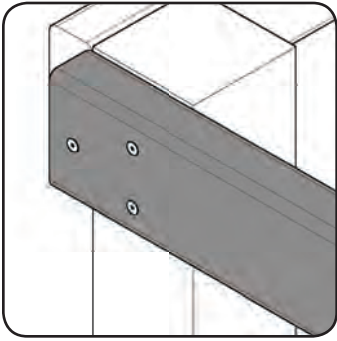


2-1/2" Deck Screw (x48)



1. Attach deck panel(s) as shown.

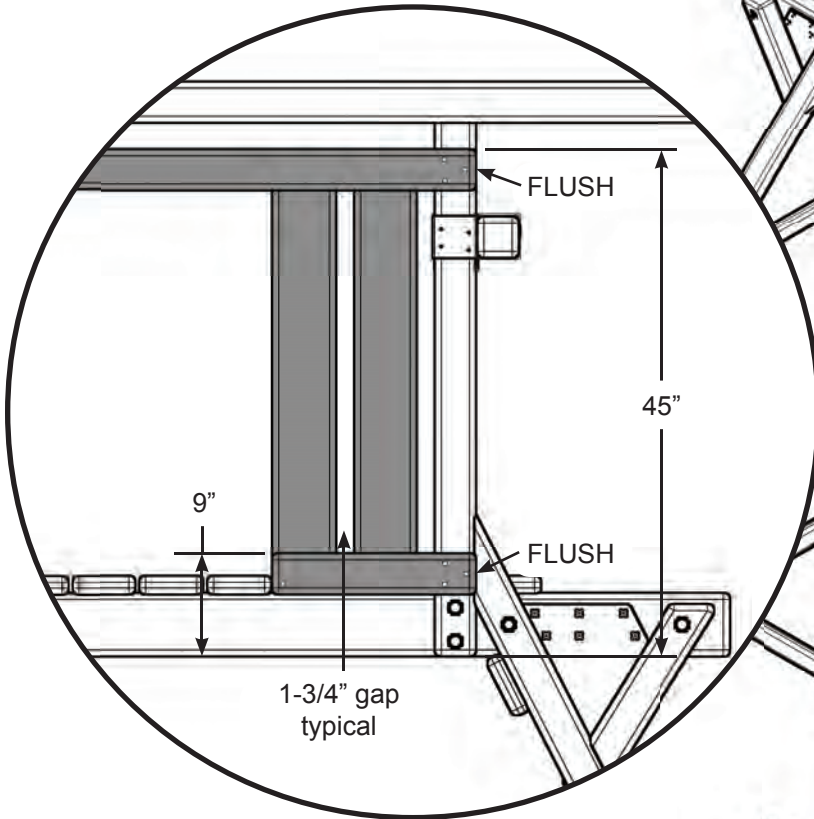
STEP 17



PF 4505
2x4x60

(2) PF 4527
2x4x18

(4) 2-1/2" Deck
Screws per board



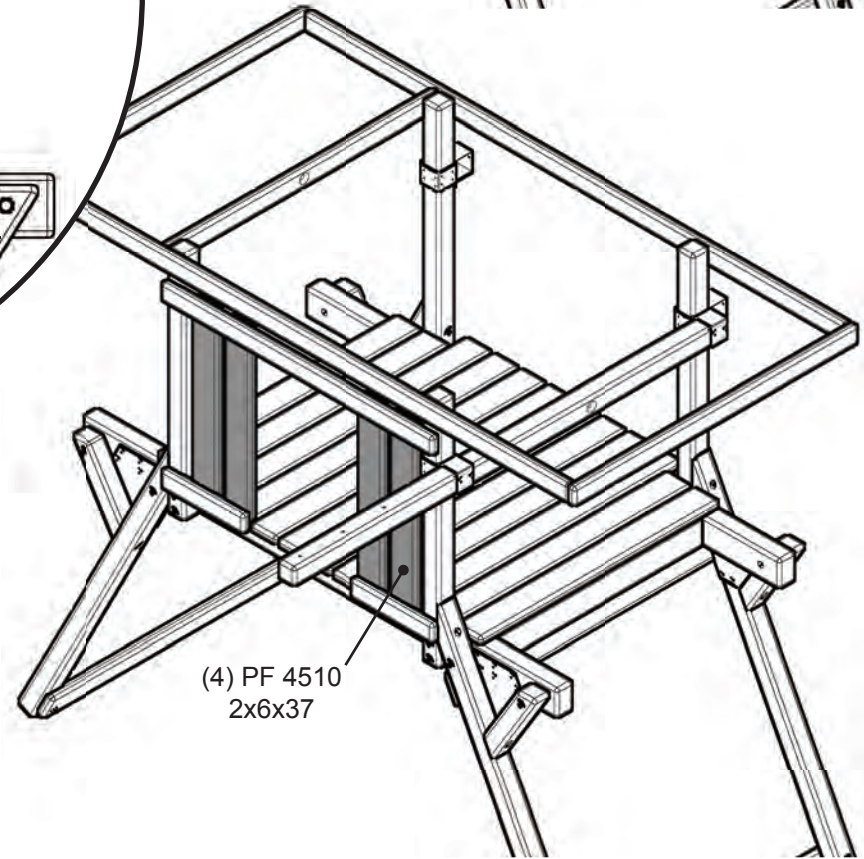
FLUSH

45"

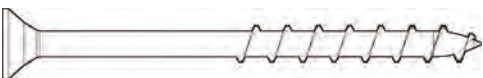
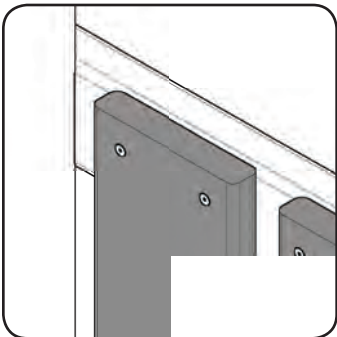
9"

FLUSH

1-3/4" gap
typical

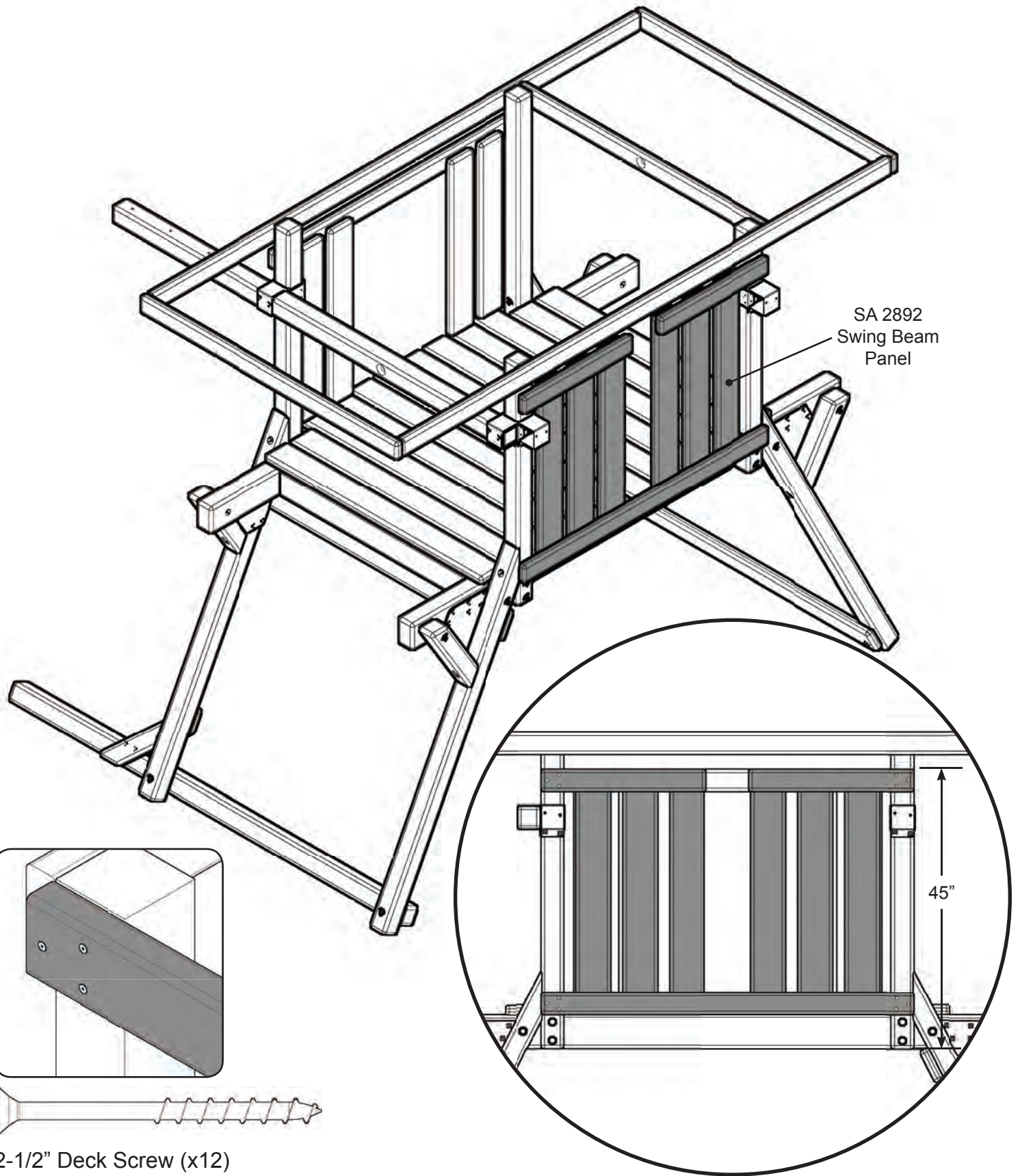


(4) PF 4510
2x6x37



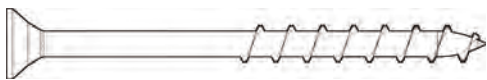
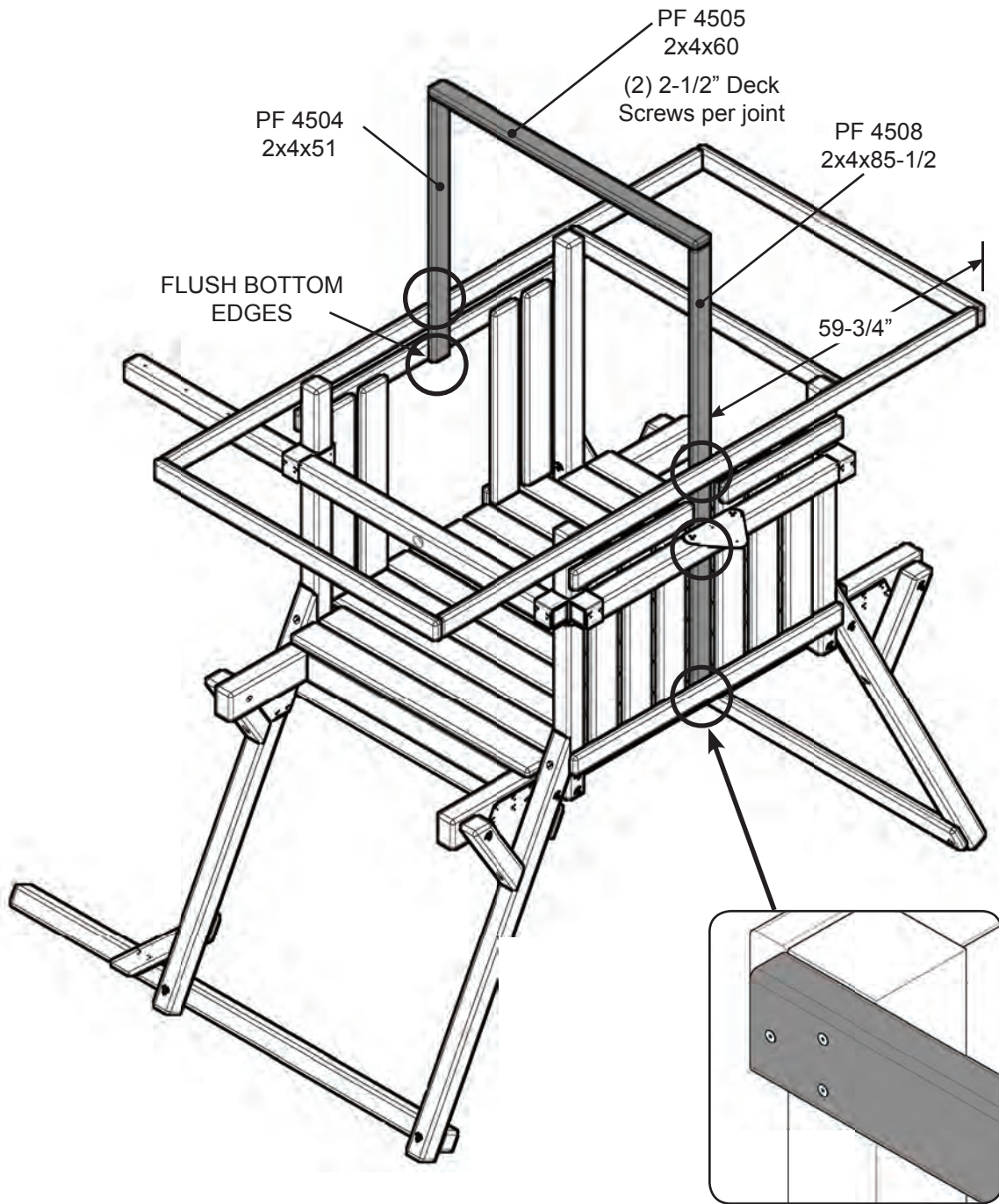
2-1/2" Deck Screw (x30)

1. Attach boards as shown.



1. Attach Swing Beam Panel as shown.

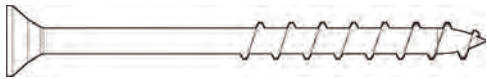
STEP 20



2-1/2" Deck Screw (x19)

1. Attach boards as shown.

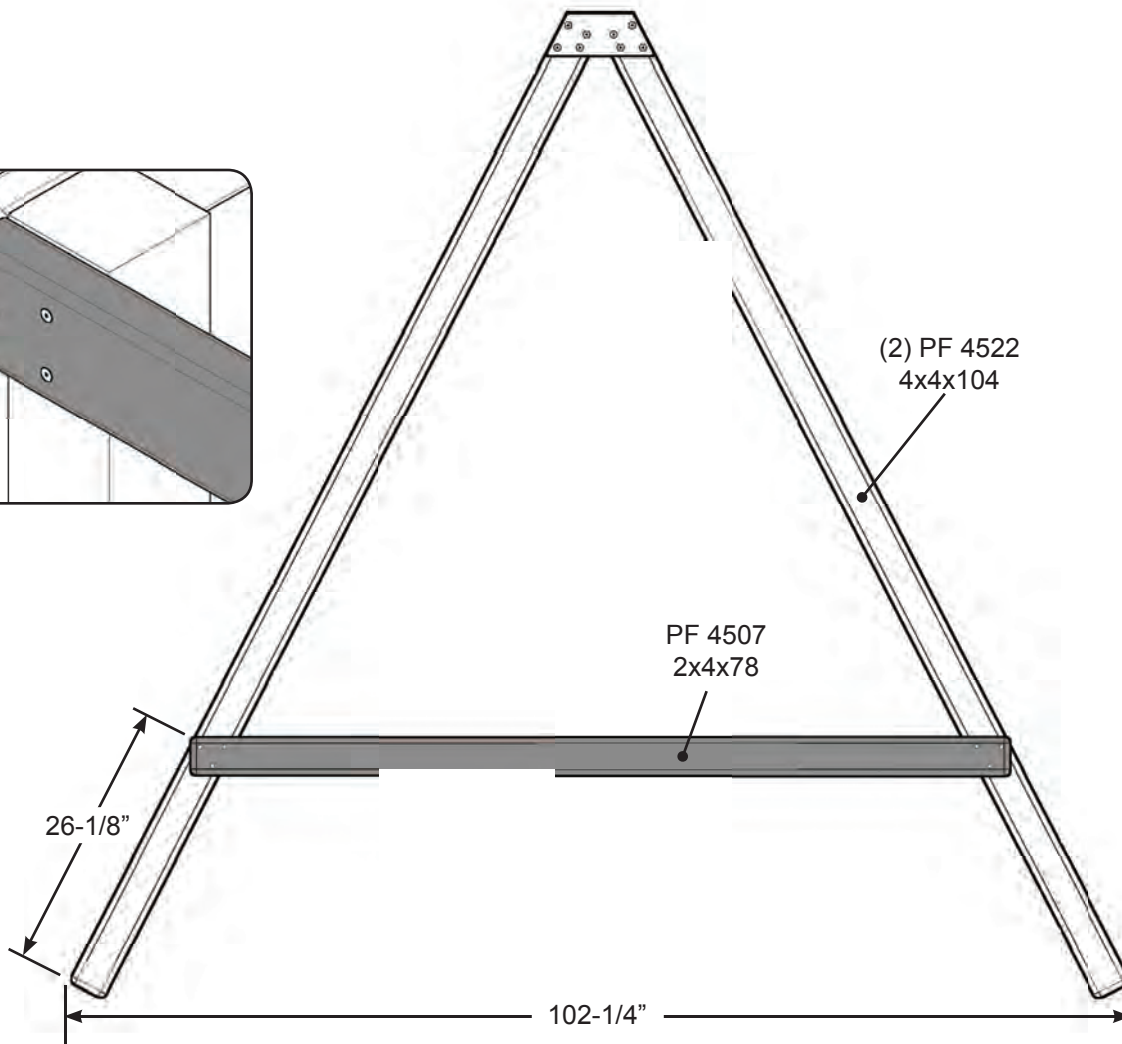
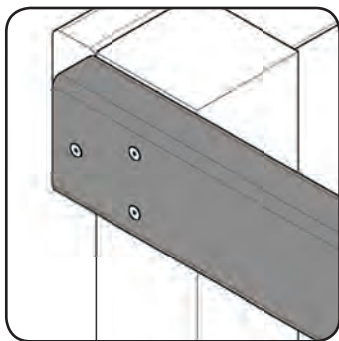
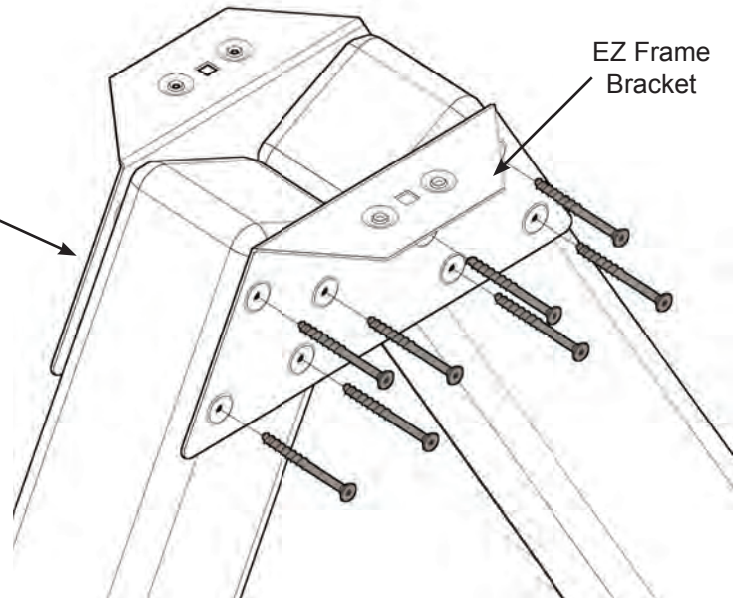
STEP 21



2-1/2" Deck Screw (x22)

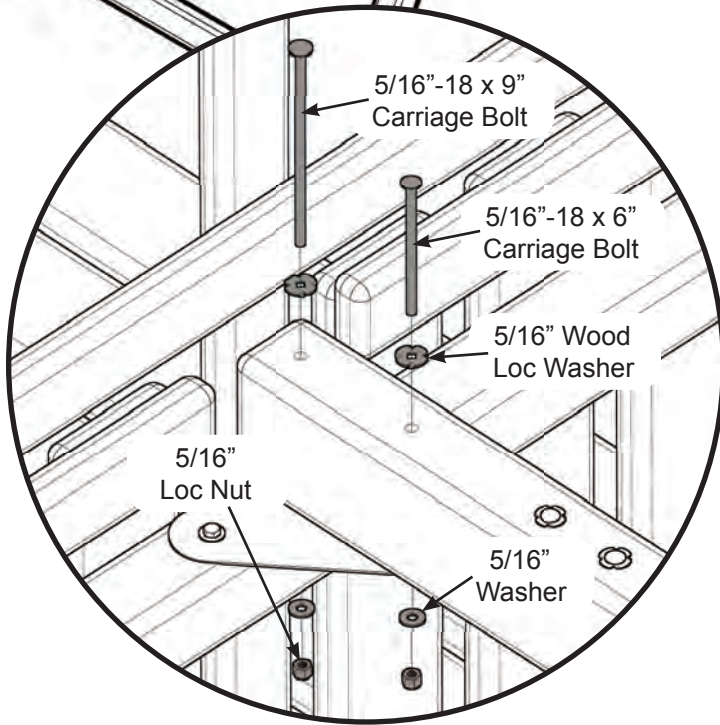
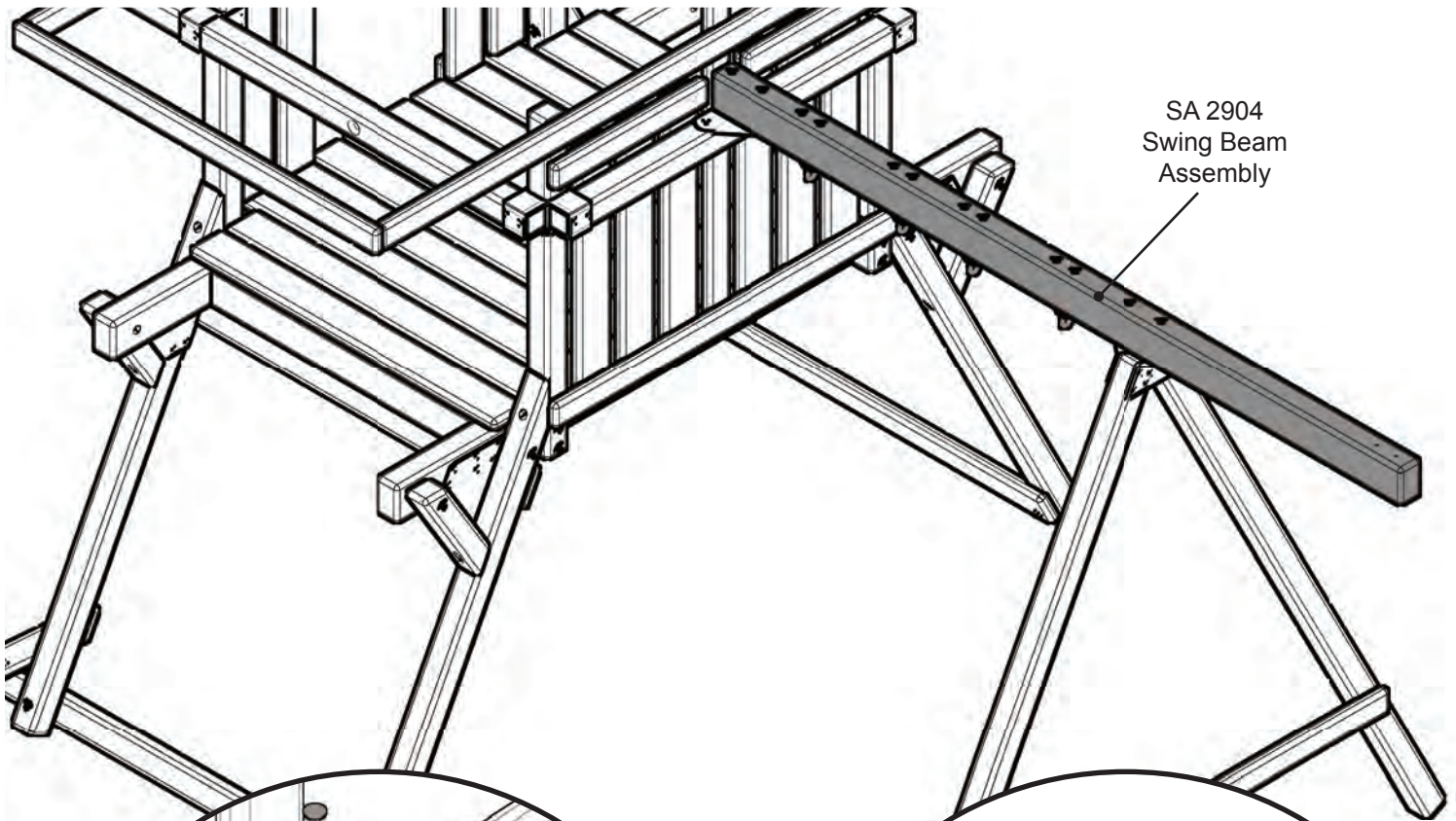
FLUSH EDGES

EZ Frame Bracket

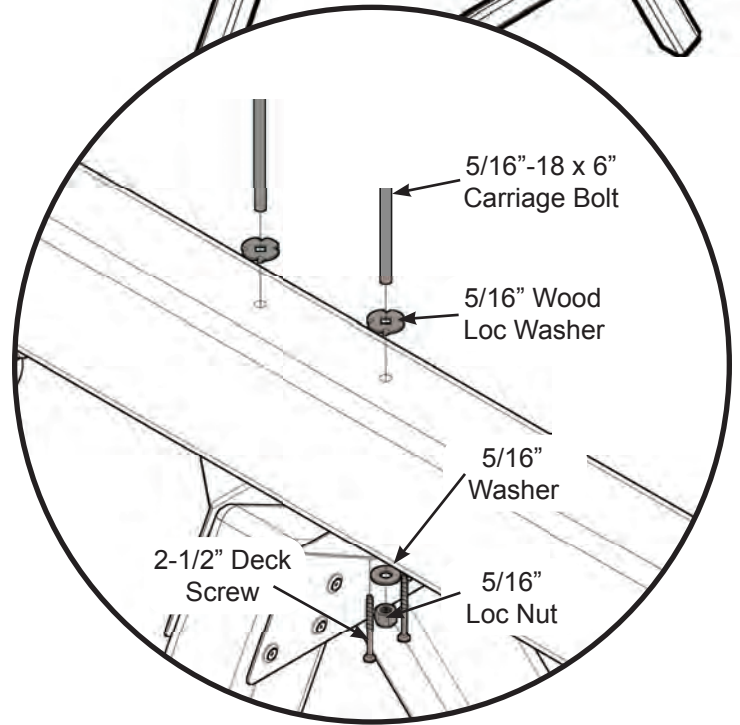


1. Attach EZ frame bracket(s) to boards as shown.
2. Attach board as shown.

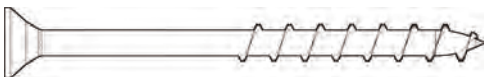
STEP 22



Tower connection



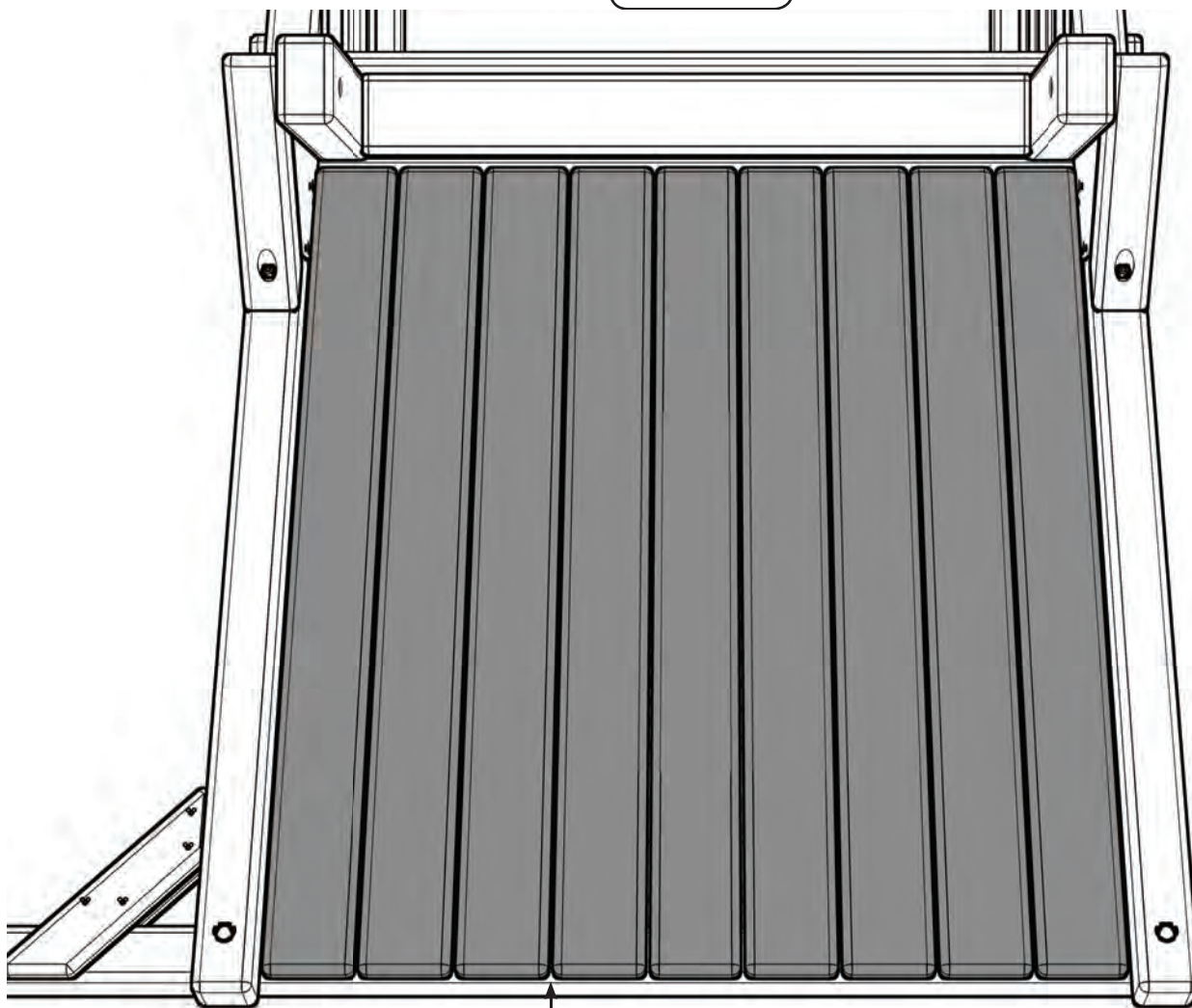
A-Frame connection



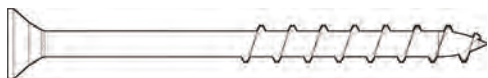
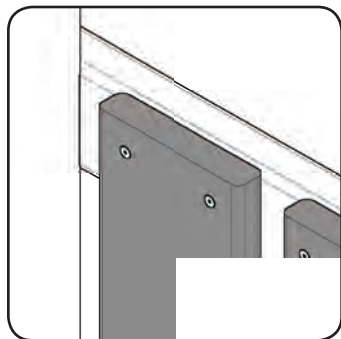
2-1/2" Deck Screw (x4)

1. Attach Swing Beam Assembly to A-Frame as shown.
2. Attach Swing Beam Assembly to tower as shown.

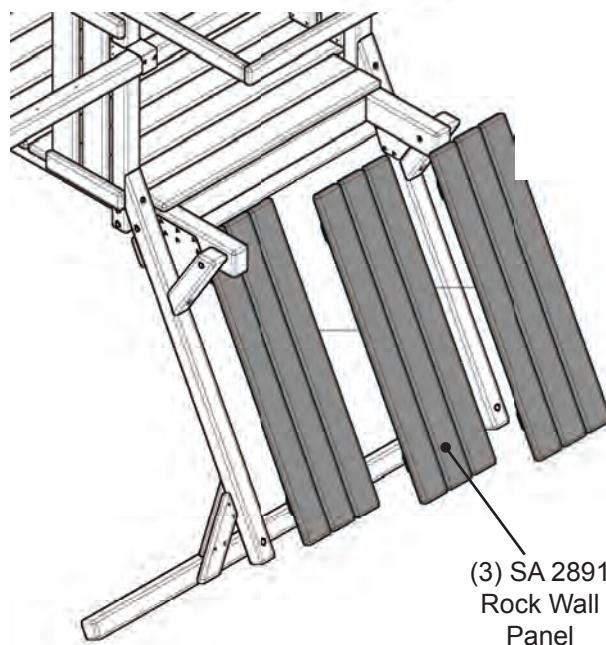
STEP 23



3/8" gap
typical



2-1/2" Deck Screw (x36)

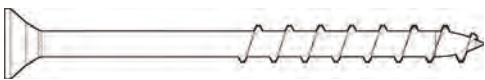
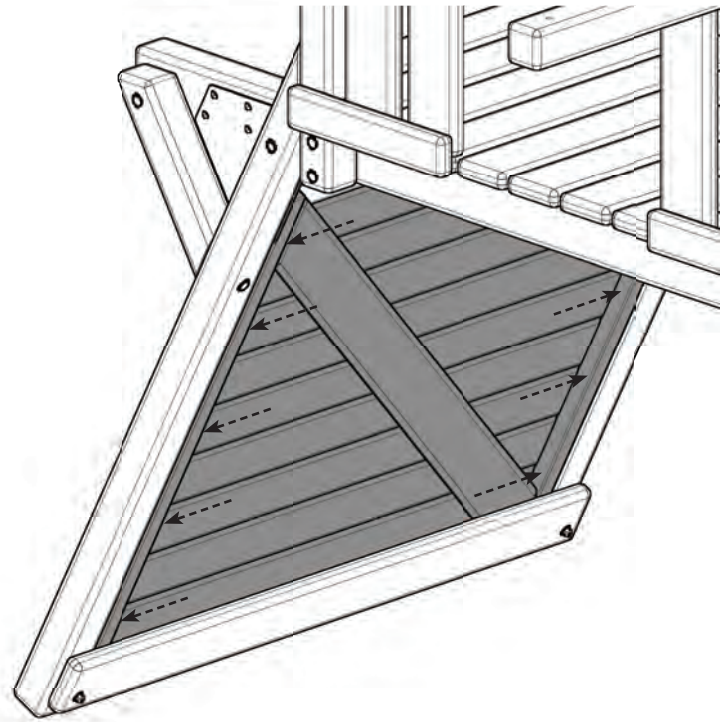
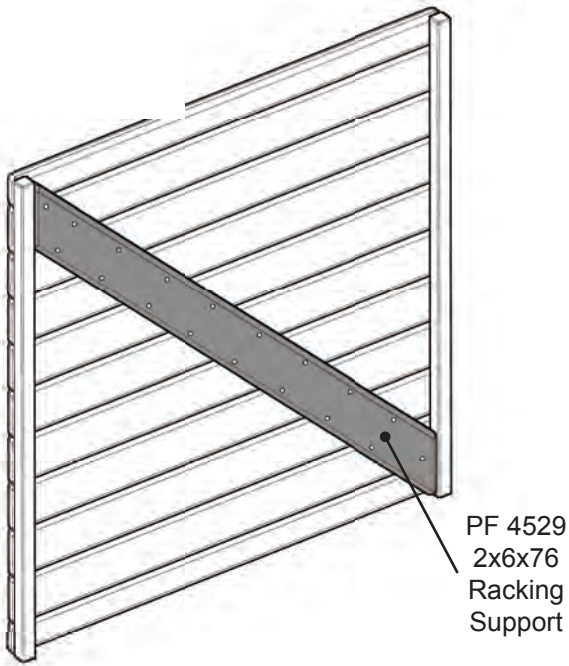
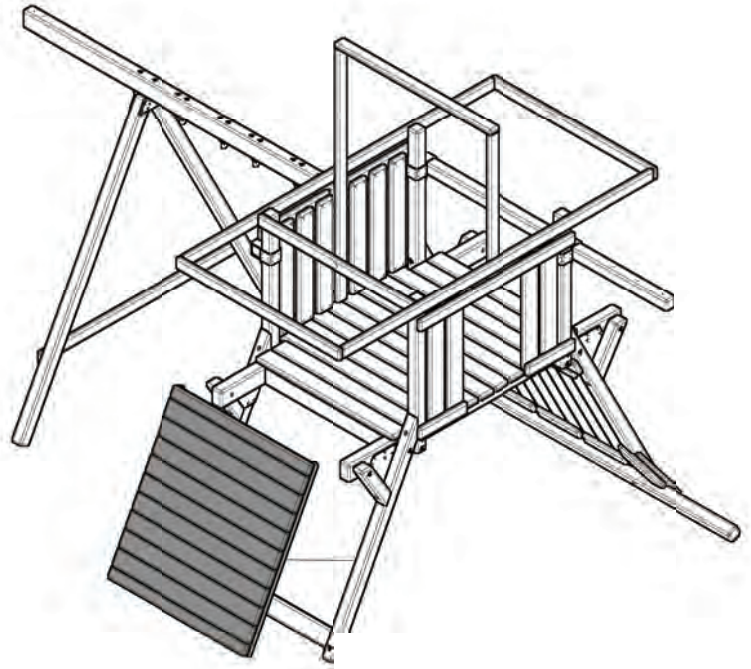
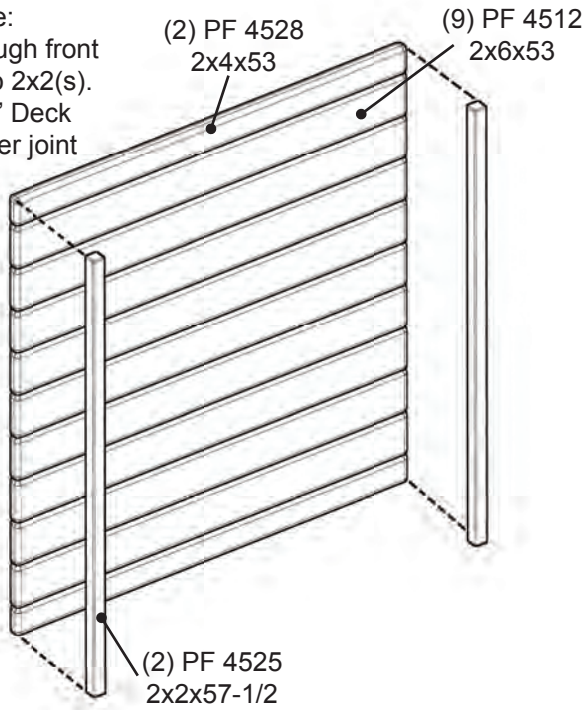


(3) SA 2891
Rock Wall
Panel

1. Attach rock wall panels as shown.

STEP 24

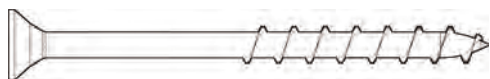
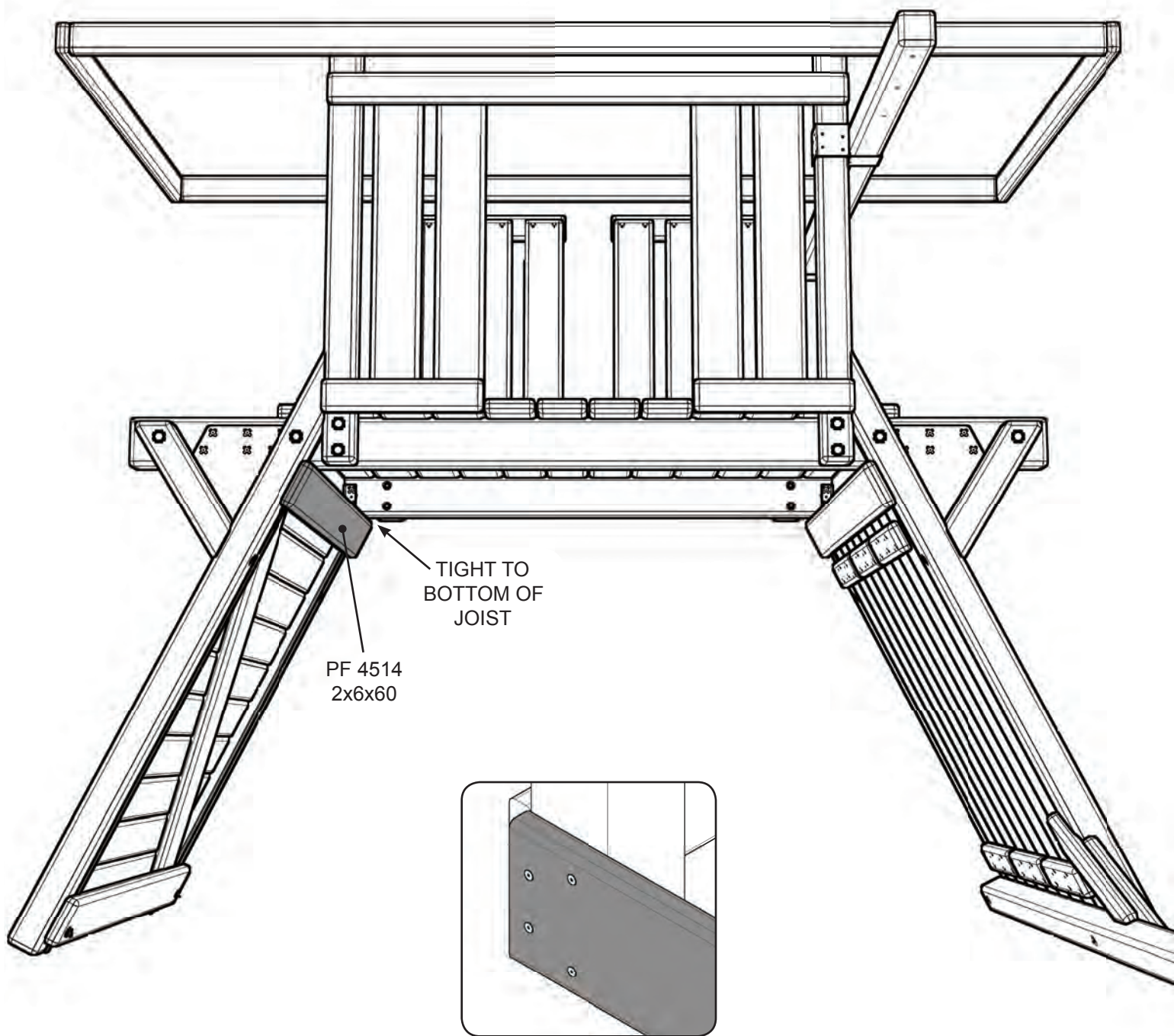
Note:
Screw through front
boards into 2x2(s).
(2) 2-1/2" Deck
Screws per joint



2-1/2" Deck Screw (x72)

1. Assemble rock wall and attach to unit as shown.

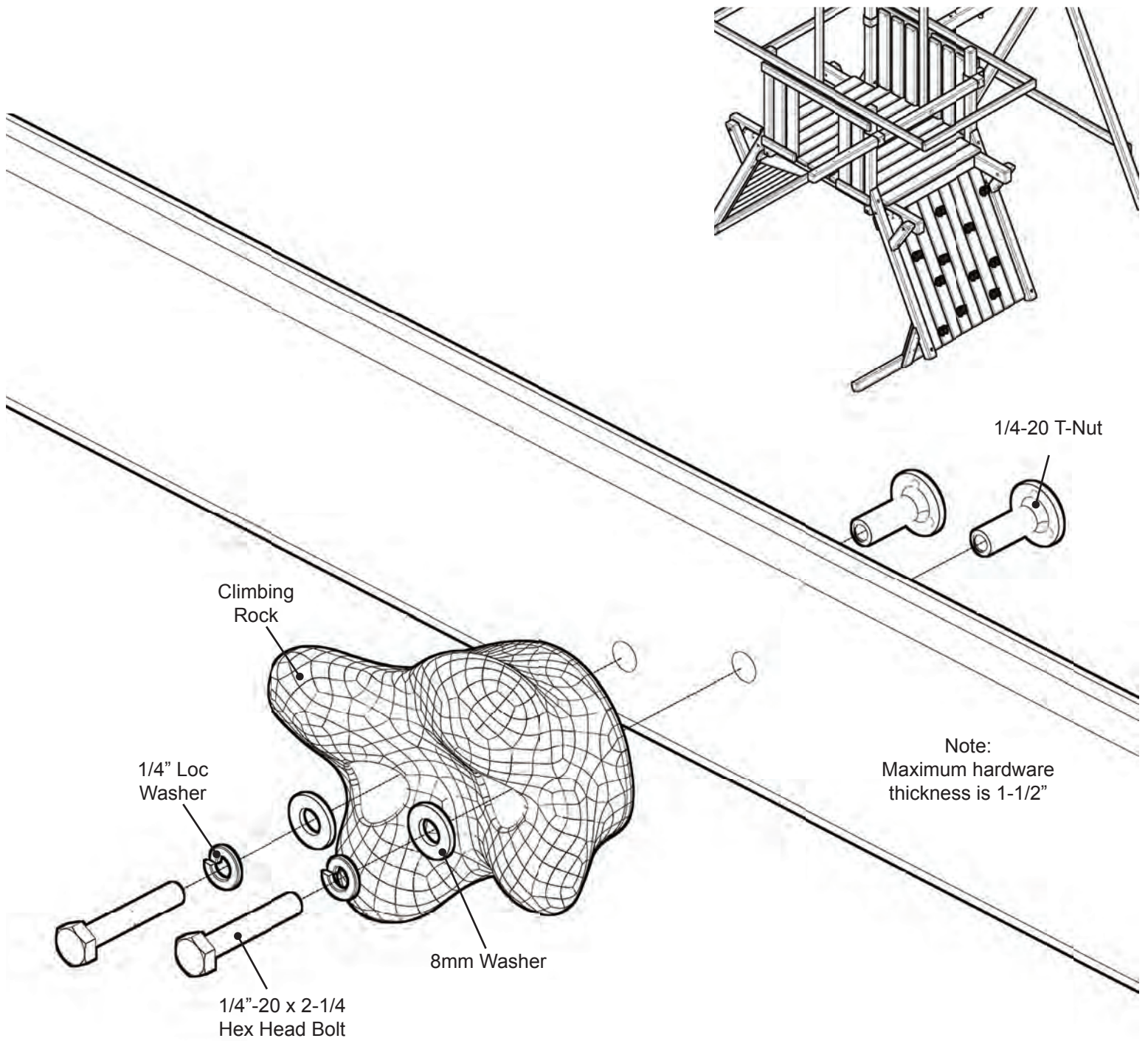
STEP 25



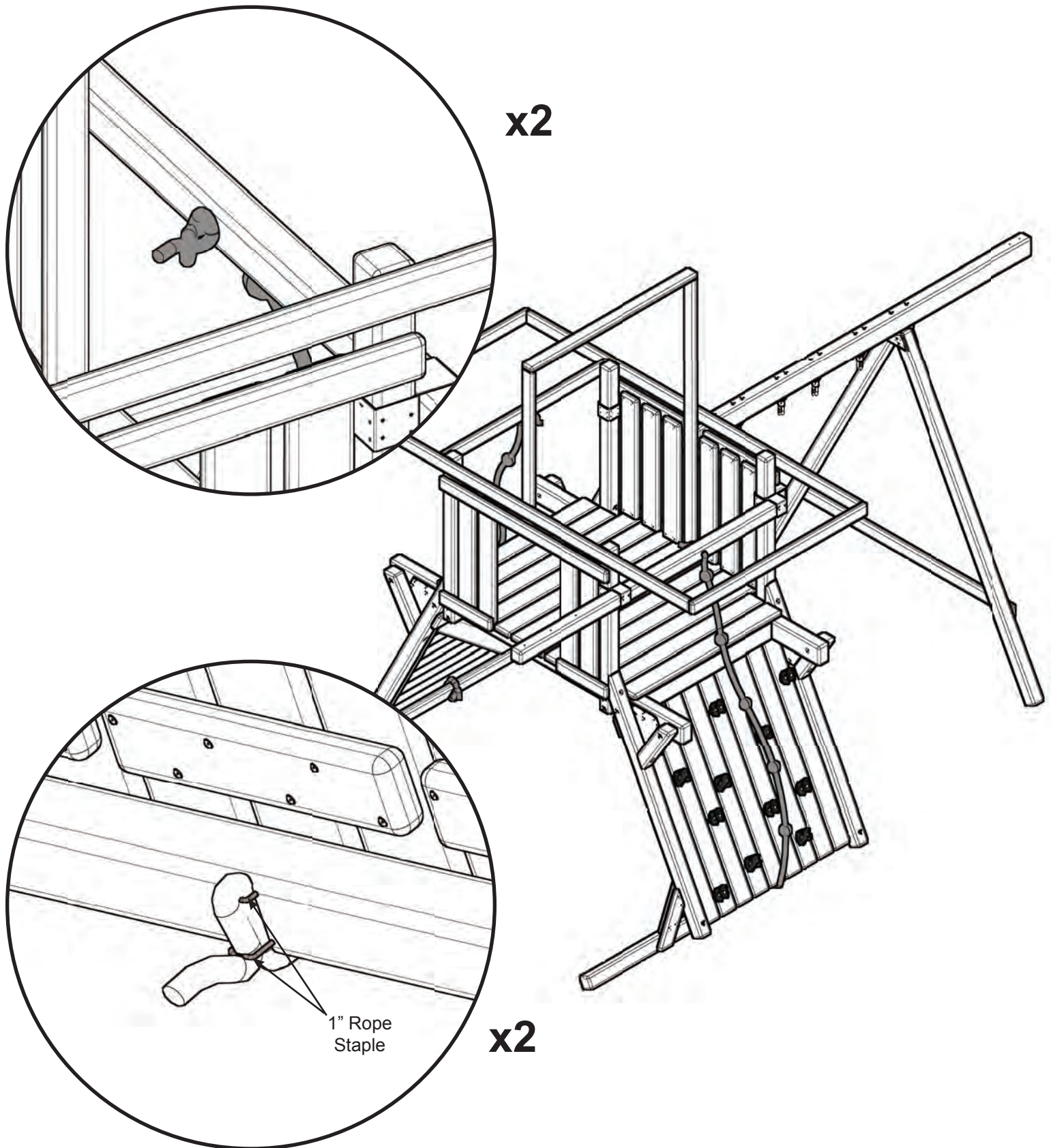
2-1/2" Deck Screw (x8)

1. Attach board as shown.

STEP 26

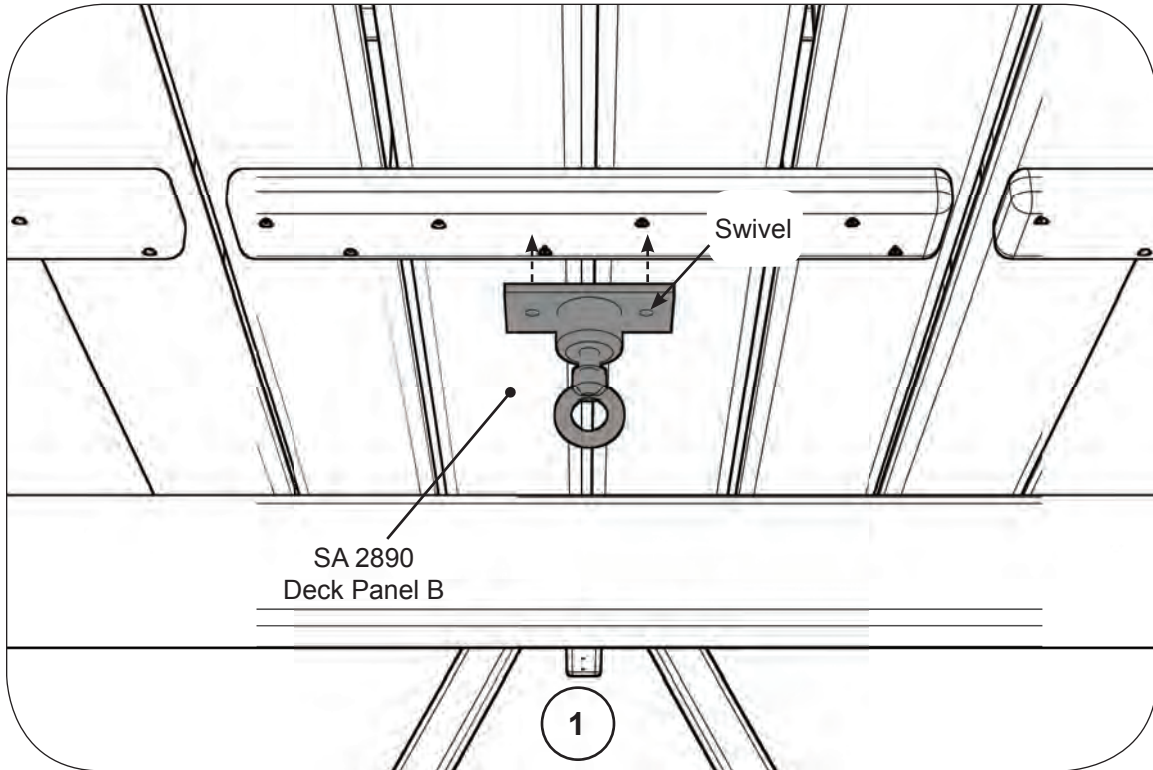


1. Mark locations of Climbing Rocks on both rock walls and drill a 3/8" hole (Avoid rear supports).
2. Attach climbing rocks as shown.
3. Make sure Climbing Rocks and rock wall connections are secure before use.

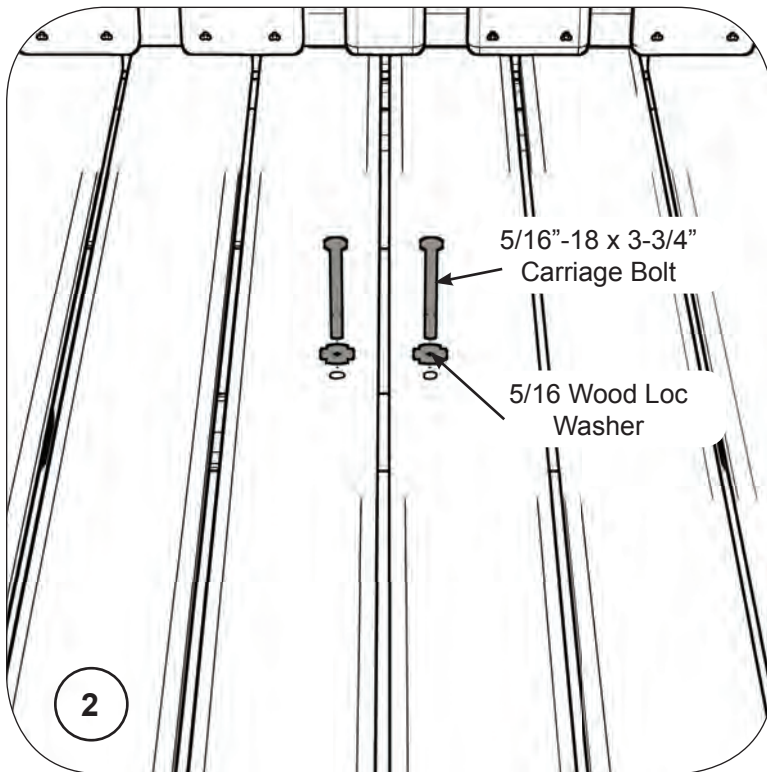


1. Insert rope(s) thru hole in top support board(s) and tie an overhand knot.
2. Tie an overhand knot approximate every 18" for hand grips, for a total of 5 knots.
3. Pull bottom of rope under Rock Wall, attach one rope staple, fold back onto itself and attach 2nd staple.

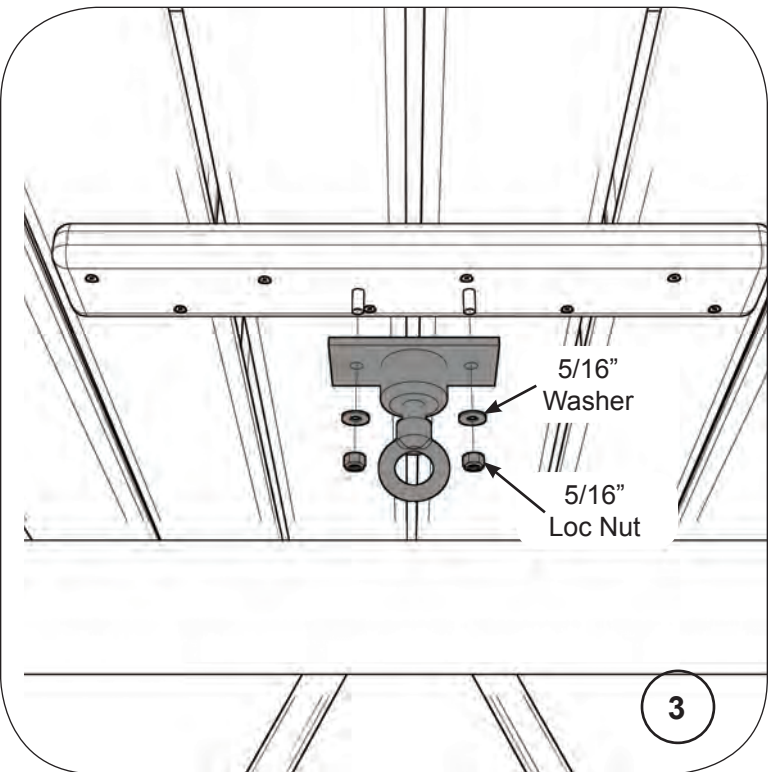
STEP 28



Underdeck View



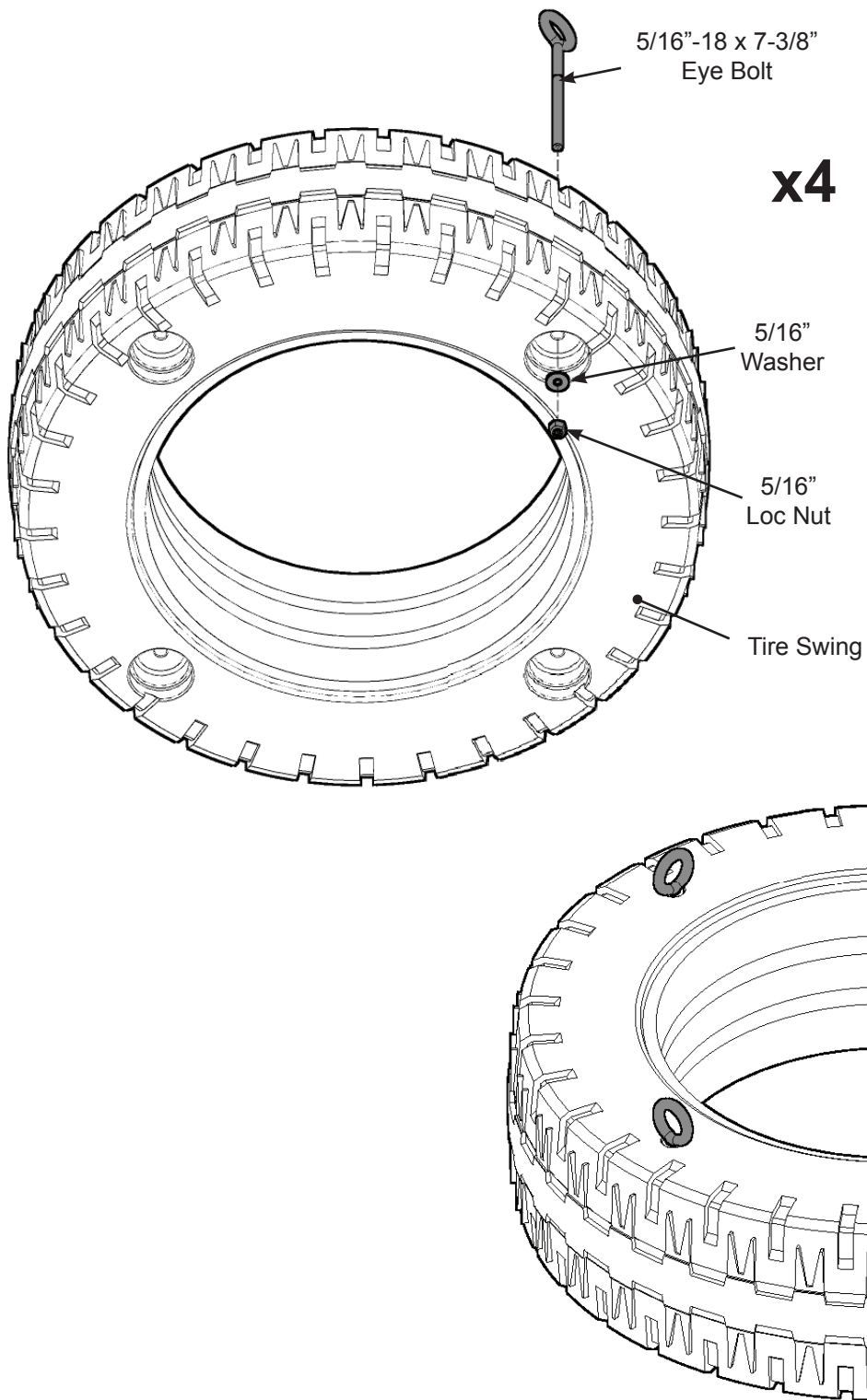
Top deck view



Underdeck View

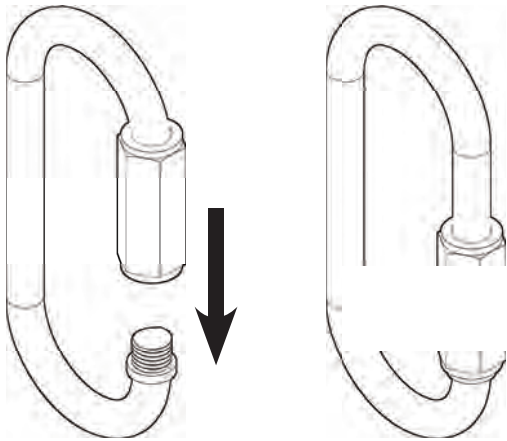
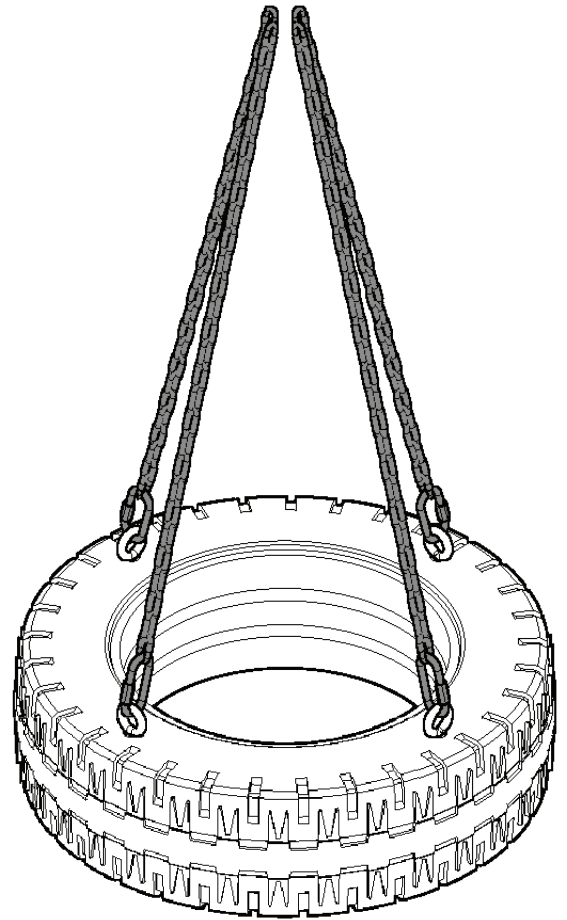
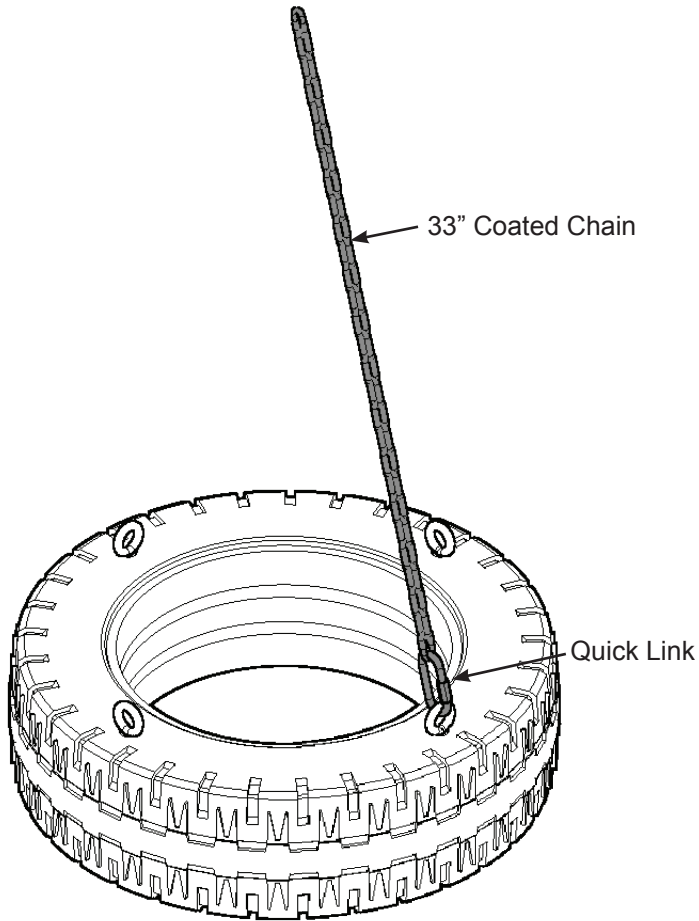
1. Center the Swivel under the deck, mark hole locations and drill two 3/8" holes.
2. Insert hardware into deck panel (from top side) as shown.
3. Attach swivel as shown.

STEP 29



1. Attach hardware to Tire Swing as shown.

STEP 30

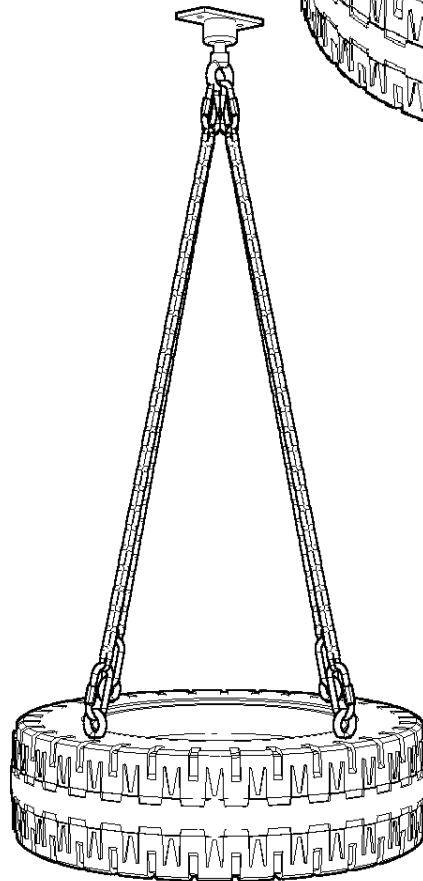


Quick Link "Open"

Quick Link "Closed"

Note:

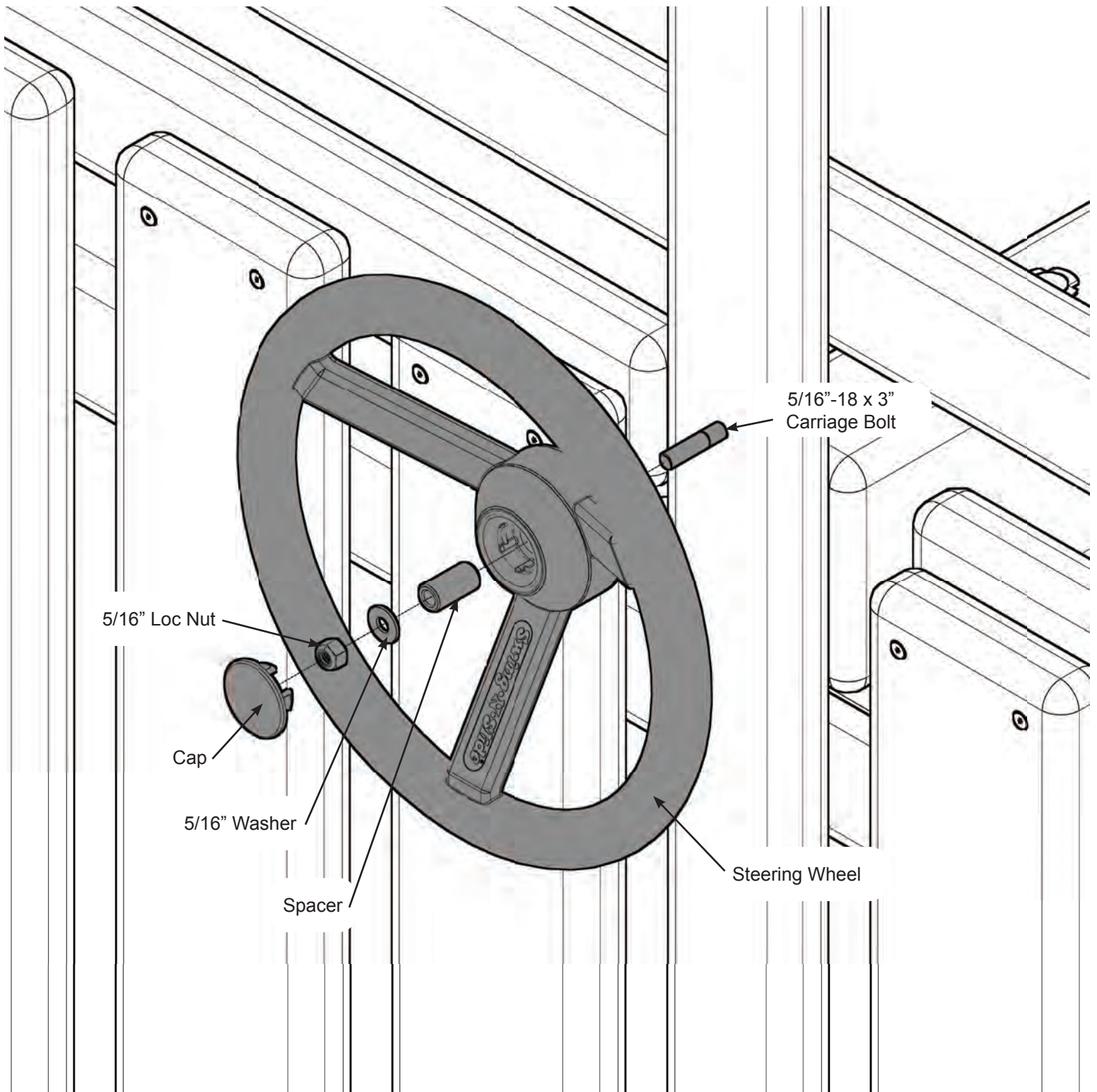
For correct installation, the thread must be at the bottom



Tighten Quick Link(s)

1. Attach hardware as shown.
2. Attach Tire Swing to swivel.

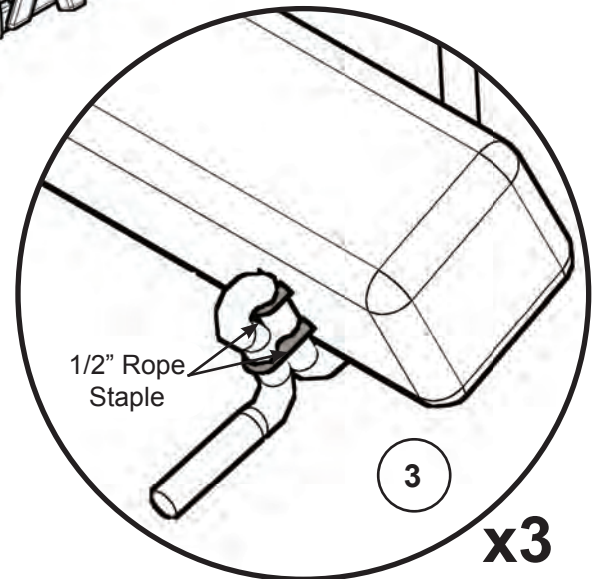
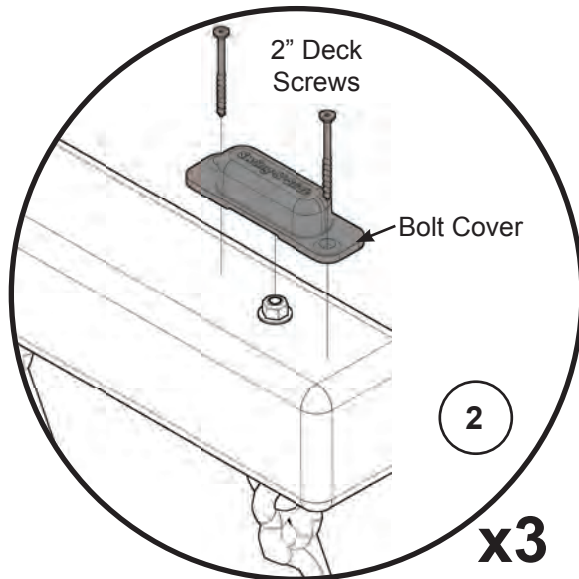
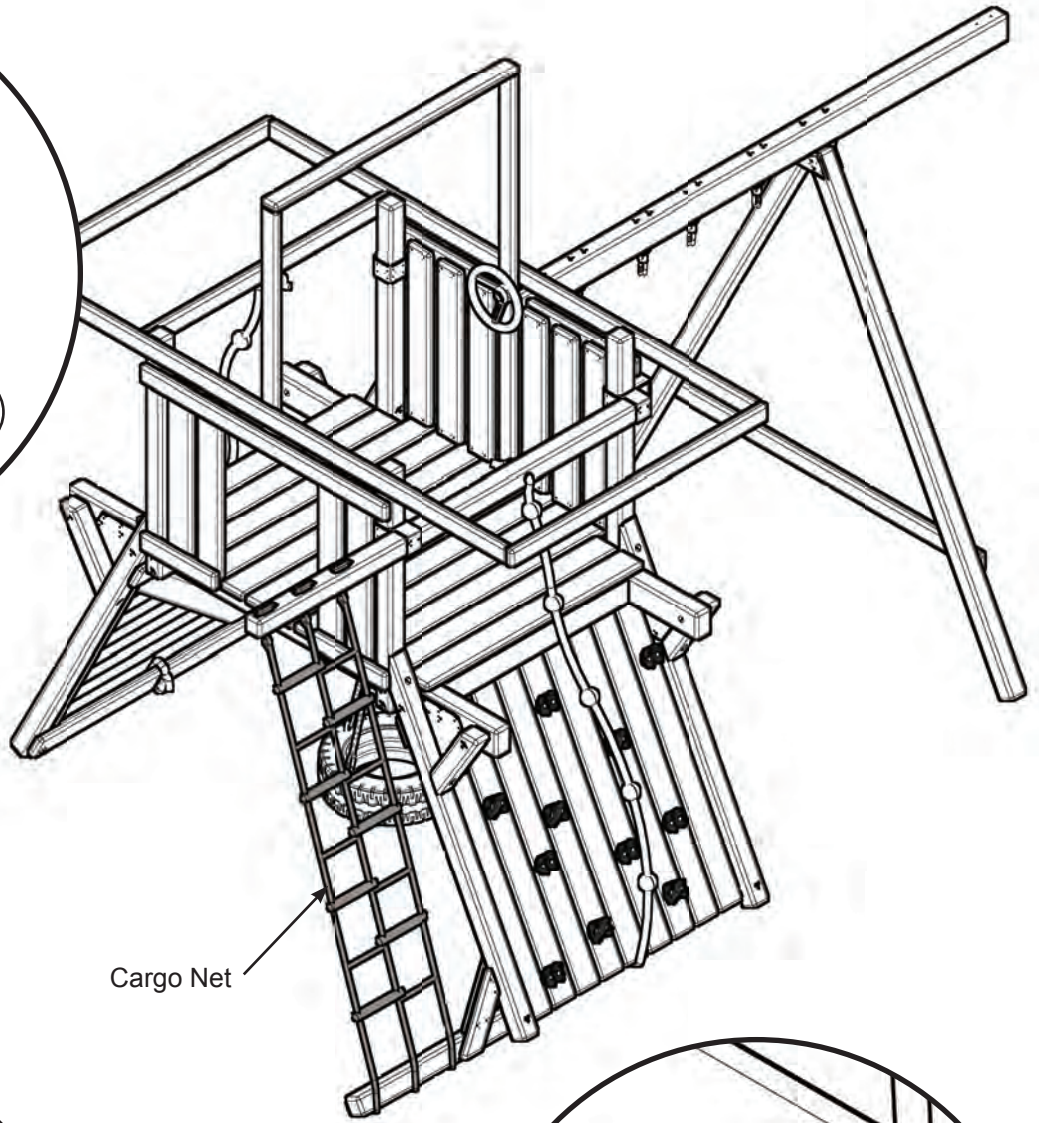
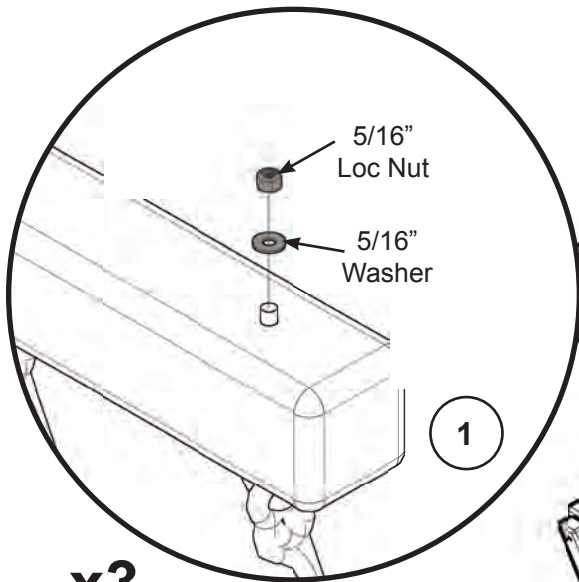
STEP 31



Note:

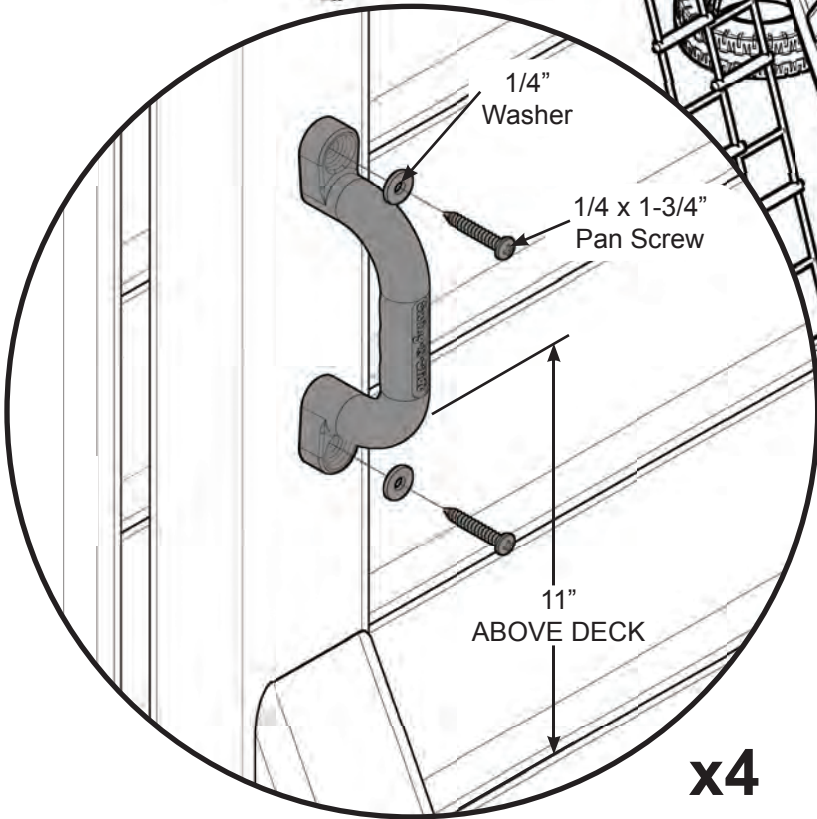
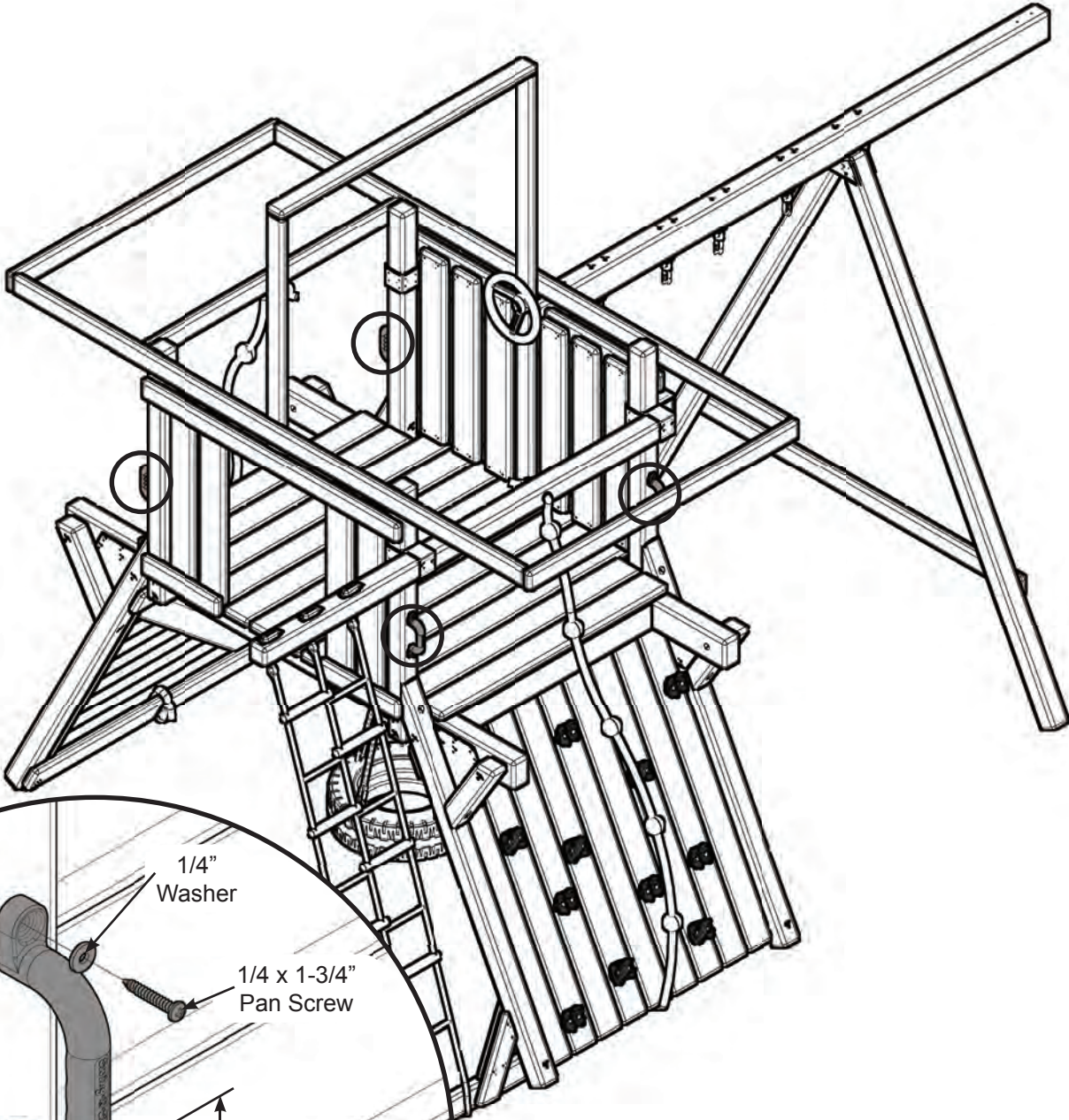
If lumber is greater than 2" thick, you will need to counterbore the hole appropriately.

1. Choose location for the Steering Wheel and drill one 3/8" hole.
2. Assemble Steering Wheel as shown.

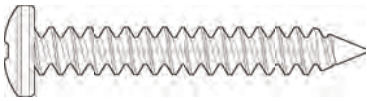


1. Insert eye bolt(s) into Accessory Arm Top and fasten as shown.
2. Attach Bolt Cover(s) over each eye bolt end as shown.
3. Pull bottom of rope under Accessory Arm Bottom, attach one rope staple, fold back onto itself and attach 2nd staple.

STEP 33

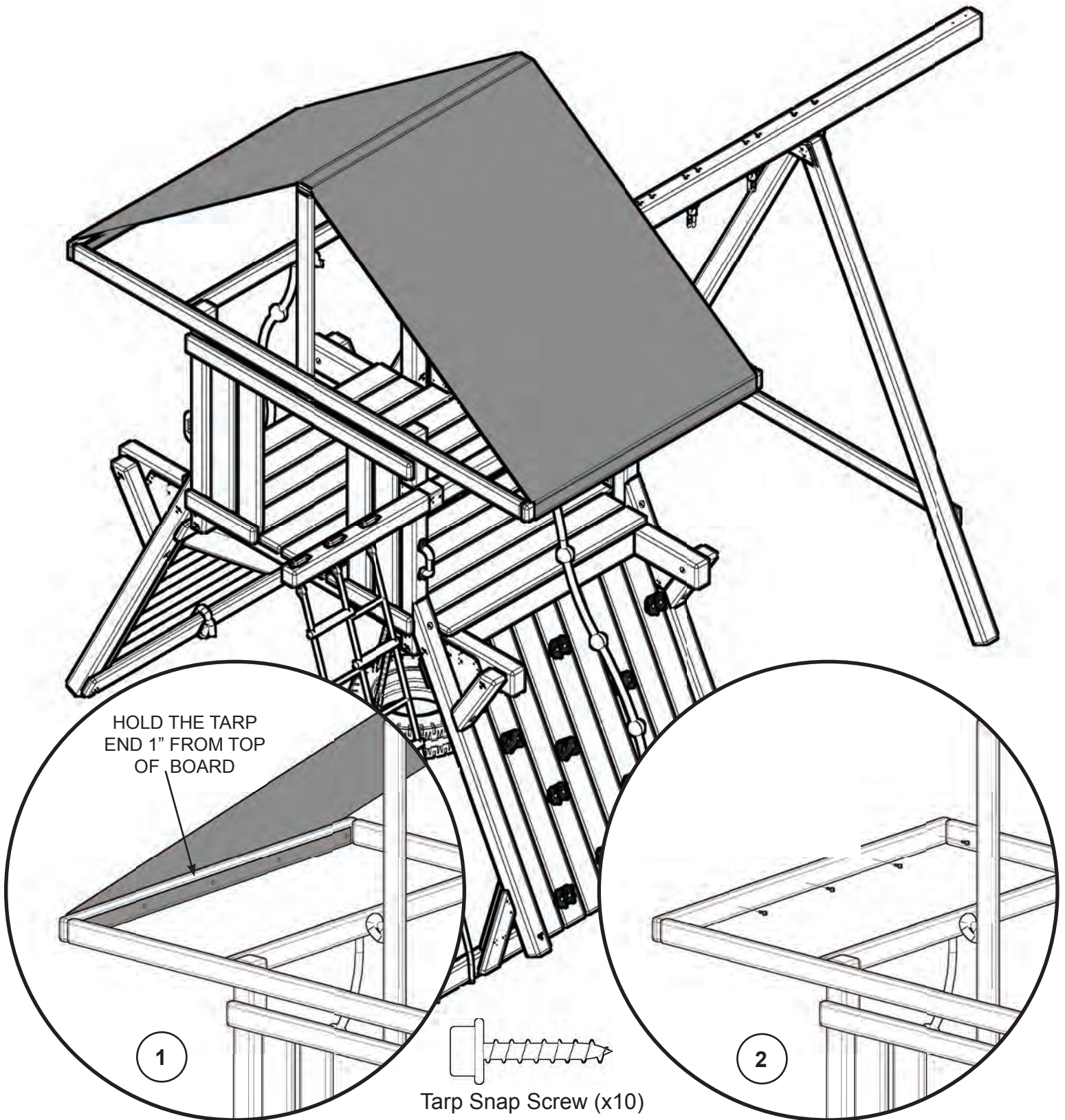


x4



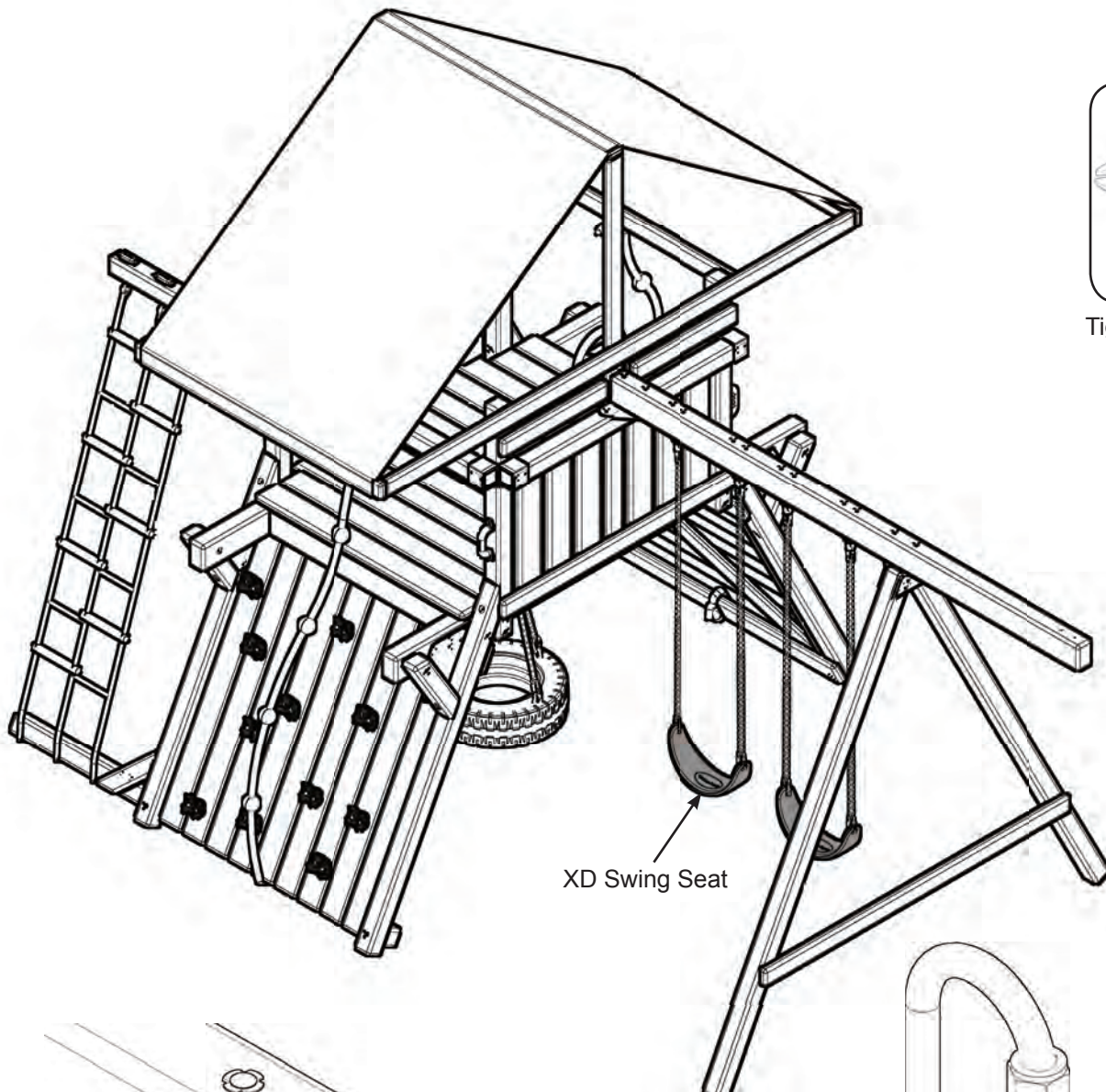
1-3/4" Pan Screw (x8)

1. Mount Safety Handle(s) on posts as shown.

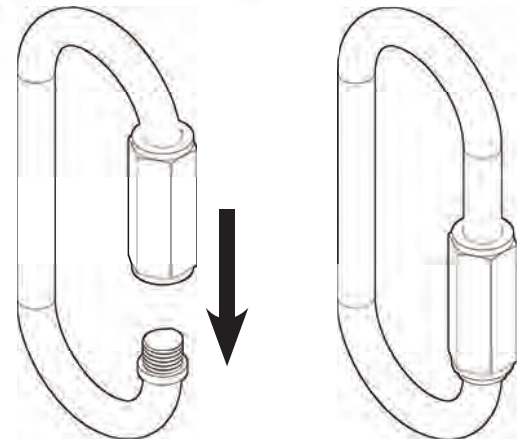
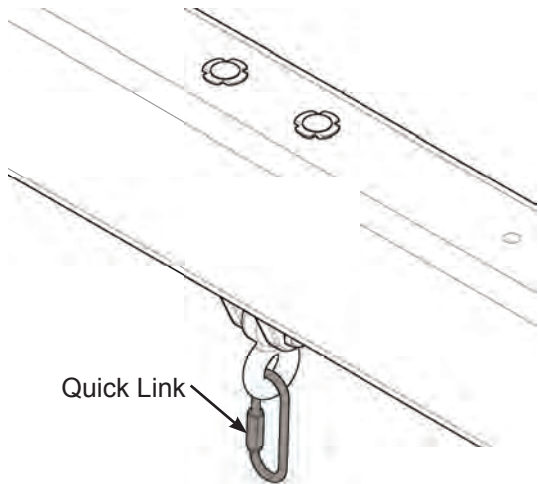


1. Wrap one end of the tarp around one support and tap the head of the snap(s) to leave an indent.
2. Install the Snap Screws at the indentations and attach the tarp to them.
3. Repeat for opposite end, pulling taught to eliminate any major wrinkles.

STEP 35



Tighten Quick Link(s)



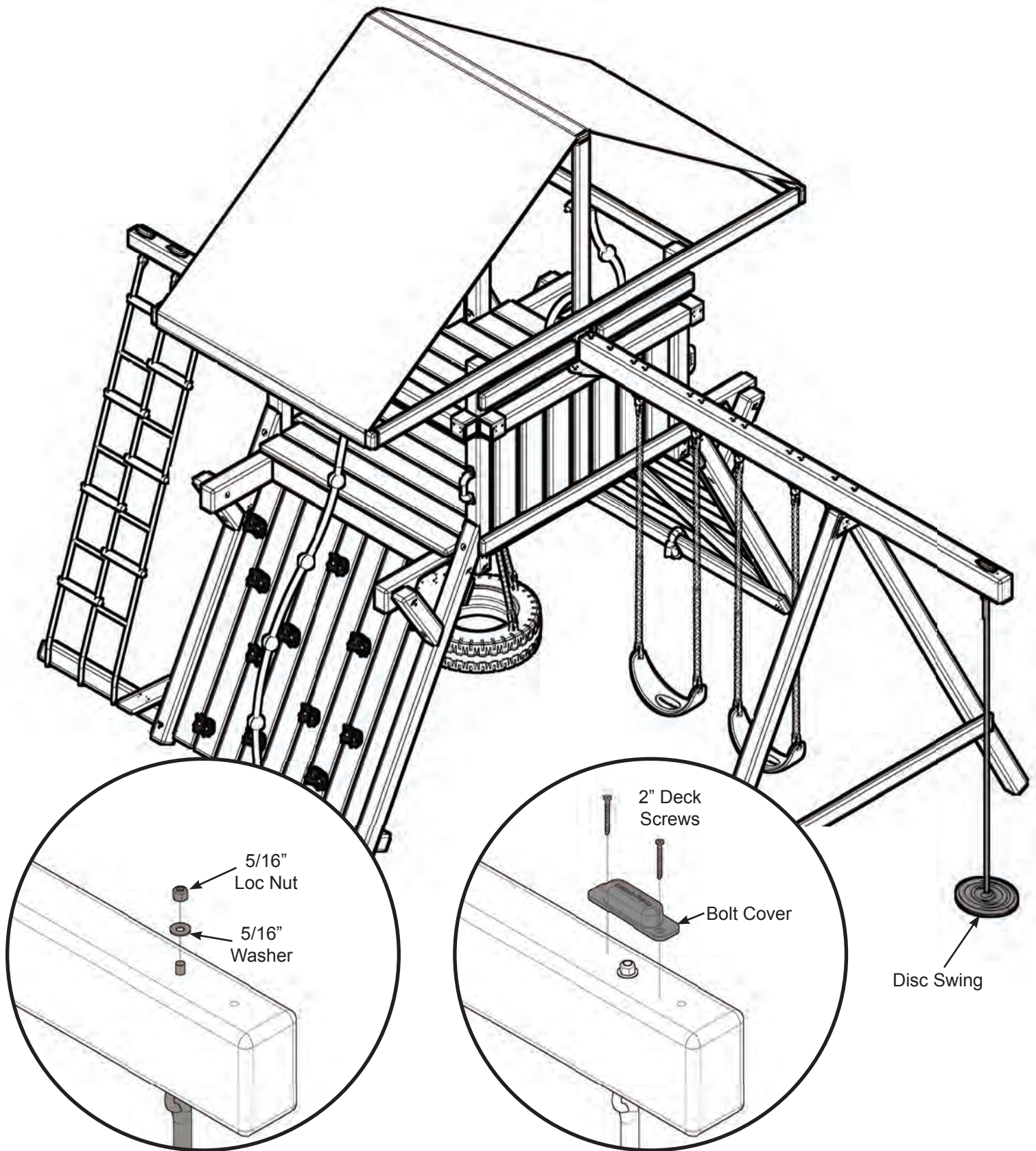
Quick Link
"Open"

Quick Link
"Closed"

Note:

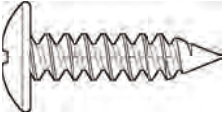
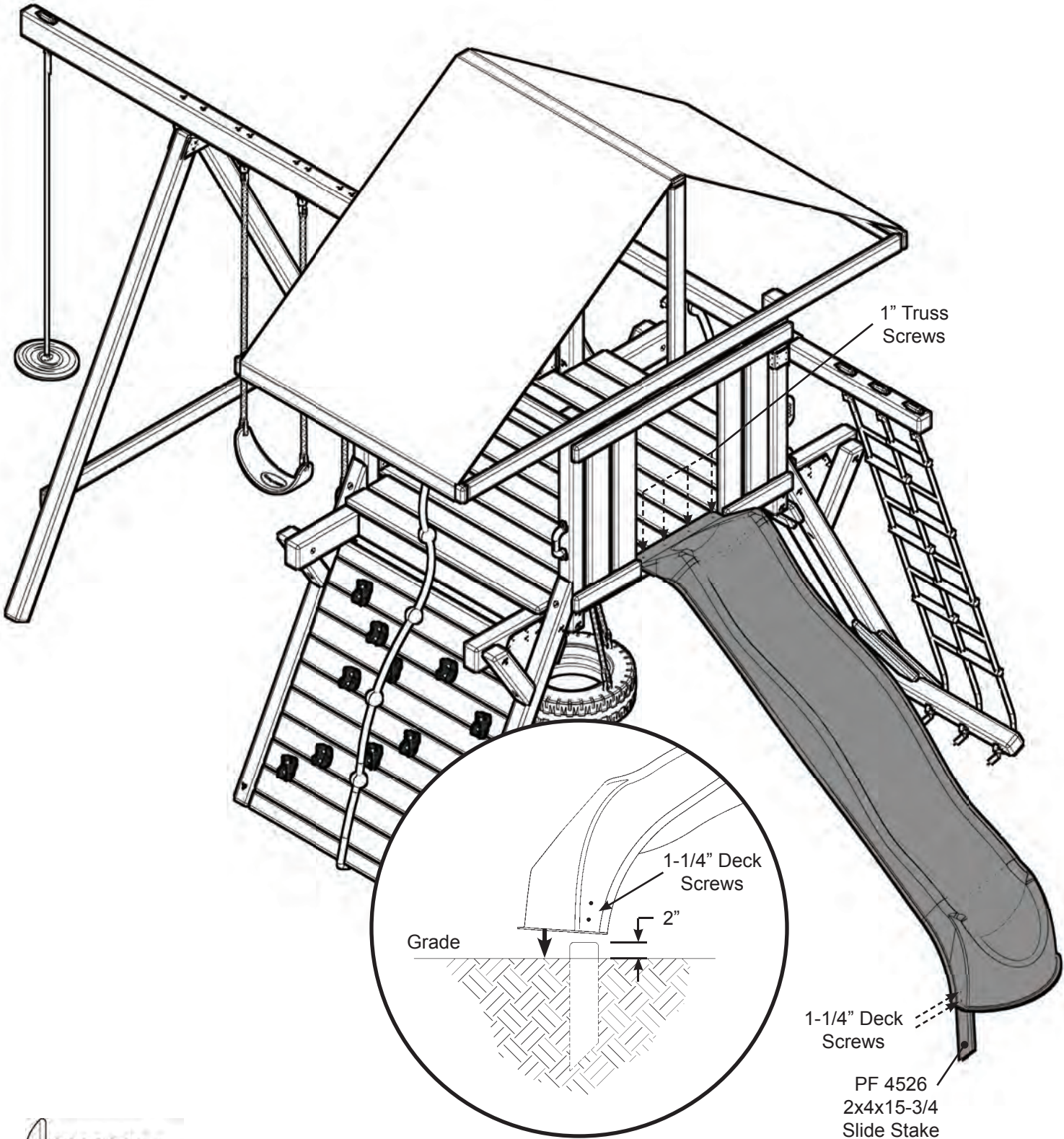
For correct installation, the thread
must be at the bottom

1. Attach Quick Link(s) to swing hangers as shown.
2. Attach XD Swing Seat(s) to Quick Link(s).

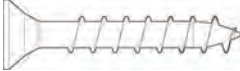


1. Insert eye bolt into swing beam and fasten as shown.
2. Attach Bolt Cover over eye bolt end as shown.

STEP 37



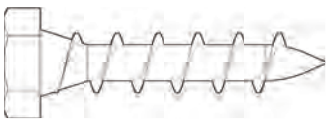
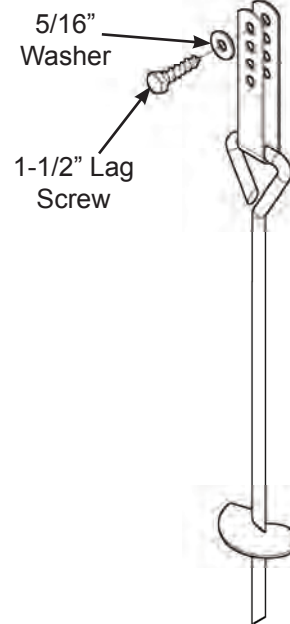
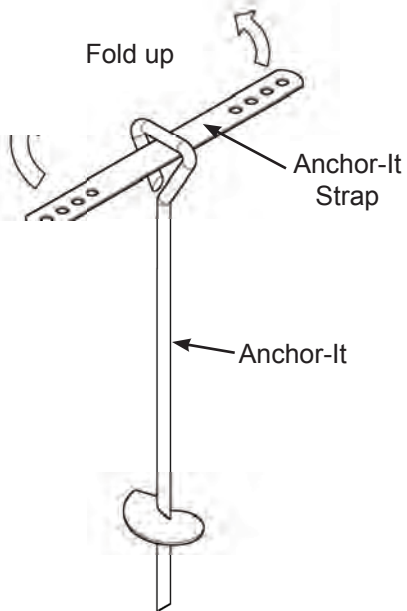
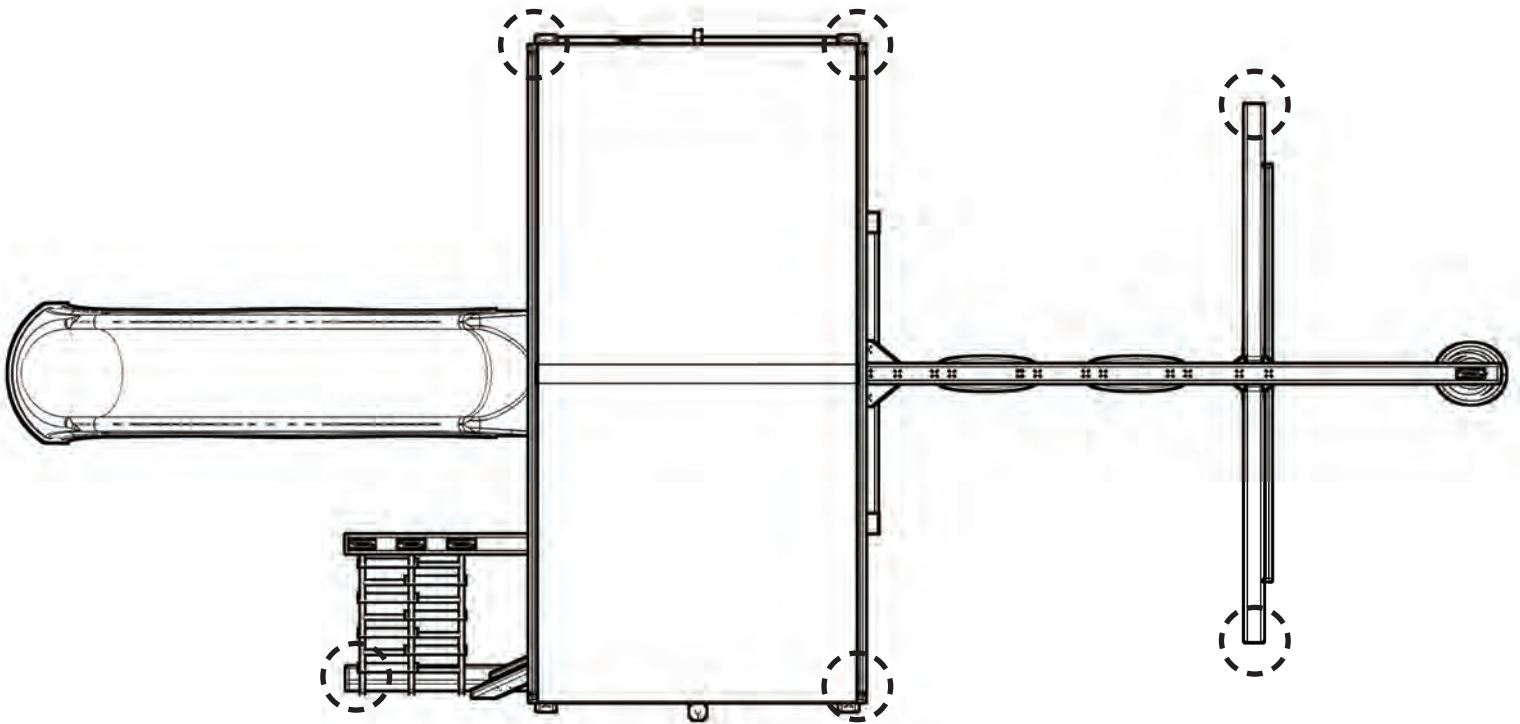
1" Truss Screw (x4)



1-1/4" Deck Screw (x2)

1. Attach slide as shown.

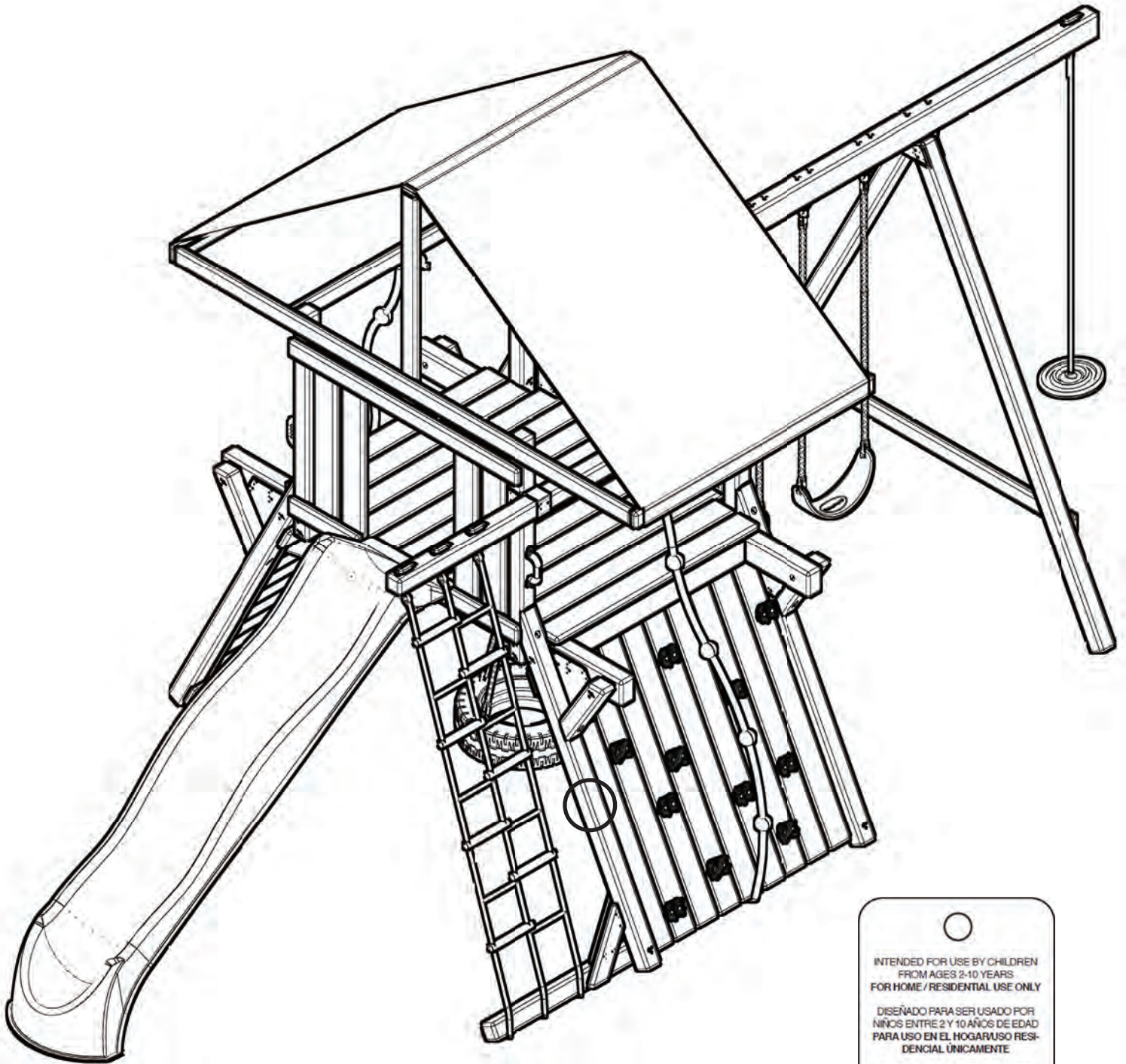
STEP 38



5/16 x 1-1/2" Lag Screw (x6)

1. Place swing set in final location and mount Anchor-It(s) at locations circled above.
 2. Twist the Anchor-It into the ground until only the loop is exposed.
 3. Place Anchor-It Strap thru loop, fold the ends together and attach to the unit as shown.
- Note: Keep as little play as possible using any of the holes in the strap that work best.**

STEP 39



1/2" Pan Screw (x2)



1. Attach ID Tag as shown.



A PLAYCORE[™] Company

800•888•1232

Got Questions? We've got answers!

Call our Customer Support Representatives

Available Monday - Friday, 7am - 5pm (CST)

Weekend support available April through Labor Day

Also available on Memorial Day, Fourth of July & Labor Day

Technical Support from experienced Swing-N-Slide Customer Service Representatives who have actually built a swing set themselves.