



Description

- Deluxe Chrome Finish
- 1/2" IPS Connections
- With Matching Sprayer
- Quality Brass Construction
- Single Handle Hot & Cold Control
- Wear Resistant Ceramic Disc Technology
- Four Hole Mounting

Compliance

- Designed to comply with requirements of ASME A112.18.1
- Meets low lead requirements of NSF Standard- 61, Section- 9
- Complies with the requirements of the UPC (Uniform Plumbing Code)
- Complies with ADA (American With Disabilities Act)
- Meets or exceeds CSA B125
- IAPMO (International Association of Plumbing

Listings

- IAPMO (International Association of Plumbing & Mechanical Officials)
- cUPC (Uniform Plumbing Code & Canadian Uniform Plumbing Code)
- AB 1953 Lead Standard

Warranty

- Limited Lifetime Warranty
- Refer to Premier Faucet warranty program for further details and restrictions.

Sonoma™



Model 120449LF

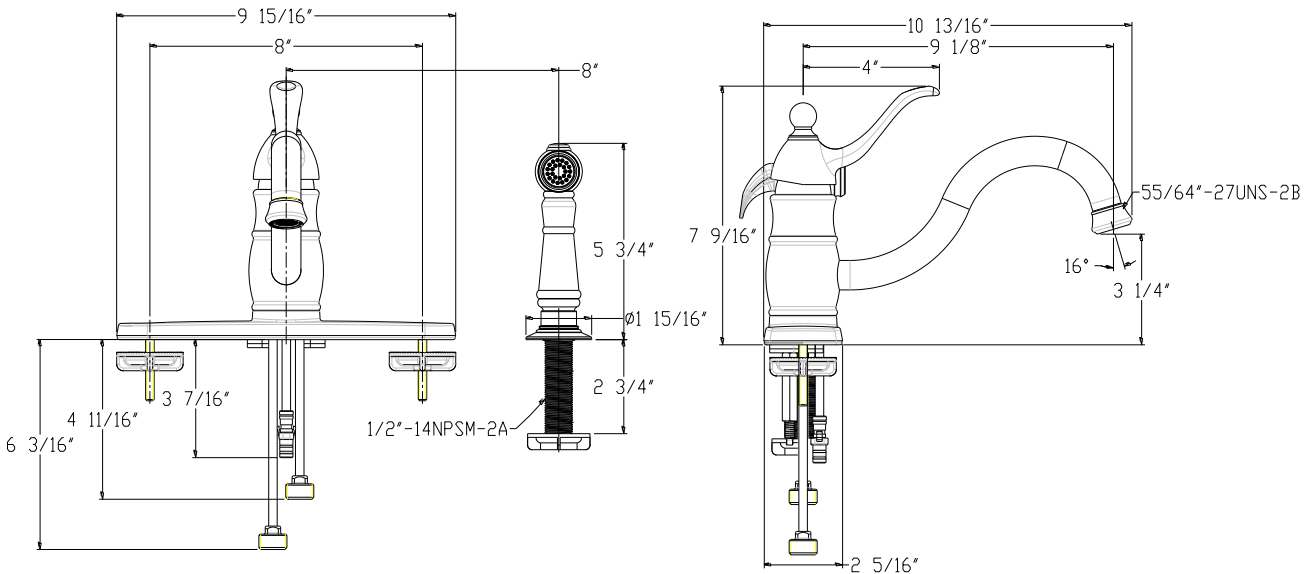
Single Metal Handle Kitchen Faucet

Chrome Plated Finish

Ceramic Cartridge

With 521N Metal Side Spray

1/2" IPS Connection



For additional information contact Premier Faucet at 866-745-4010 or visit our website at www.premierfaucet.com



Description

- Brushed Nickel PVD
- 1/2" IPS Connections
- With Matching Sprayer
- Quality Brass Construction
- Single Handle Hot & Cold Control
- Wear Resistant Ceramic Disc Technology
- Four Hole Mounting

Compliance

- Designed to comply with requirements of ASME A112.18.1
- Meets low lead requirements of NSF Standard- 61, Section- 9
- Complies with the requirements of the UPC (Uniform Plumbing Code)
- Complies with ADA (American With Disabilities Act)
- Meets or exceeds CSA B125
- IAPMO (International Association of Plumbing

Listings

- IAPMO (International Association of Plumbing & Mechanical Officials)
- cUPC (Uniform Plumbing Code & Canadian Uniform Plumbing Code)
- AB 1953 Lead Standard

Warranty

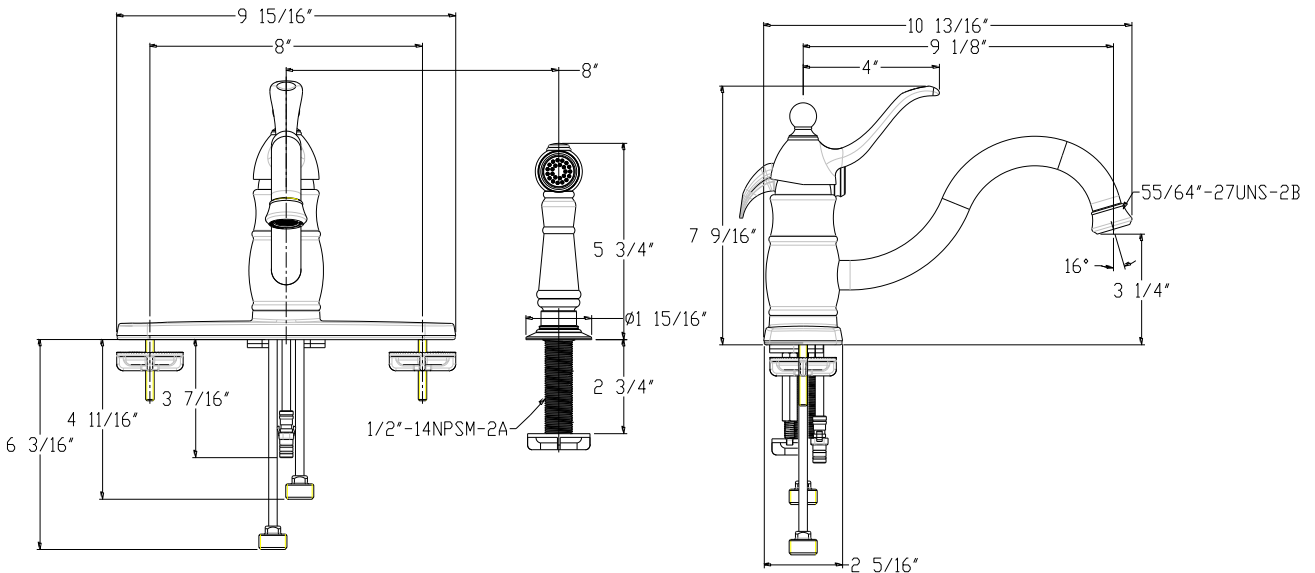
- Limited Lifetime Warranty
Refer to Premier Faucet warranty program for further details and restrictions.

Sonoma™



Model 120450LF

Single Metal Handle Kitchen Faucet
 Brushed Nickel PVD
 Ceramic Cartridge
 With 521N Metal Side Spray
 1/2" IPS Connection



For additional information contact Premier Faucet at 866-745-4010 or visit our website at www.premierfaucet.com



Description

- Oil Rubbed Bronze
- 1/2" IPS Connections
- With Matching Sprayer
- Quality Brass Construction
- Single Handle Hot & Cold Control
- Wear Resistant Ceramic Disc Technology
- Four Hole Mounting

Compliance

- Designed to comply with requirements of ASME A112.18.1
- Meets low lead requirements of NSF Standard- 61, Section- 9
- Complies with the requirements of the UPC (Uniform Plumbing Code)
- Complies with ADA (American With Disabilities Act)
- Meets or exceeds CSA B125
- IAPMO (International Association of Plumbing

Listings

- IAPMO (International Association of Plumbing & Mechanical Officials)
- cUPC (Uniform Plumbing Code & Canadian Uniform Plumbing Code)
- AB 1953 Lead Standard

Warranty

- Limited Lifetime Warranty
- Refer to Premier Faucet warranty program for further details and restrictions.

Sonoma™



Model 120451LF

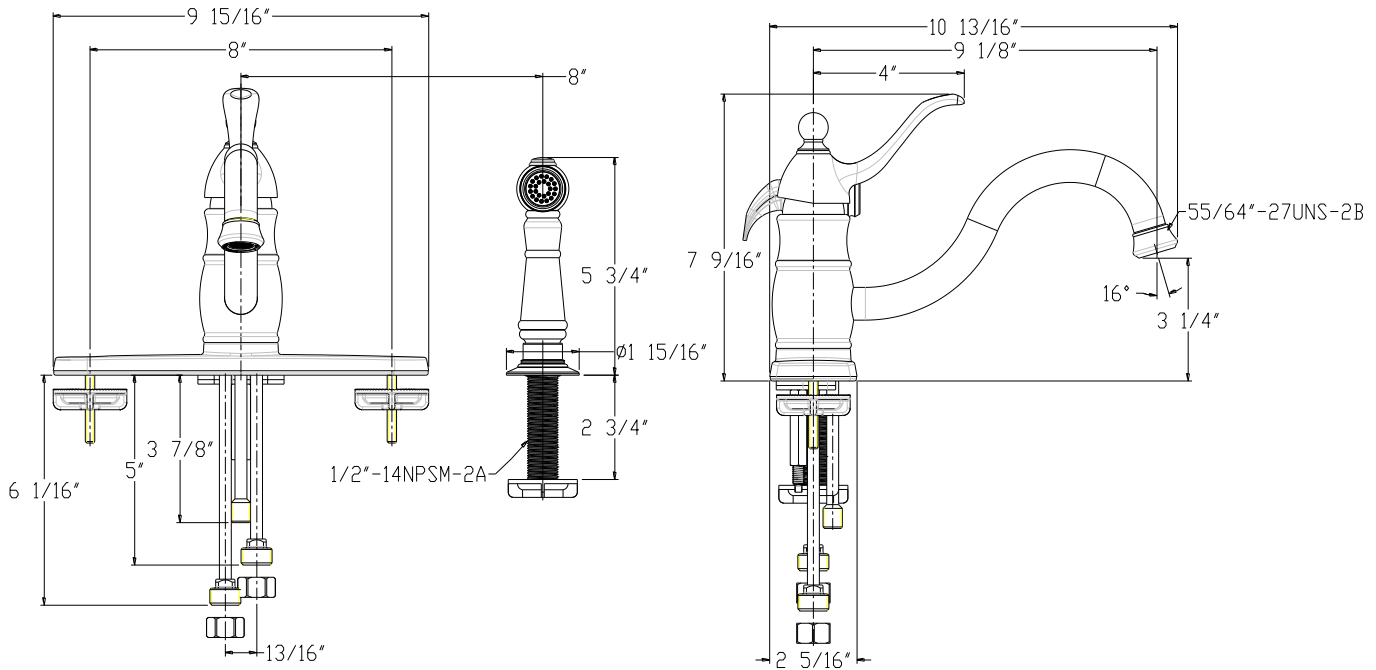
Single Metal Handle Kitchen Faucet

Oil Rubbed Bronze

Ceramic Cartridge

With 521N Metal Side Spray

1/2" IPS Connection



For additional information contact Premier Faucet at 866-745-4010 or visit our website at www.premierfaucet.com