
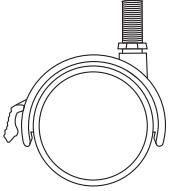


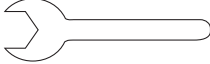
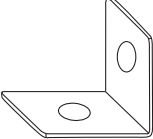



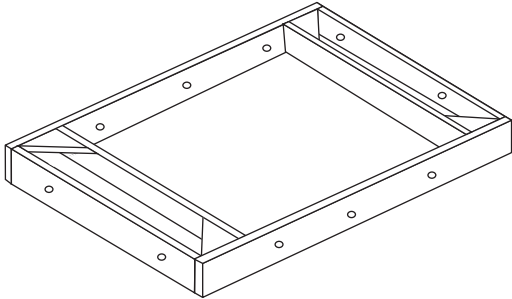
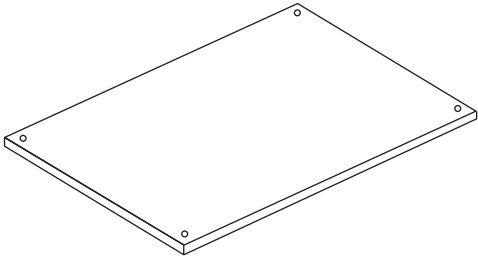


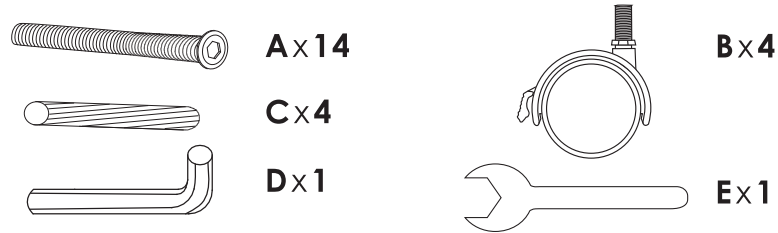
Hardware and Tools List

Hardware & Tools	Ref.No	Description
	A	Screw (35mm)
	B	Wheel
	C	Dowel
	D	Wrench
	E	Wrench
	F	Bracket
	G	Screw (12mm)

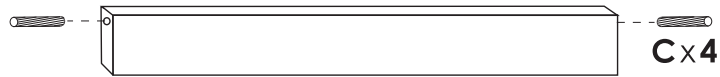
Trundle Parts List

Parts	Ref.No	Description
	① x 2	Side Panel
	② x 2	End Panel
	③ x 1	Trundle Frame
	④ x 1	Slat Set

Trundle Assembly Instructions



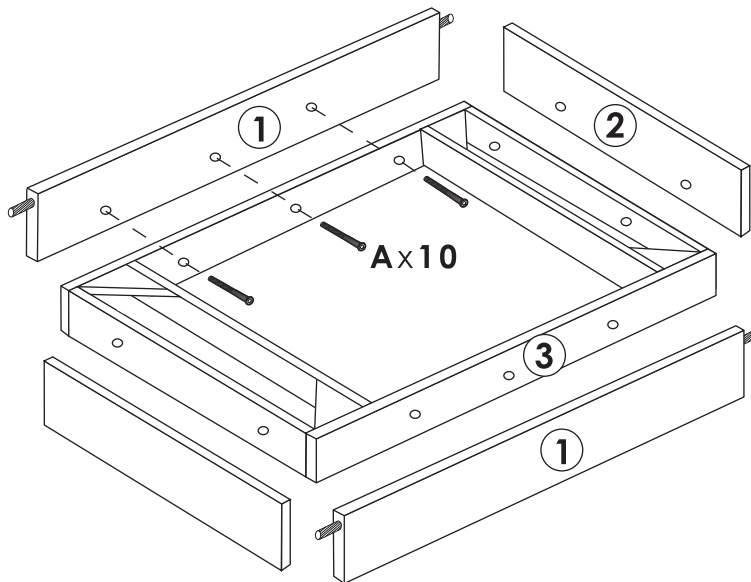
Step 1.



Step 2.

Connect Side Boards (1) to the trundle frame (3) by inserting screw **A** into the pre-installed nut as indicated.

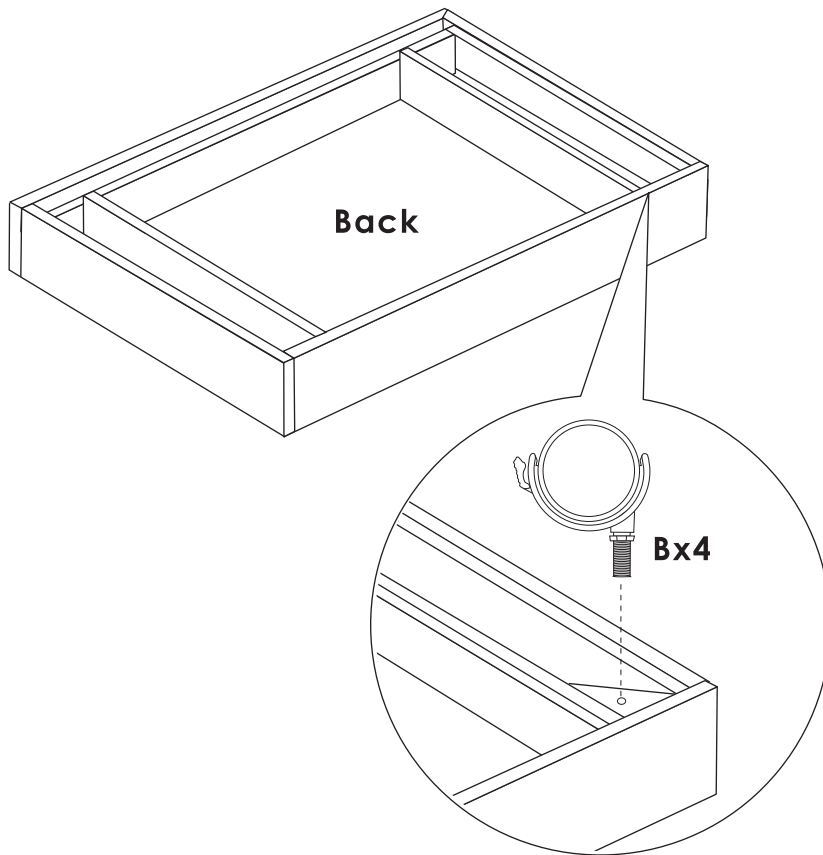
Then repeat the process for the end Boards (2).



Trundle Assembly Instructions

Step2.

Turn over the Trundle and insert wheel **B** into the pre-installed nut and repeat the process for all 4 corners.

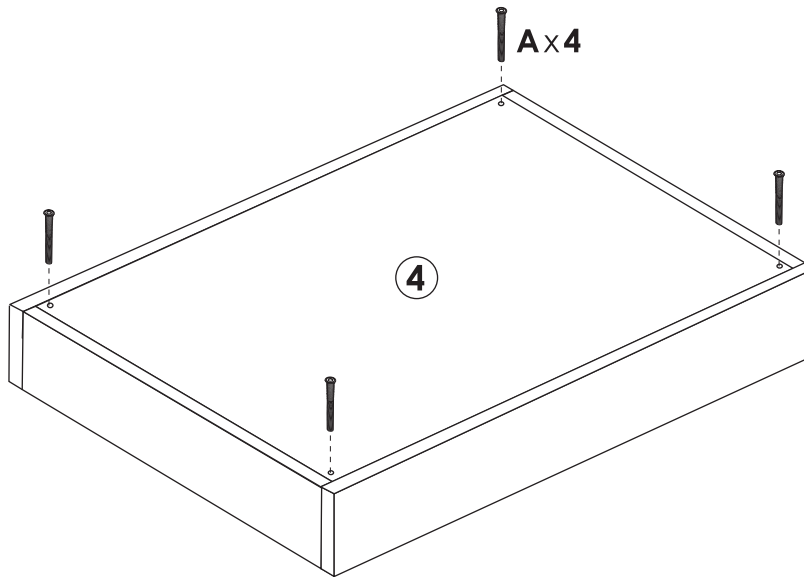


Trundle Assembly Instructions

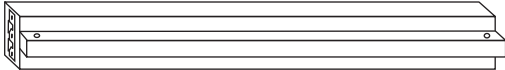
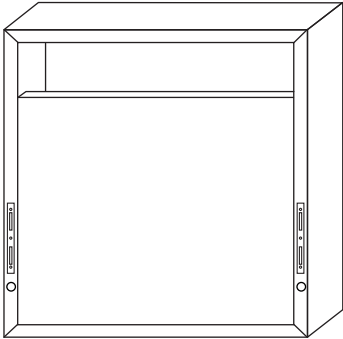
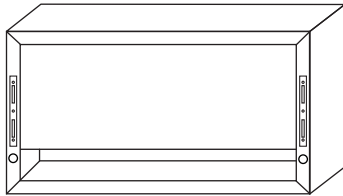
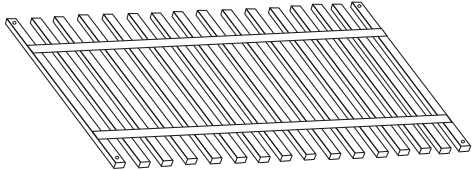
Step3.

After the wheels are installed,turn the trundle over so that the wheels are put onto the ground.

Put the Slat Set onto the Trundle and insert screw **A** into the pre-installed nut. Repeat the same process for the 4 corners. The Slat Set will be securely attached to the Trundle Frame.



Platform Bed Parts List

Parts	Ref.No	Description
	① x 2	Side Board
	② x 1	Head Board
	③ x 1	Foot Board
	④ x 1	Slat Set

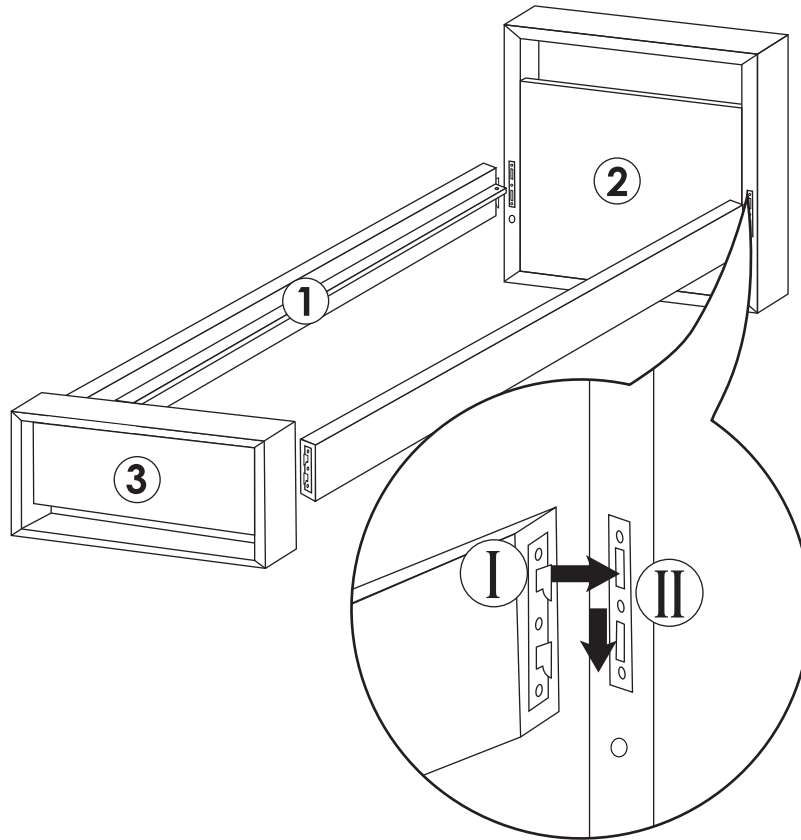
Platform Bed Assembly Instructions



Step 1.

Connect the Side Board ① to the Head Board by inserting the hardware attached to Side Board ① to the hole of the hardware attached to Head Board ②. Then repeat the process for the End Board ③.

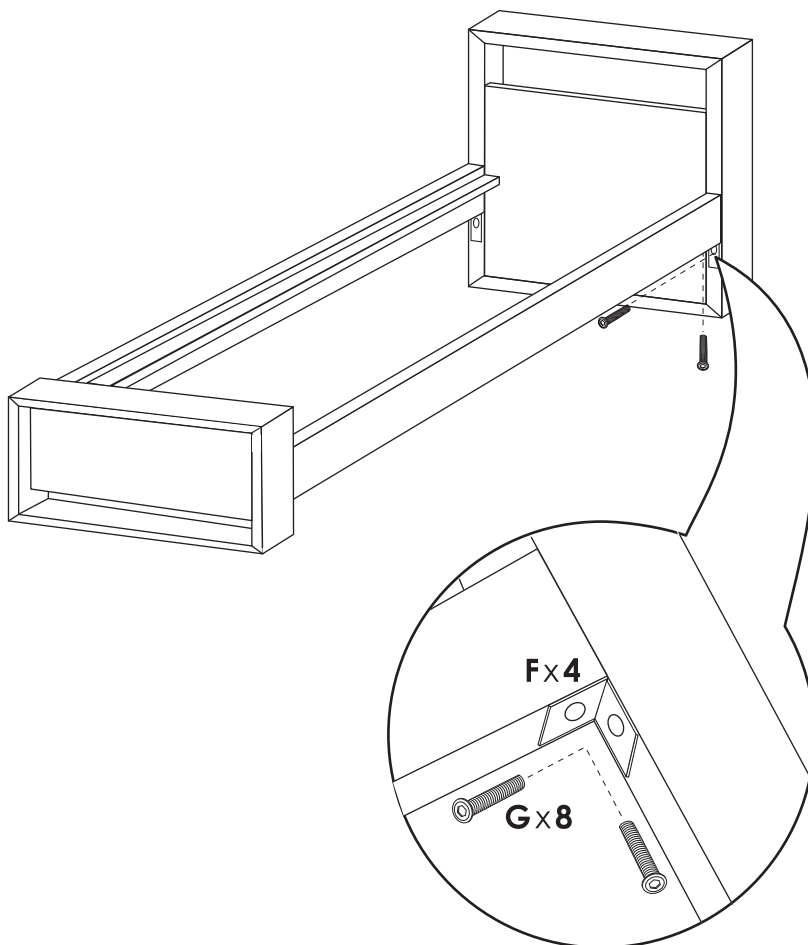
Once one side of the Side Board is installed onto the Head & Foot Boards, repeat the process for the other Side Board.



Platform Bed Assembly Instructions

Step 2.

Screw the **F** bracket into the pre-drilled screw holes with **G** screws. Tighten with **D** wrench. Repeat this 4 times using all 4 **F** brackets. 2 on each Head Board and End Board.



Platform Bed Assembly Instructions

Step 3.

Put the Slat Set onto the bed and insert Screw **A** into the pre-installed nut.

Repeat the process for the 4 corners. The Slat Set will be securely attached to the Bed.

