

Assembly Instructions

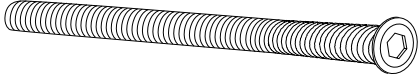
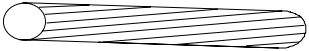
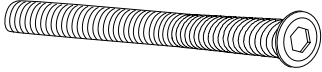
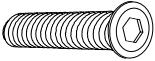


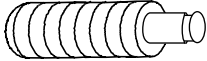

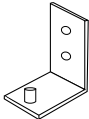

This booklet contains instructions for all Nurseryworks products. Please locate the appropriate instructions for the product that you have ordered. Each page contains a diagram of hardware with instructions. Please note that the hardware is labeled with A letter and number: The letter is the type of hardware, (AX) and the number is the amount of pieces that are needed to put together the item (AX4).

Congratulations!

You are now the owner of a Nurseryworks product...a line of modern baby furniture that redefines the nursery. Nurseryworks' products are designed with both style and functionality in mind, and we hope it becomes a source of pleasure for you and your family. Quality material, workmanship and pride have gone into these products. Proper assembly is important to ensure a safe and comfortable end result for your baby. Please read all instructions before assembly, and keep instructions for future use.

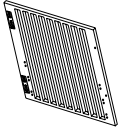
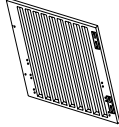
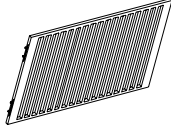
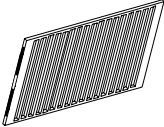
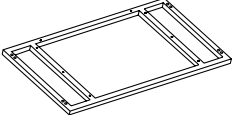
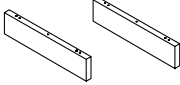
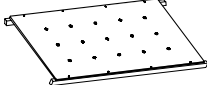
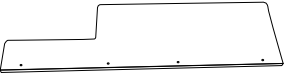


Hardware and Tools List

Hardware&Tools	Ref.No	Description
	A	Screw (50mm)
	B	Dowel (40mm)
	C	Screw (35mm)
	D	Screw (15mm)
	E	Screw (Pre-installed into the mattress board)
	F	Ball-Bearing Screw (Pre-installed into the slat)
	G	Screw With Pin (Pre-installed into the slat)
	H	Nuts (Pre-installed into the slat)
	J	Bracket
	K	Wrench

Please note that screw E requires a Phillips Head Screw driver which is not provided.

Platform Crib Parts List

Parts	Ref.No	Description
	① A	Crib End Slat- right hand side
	① B	Crib End Slat- left hand side
	②	Crib Back Slat
	③	Crib Dropside
	④	Crib Platform
	⑤	Legs
	⑥	Mattress Board with Stabilizer Bars
	⑦	Conversion Kit

Platform Crib Assembly Instructions



A x 18



B x 3



C x 4



D x 8



J x 4



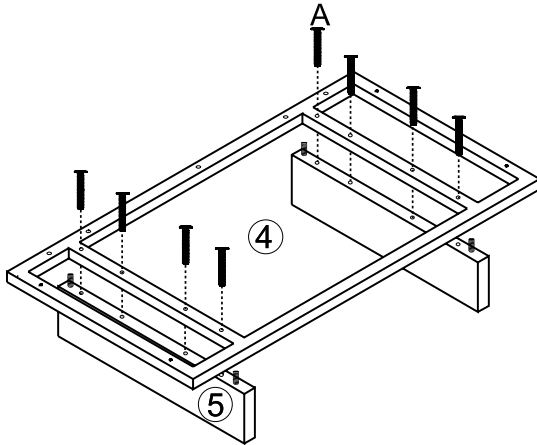
K x 1

CAUTION: Be sure to tighten all bolts and other fasteners securely, and routinely maintain the proper tightening of these bolts and fasteners.

CAUTION: When a child reaches the height of 35 inches (or 90cm), the child should be placed in a youth or regular bed.

CAUTION: Any mattress used in this crib must be at least 27 1/4 inches by 51 5/8 inches with a thickness not exceeding 6 inches.

SETTING UP THE PLATFORM BASE

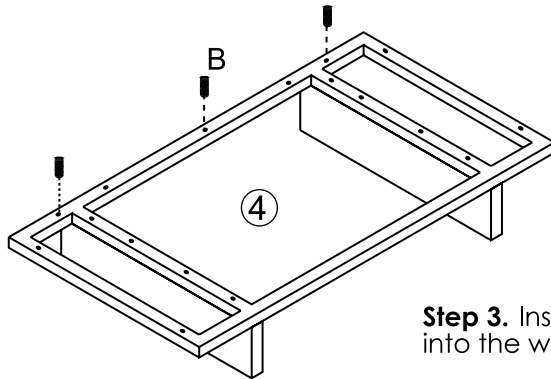


Step 1. Affix the leg (5) onto the wooden frame (4) by inserting the 4 dowels B into the pre-drilled holes of the wooden frame. The wooden frame should now be sitting on its' legs as the next picture illustrates.

Step 2. Insert four of the A screws into the pre-drilled holes on the platform. Screw them tightly into the platform with the K wrench, securing the platform to the legs.

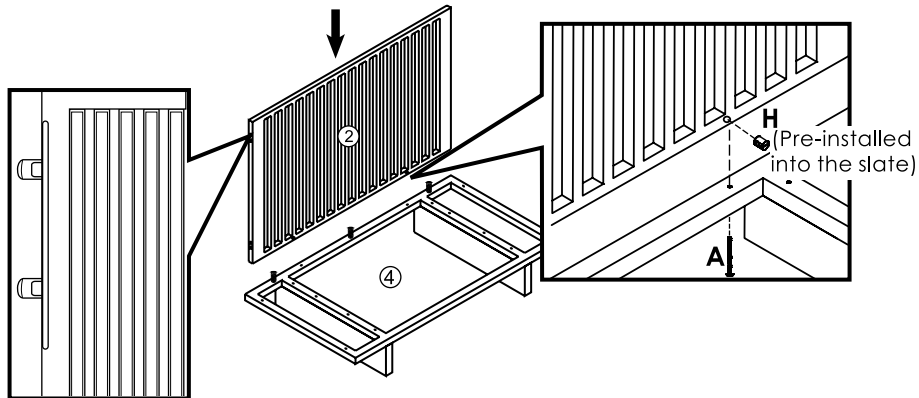
Platform Crib Assembly Instructions

SETTING UP THE PLATFORM BASE



Step 3. Insert three of the dowel **B** into the wooden frame **④**.

SETTING UP THE BACK OF CRIB RAILS

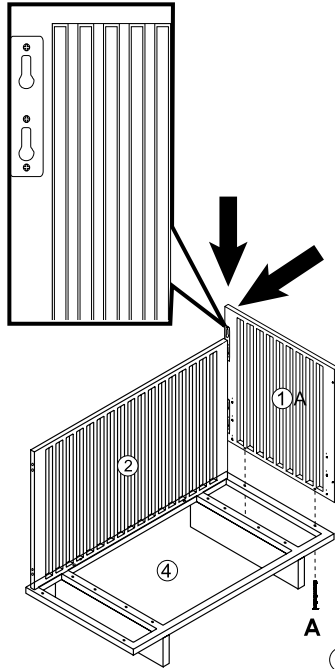


Step 4. Place the crib back slat **②** on the platform **④**, and ensure that the dowels **B** are inserted into the pre-drilled holes. The back slat will now be stabilized.

Step 5. Screw in two of the **A** screws into the pre-drilled holes underneath the platform and tighten with the **K** wrench, locking the back slat into place.

Platform Crib Assembly Instructions

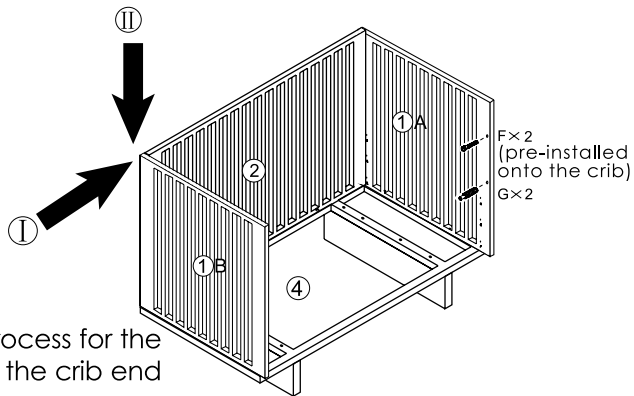
SETTING UP THE SIDES OF CRIB RAILS



Step 6. Identify the right hand crib end slat **1A** by standing in front of the crib, and matching the end slat with the hardware on it that has holes which correspond with the pre-installed nuts on the back slat. Insert the nuts into the holes.

When the hardware is tightly locked together, push down on the end slat so that it locks into place at the same level as the backslat.

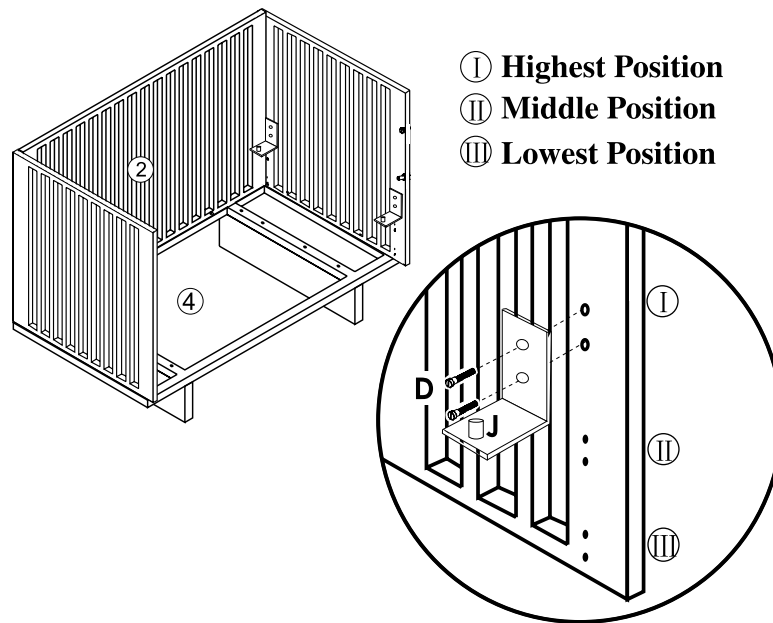
Screw in two of the **A** screws in the pre-drilled screw holes on the underside of the platform with the **K** wrench, locking the side into place.



Step 7. Repeat the process for the left hand side **1B** of the crib end slat.

Do not insert the **A** screws into the underside of the platform at this time.

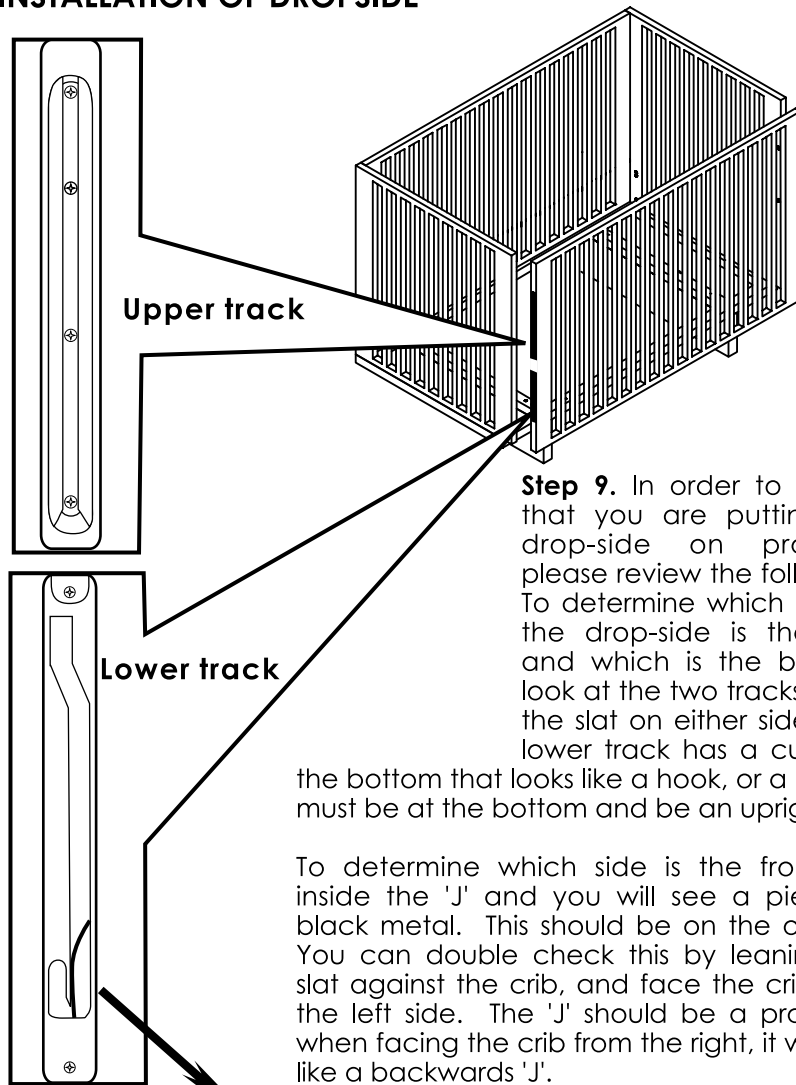
Platform Crib Assembly Instructions



Step 8. Determine if you want the mattress board at the highest level ①, or at the middle ② or the lowest ③. Then insert ② of screw **D** into bracket **J**, through the corresponding holes as drawing illustrates. Then tighten with **K** wrench. Repeat this 4 times using all 4 **J** brackets, 2 on each crib end slat.

Platform Crib Assembly Instructions

INSTALLATION OF DROPSIDE



Step 9. In order to ensure that you are putting the drop-side on properly, please review the following: To determine which side of the drop-side is the top, and which is the bottom, look at the two tracks inside the slat on either side. The lower track has a curve at

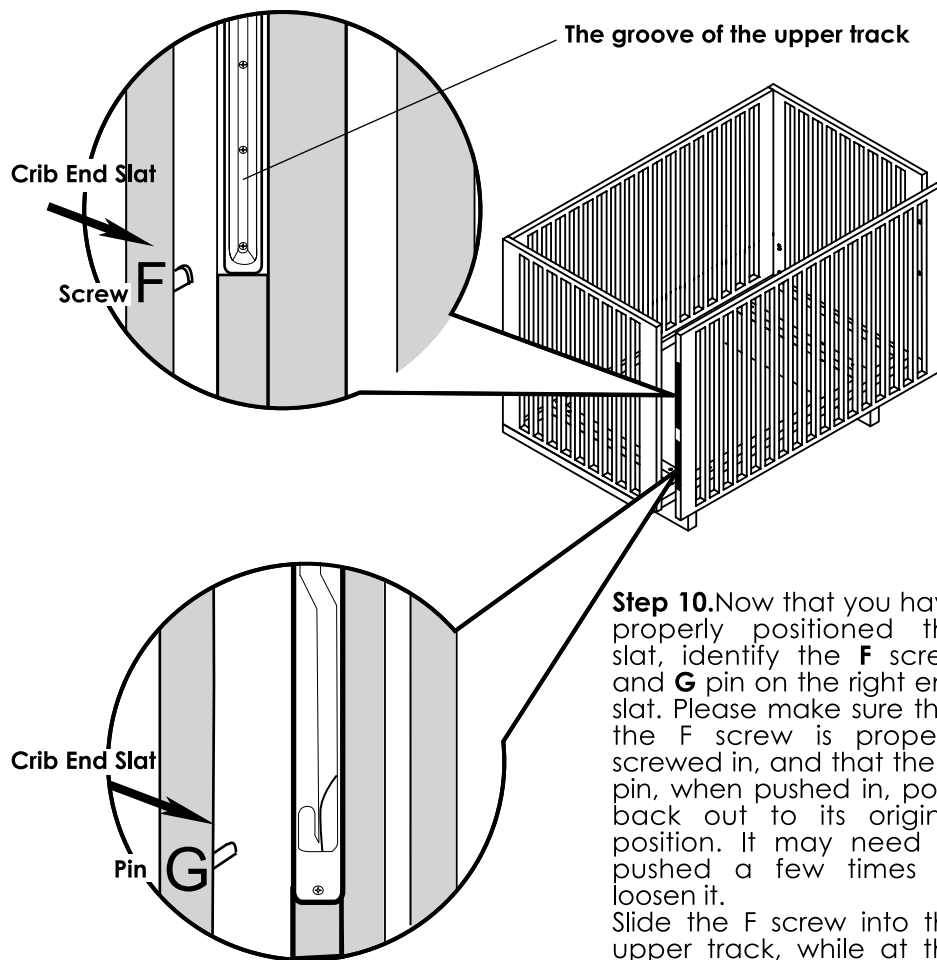
the bottom that looks like a hook, or a 'J'. This must be at the bottom and be an upright 'J'.

To determine which side is the front, look inside the 'J' and you will see a piece of black metal. This should be on the outside. You can double check this by leaning the slat against the crib, and face the crib from the left side. The 'J' should be a proper 'J' when facing the crib from the right, it will look like a backwards 'J'.

When installing the dropside, please make sure the metal lever is on the outside

Platform Crib Assembly Instructions

INSTALLATION OF DROPSIDE



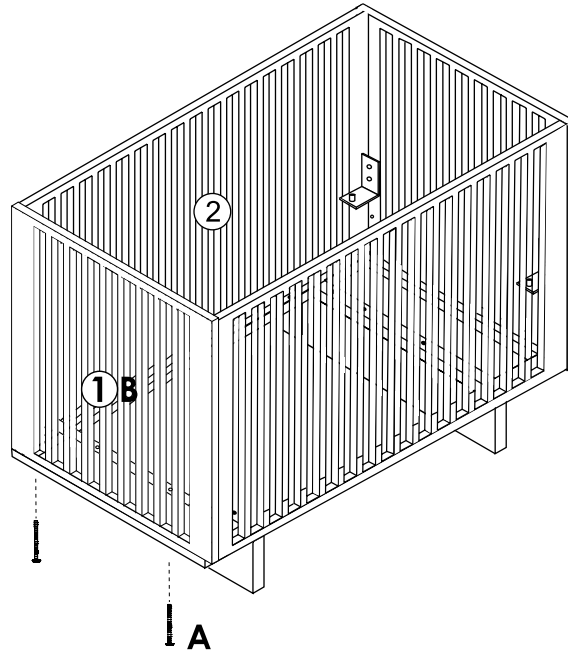
Step 10. Now that you have properly positioned the slat, identify the **F** screw and **G** pin on the right end slat. Please make sure that the **F** screw is properly screwed in, and that the **G** pin, when pushed in, pops back out to its original position. It may need to be pushed a few times to loosen it.

Slide the **F** screw into the upper track, while at the same time, inserting the **G** pin into the "J" on the bottom track. It should

lock into place at the tip of the hook of the "J", or curved part of the "J."

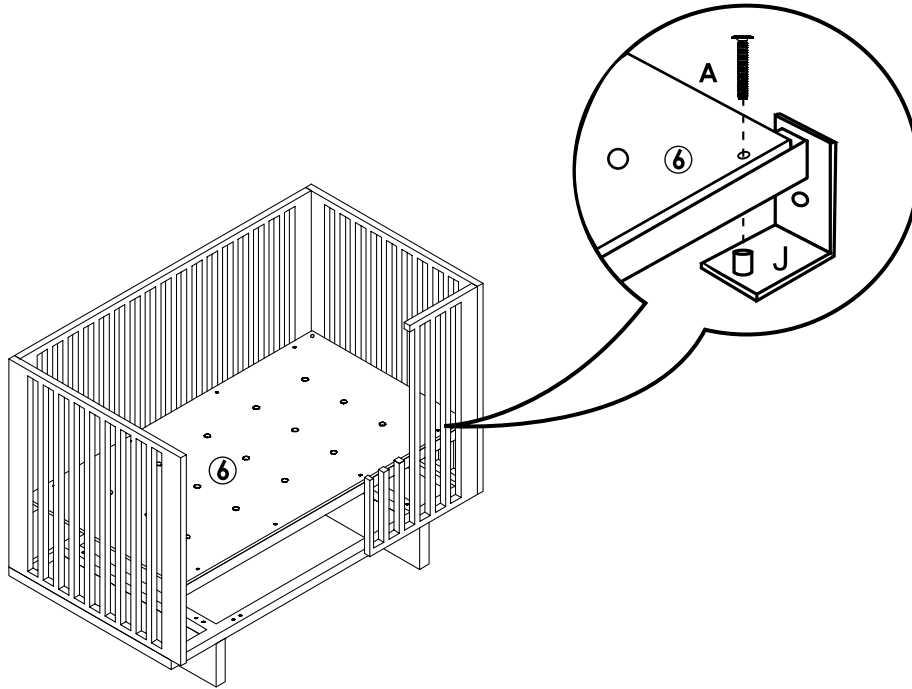
Step 11. Moving to the left side, push the end slat out slightly so there is room to install the drop-side. Repeat **Step 10**.

Platform Crib Assembly Instructions



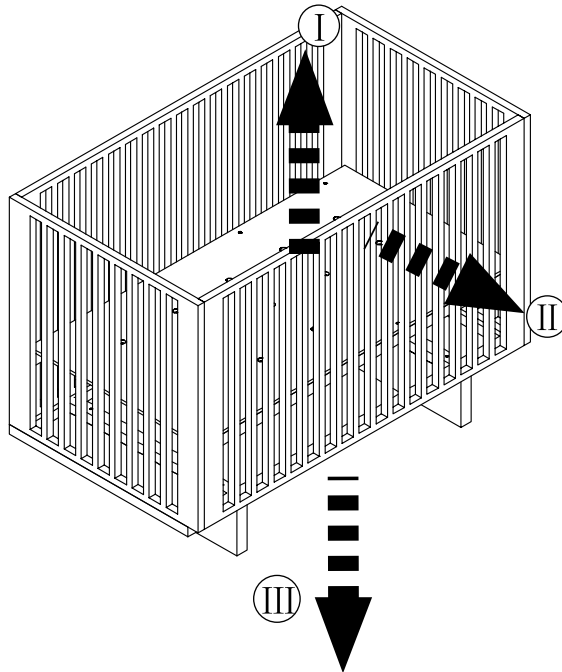
Step 12. Now that the dropside is in place, screw in the two **A** screws in the underside of the platform base with the **K** wrench as the picture illustrates to firmly lock the left end slat into place.

Platform Crib Assembly Instructions



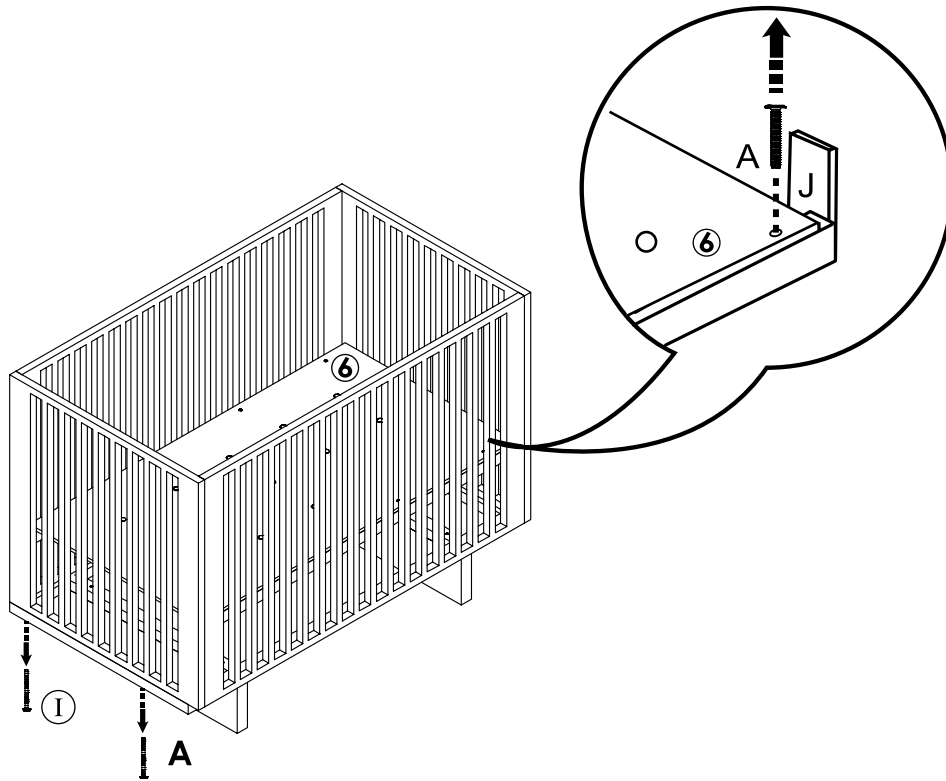
Step 13. Identify the mattress board ⑥. Take the mattress board and place on top of **J** bracket, matching up the pre-drilled screw holes. Insert screw **A** into the hole, connecting the **J** bracket and tighten **A** screws with **K** wrench. This should be done on all 4 brackets.

Platform Crib Assembly Instructions



Step14. To raise and lower dropside, place hands evenly on either the 3rd or 4th slat from the end - so that your hands are evenly spaced. Push in the slat with your right side of your right lower leg. This will allow you to raise the dropside up, pull it towards you, and then lower. To bring dropside up do the reverse motion.

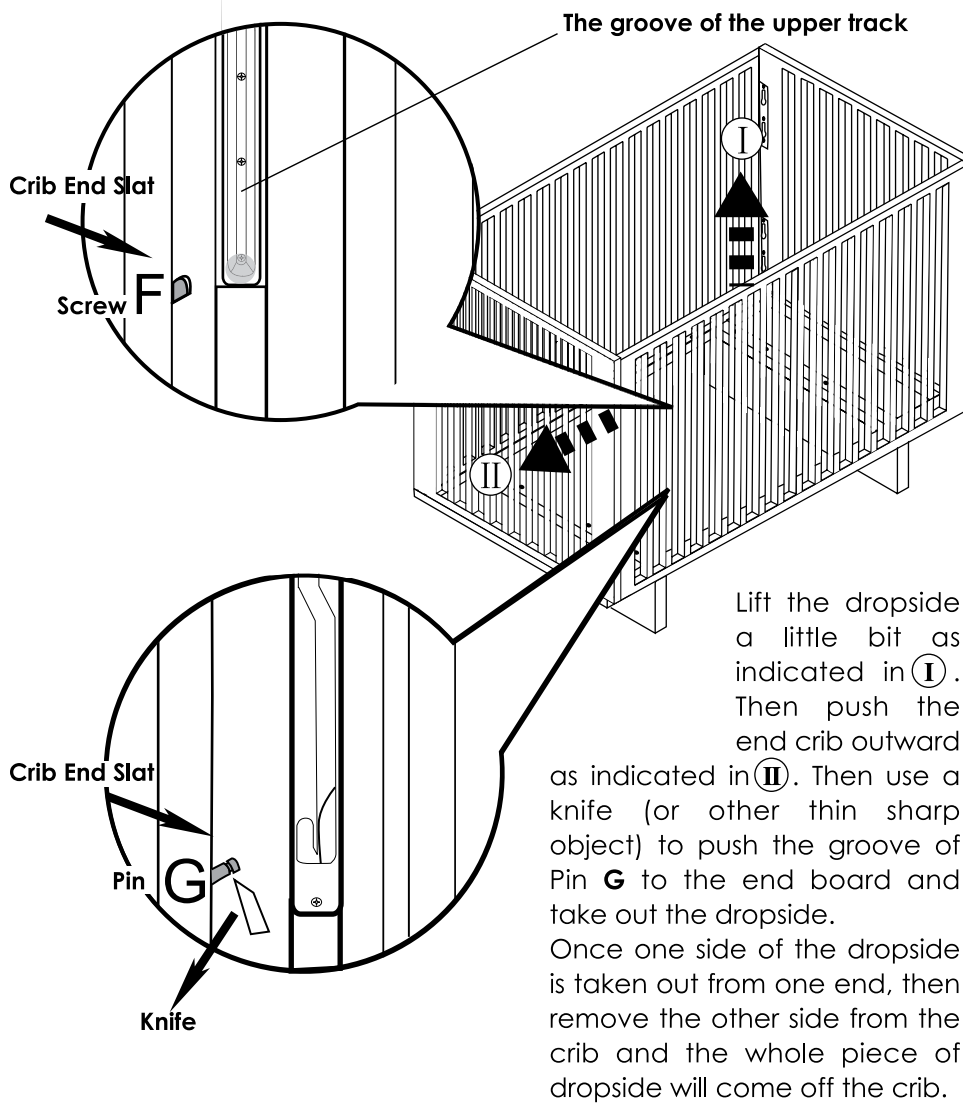
Platform Crib Assembly Instructions



To remove the dropside, first of all, lower it to the lowest position. Then unscrew the mattress board by removing screw **A** from all the **6** corners and then take out the mattress board.. Then unscrew the two screws **A** as indicated in **I**.

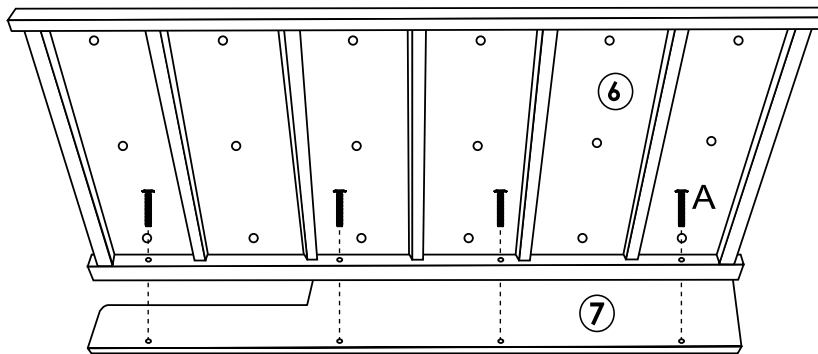
Platform Crib Assembly Instructions

Installation of Conversion Kit



Platform Crib Assembly Instructions

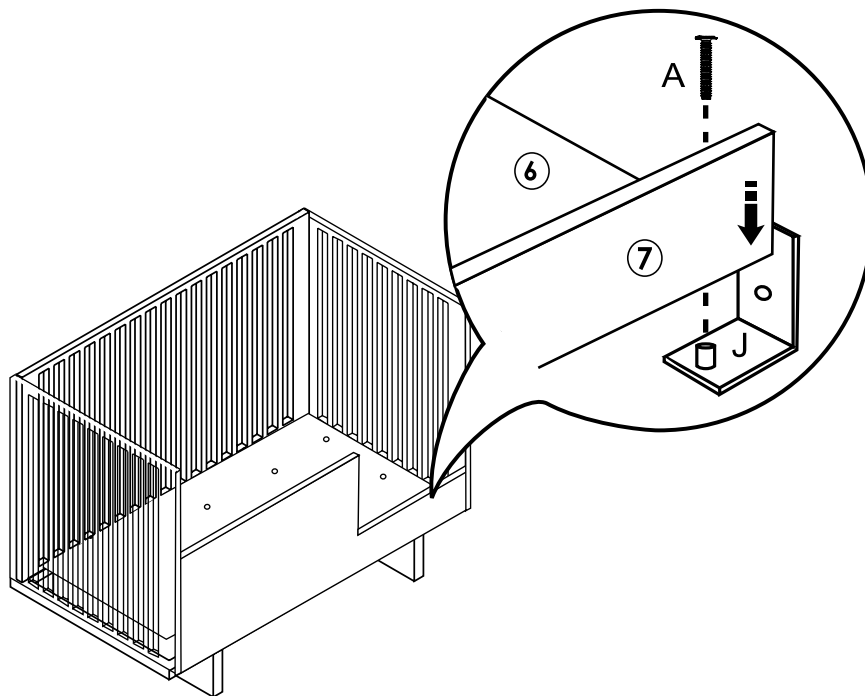
Installation of Conversion Kit



Insert screw **A** from the inside of the stabilizer bar of the mattress board (6) to connect the conversion kit (7).

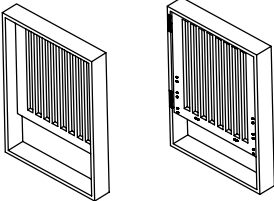
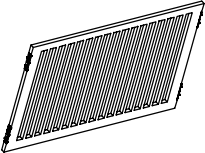
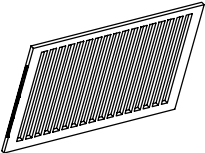
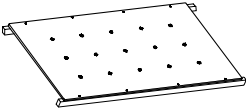
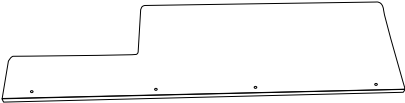
Platform Crib Assembly Instructions

Installation of Conversion Kit

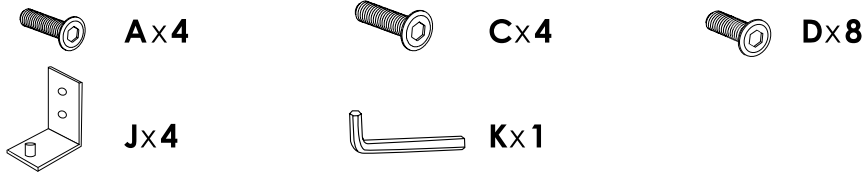


Then place the mattress board (6) with the conversion kit (7) on top of J bracket, matching up the pre-drilled screw holes. Insert screw A into the hole, connecting the J bracket and tighten A screws with K wrench. This should be done on all 4 brackets.

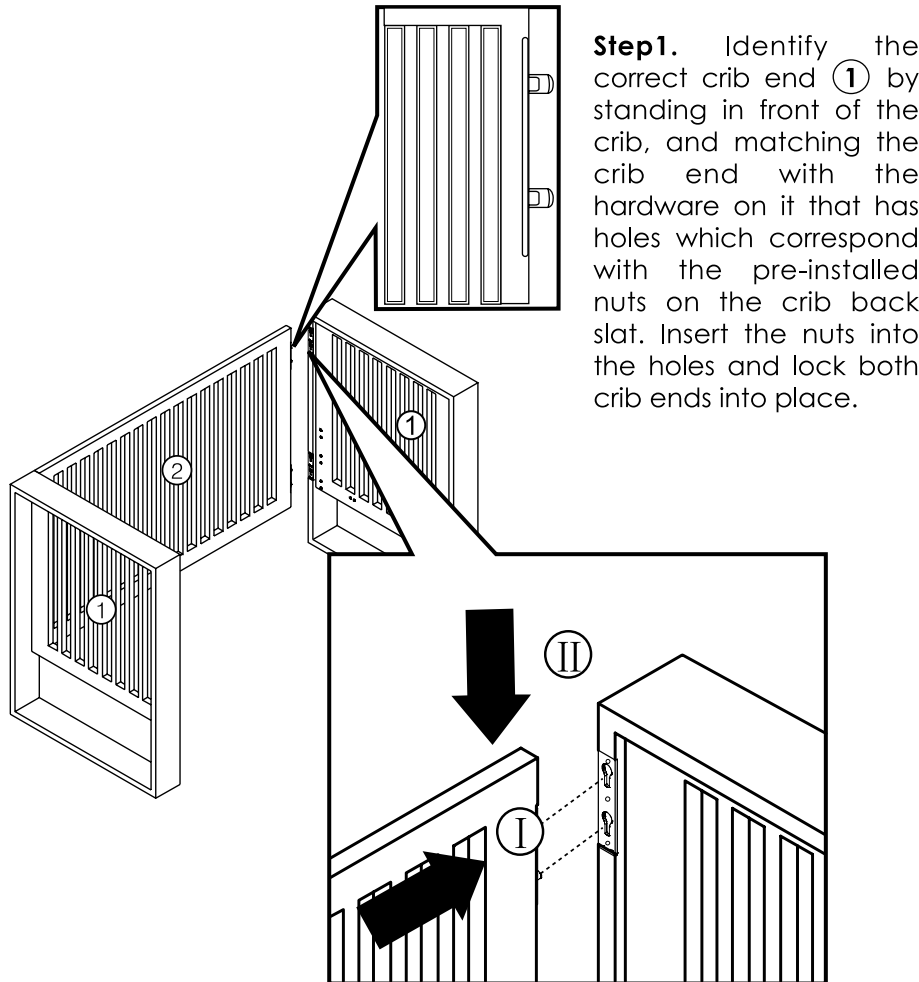
Aerial Crib List of Parts

Hardware	Ref.No	Description
	①	Crib Ends
	②	Crib Back Slat
	③	Crib Dropside
	④	Mattress Board with Stabilizer Bars
	⑤	Conversion Kit

Aerial Crib Assembly Instructions

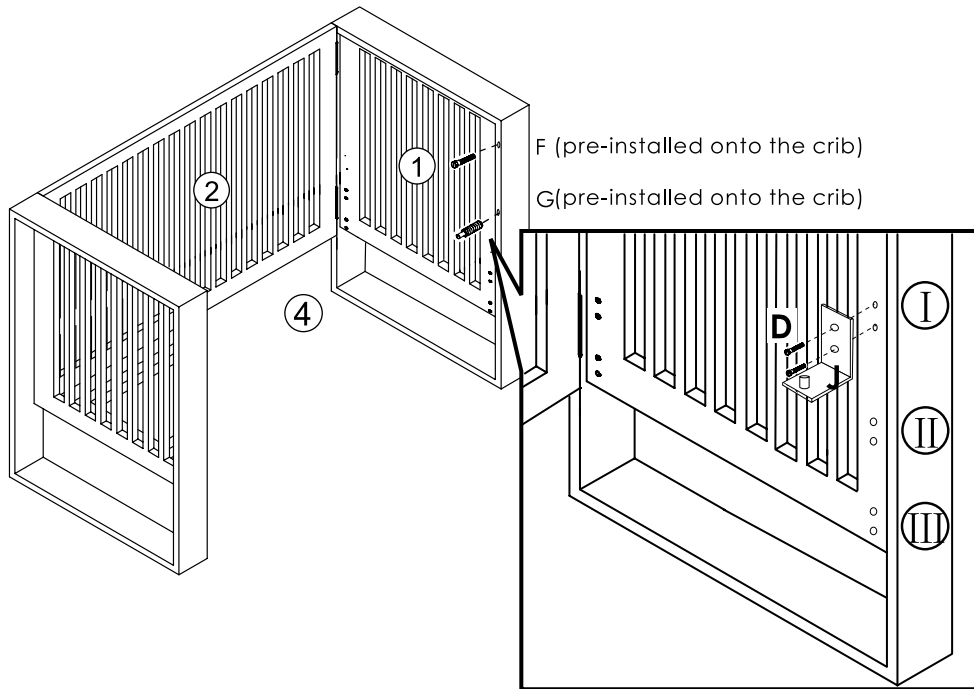


SETTING UP BACK AND SIDES OF THE CRIB RAILS



Aerial Crib Assembly Instructions

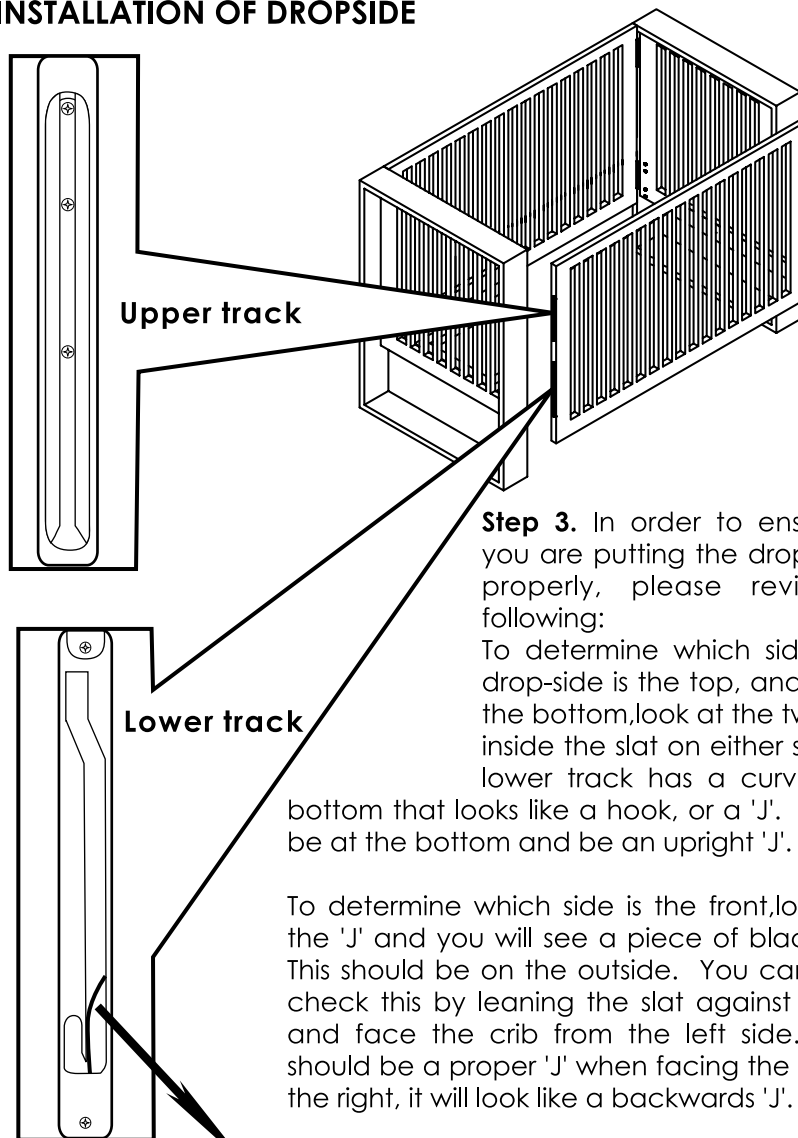
Step 2. Identify the remaining 4 **J** brackets. Determine if you want the mattress board at the highest level **I**, or at the middle **II** or the lowest **III**. Then insert 2 of screw **D** into bracket **J**, through the corresponding holes as drawing illustrates. Then tighten with **K** wrench.



- I Highest Position**
- II Middle Position**
- III Lowest Position**

Aerial Crib Assembly Instructions

INSTALLATION OF DROPSIDE



Step 3. In order to ensure that you are putting the drop-side on properly, please review the following:

To determine which side of the drop-side is the top, and which is the bottom, look at the two tracks inside the slat on either side. The lower track has a curve at the

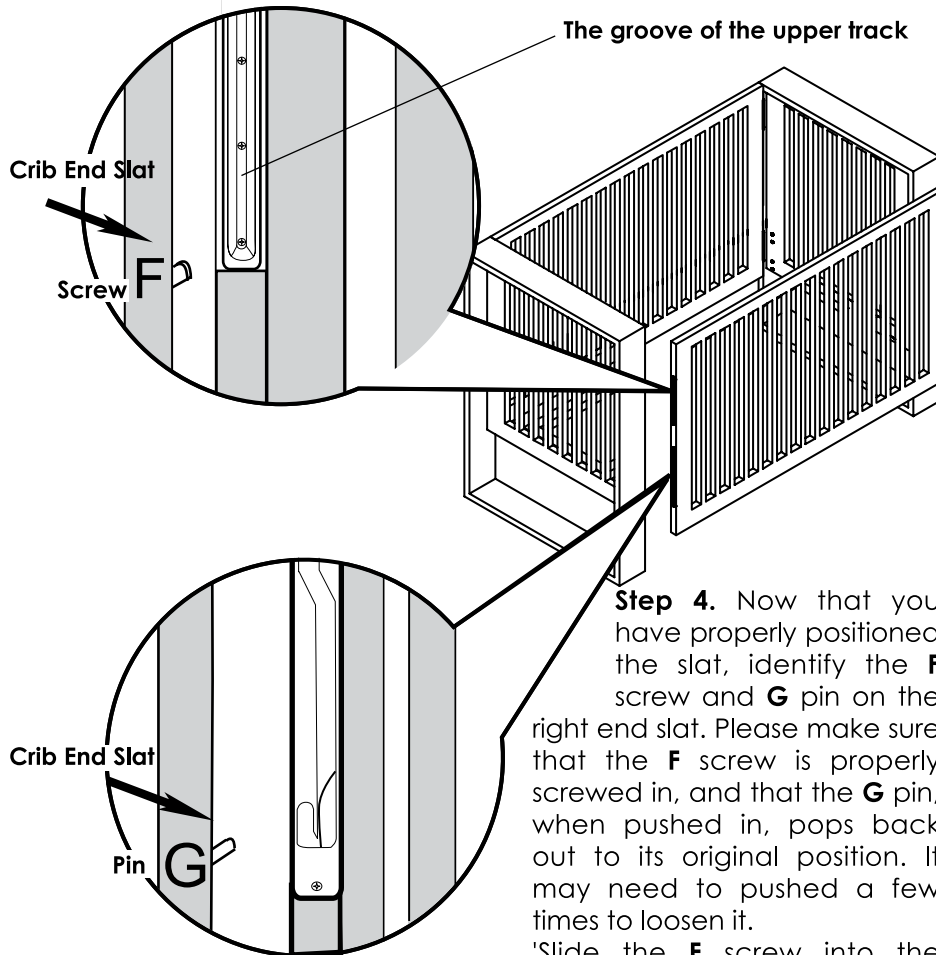
bottom that looks like a hook, or a 'J'. This must be at the bottom and be an upright 'J'.

To determine which side is the front, look inside the 'J' and you will see a piece of black metal. This should be on the outside. You can double check this by leaning the slat against the crib, and face the crib from the left side. The 'J' should be a proper 'J' when facing the crib from the right, it will look like a backwards 'J'.

When installing the dropside, please make sure the metal lever is on the outside

Aerial Crib Assembly Instructions

INSTALLATION OF DROPSIDE

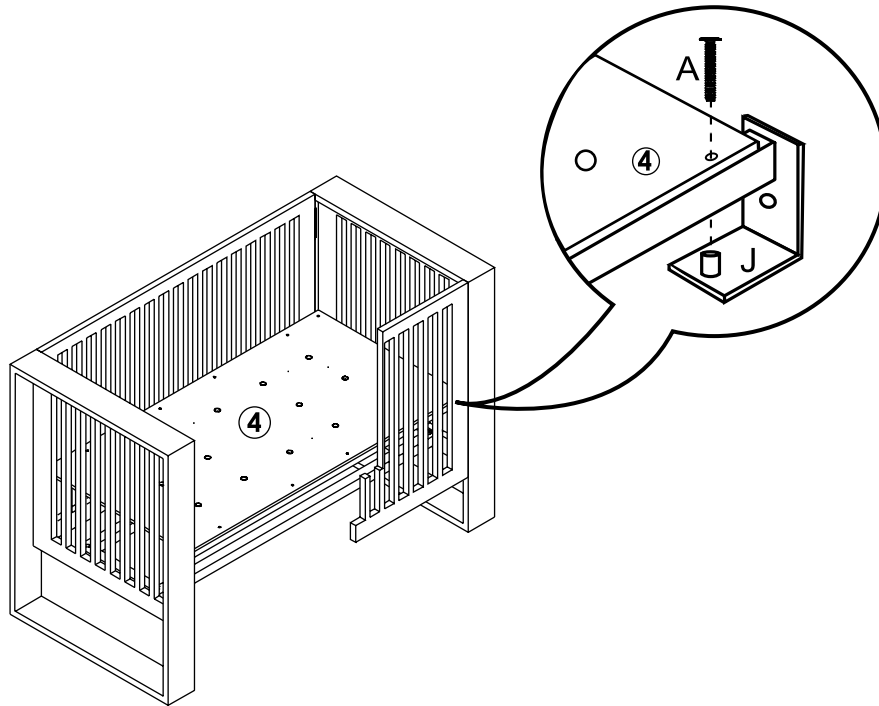


Step 4. Now that you have properly positioned the slat, identify the **F** screw and **G** pin on the right end slat. Please make sure that the **F** screw is properly screwed in, and that the **G** pin, when pushed in, pops back out to its original position. It may need to be pushed a few times to loosen it.

'Slide the **F** screw into the upper track, while at the same time, inserting the **G** pin into the "J" on the bottom track. It should lock into place at the tip of the hook of the "J", or curved part of the "J."

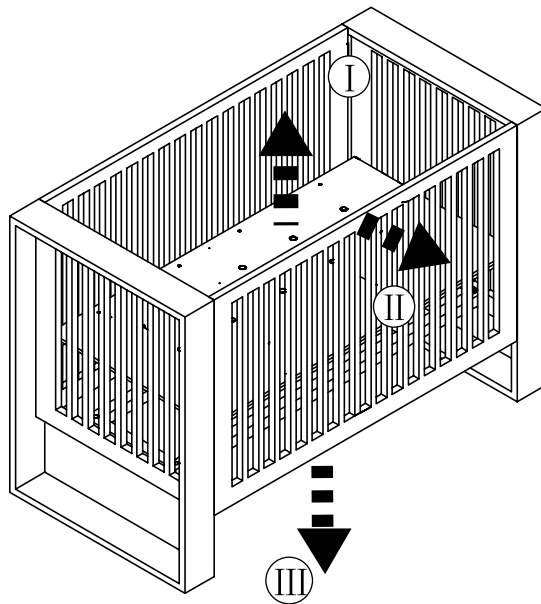
Step 5. Moving to the left side, push the end slat out slightly so there is room to install the drop-side. Repeat **Step 4**.

Aerial Crib Assembly Instructions



Step 6. Identify the mattress board (4). Take the mattress board and place on top of J bracket, matching up the pre-drilled screw holes. Insert screw A into the hole, connecting the J bracket and tighten A screws with K wrench. This should be done on all 4 brackets.

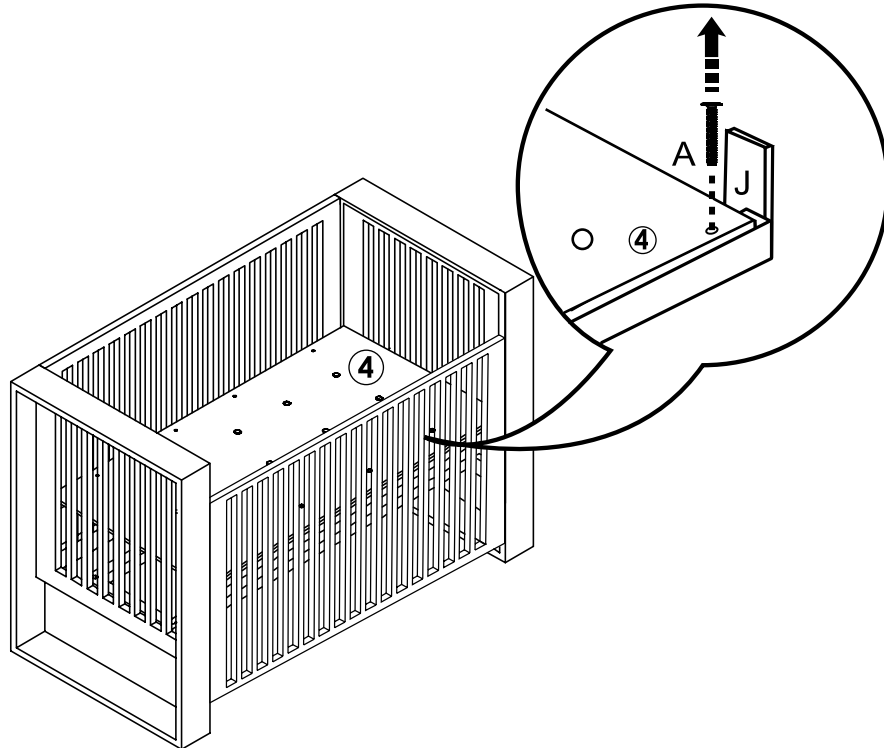
Aerial Crib Assembly Instructions



Step 7. To raise and lower dropside, place hands evenly on either the 3rd or 4th slat from the end - so that your hands are evenly spaced. Push in the slat with your right side of your right lower leg. This will allow you to raise the dropside up, pull it towards you, and then lower. To bring dropside up do the reverse motion.

Aerial Crib Assembly Instructions

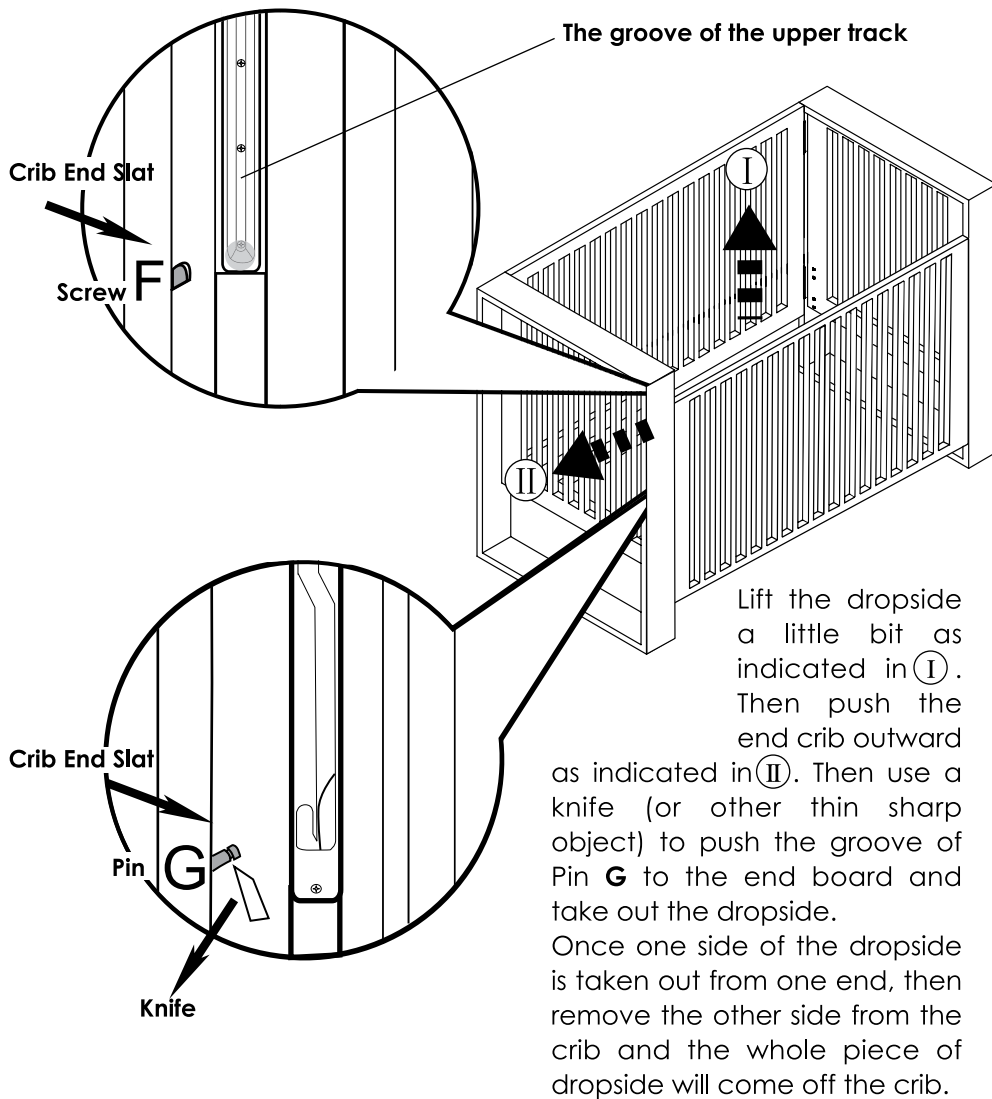
Installation of Conversion Kit



To remove the dropside, first of all, lower it to the lowest position. Then unscrew the mattress board by removing screw **A** from all the **4** corners and then take out the mattress board..

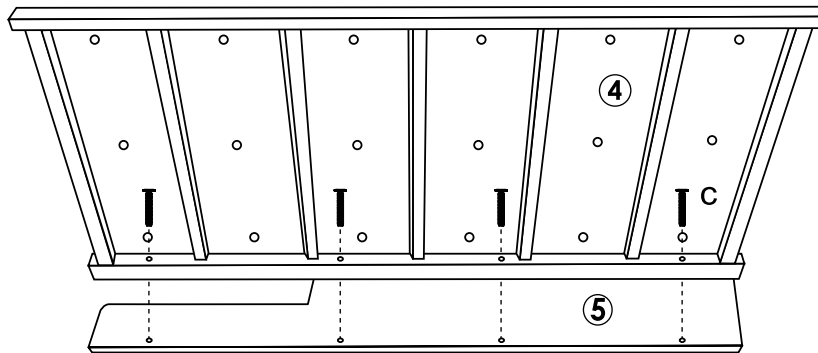
Aerial Crib Assembly Instructions

Installation of Conversion Kit



Aerial Crib Assembly Instructions

Installation of Conversion Kit



Insert screw **C** from the inside of the stabilizer bar of the mattress board **4** to connect the conversion kit **5**.

