



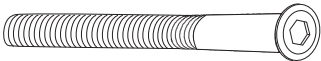




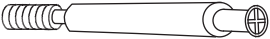
### **Assembly Instructions**

This booklet contains instructions for all Nurseryworks products. Please locate the appropriate instructions for the product that you have ordered. Each page contains a diagram of hardware with instructions. Please note that the hardware is labeled with A letter and number: The letter is the type of hardware, (AX) and the number is the amount of pieces that are needed to put together the item (AX4).

### **Congratulations!**

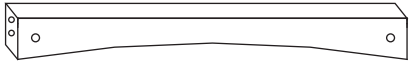

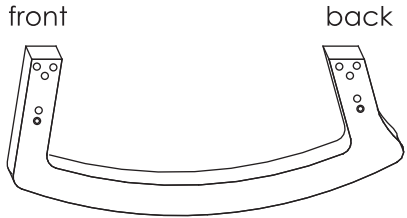
You are now the owner of a Nurseryworks product...a line of modern baby furniture that redefines the nursery. Nurseryworks' products are designed with both style and functionality in mind, and we hope it becomes a source of pleasure for you and your family. Quality material, workmanship and pride have gone into these products. Proper assembly is important to ensure a safe and comfortable end result for your baby. Please read all instructions before assembly, and keep instructions for future use.

## Mini Sleepytime Rocker Hardware and Tools List

Hardware & Tools	Ref.No	Description
	<b>Ax4</b>	<b>Screw</b>
	<b>Bx4</b>	<b>Dowel</b>
	<b>Cx4</b>	<b>Washer</b>
	<b>Dx4</b>	<b>Spring Washer</b>
	<b>Ex8</b>	<b>Screw</b>
	<b>Fx4</b>	<b>Cam-Lock #1</b>
	<b>Gx4</b>	<b>Cam-Lock#2</b>
	<b>Hx1</b>	<b>Wrench</b>

Please note that screw E requires a Phillips Head Screw driver which is not provided.

## Mini Sleepytime Rocker Parts List

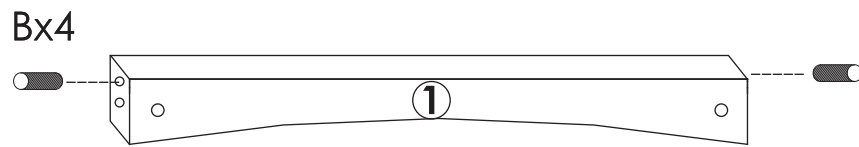
Parts	Ref.No	Description
	① x 1	Front Leg Cross Bar
	② x 1	Rear Leg Cross Bar
	③ x 2	Leg

# Mini Sleepytime Rocker Assembly Instructions

---

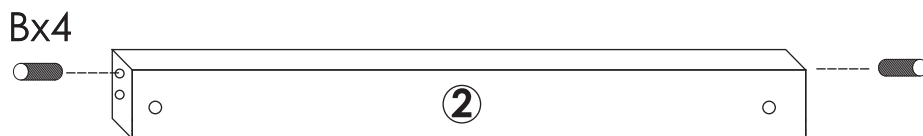
## Step 1

Insert two dowels **B** into the pre-drilled holes of the front leg cross bar **1**.



## Step 2

Insert two dowels **B** into the pre-drilled holes of the rear leg cross bar **2**.



# Mini Sleepytime Rocker Assembly Instructions

---

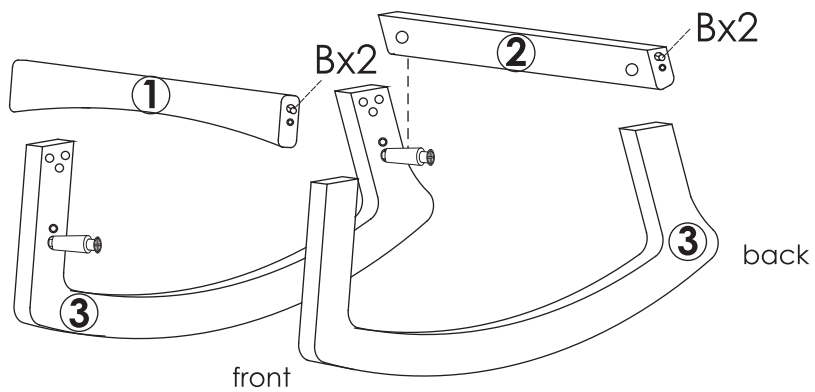
## Step 3

Insert the Cam Lock hardware #2 **G** into the middle holes of the leg.  
Repeat the same procedure for the other leg.



## Step 4

Connect the Front leg cross bar **1** and Rear leg cross bar **2** with the 2 legs by inserting the dowels of the cross bars into the pre-drilled holes of the 2 legs.

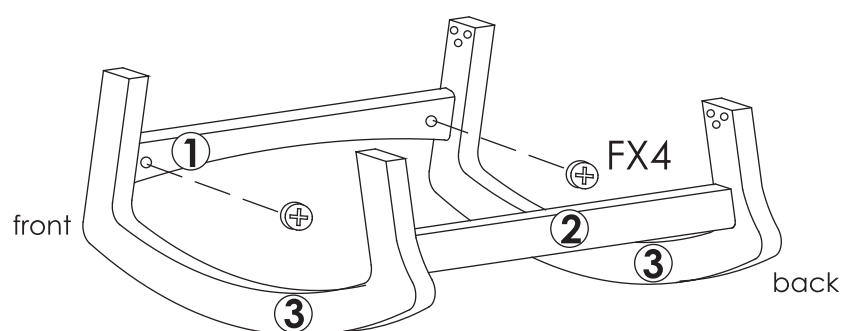


## Mini Sleepytime Rocker Assembly Instructions

---

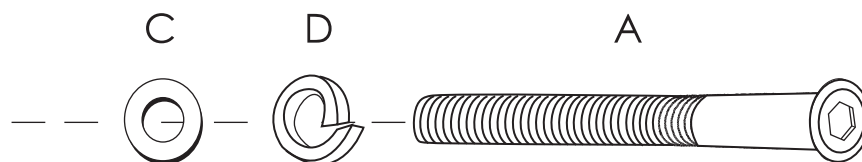
### Step 5

Insert Cam-Lock #1F into the pre-drilled holes as indicated. Then use a screw driver and turn the cam lock #1F 90 degrees clock wise.



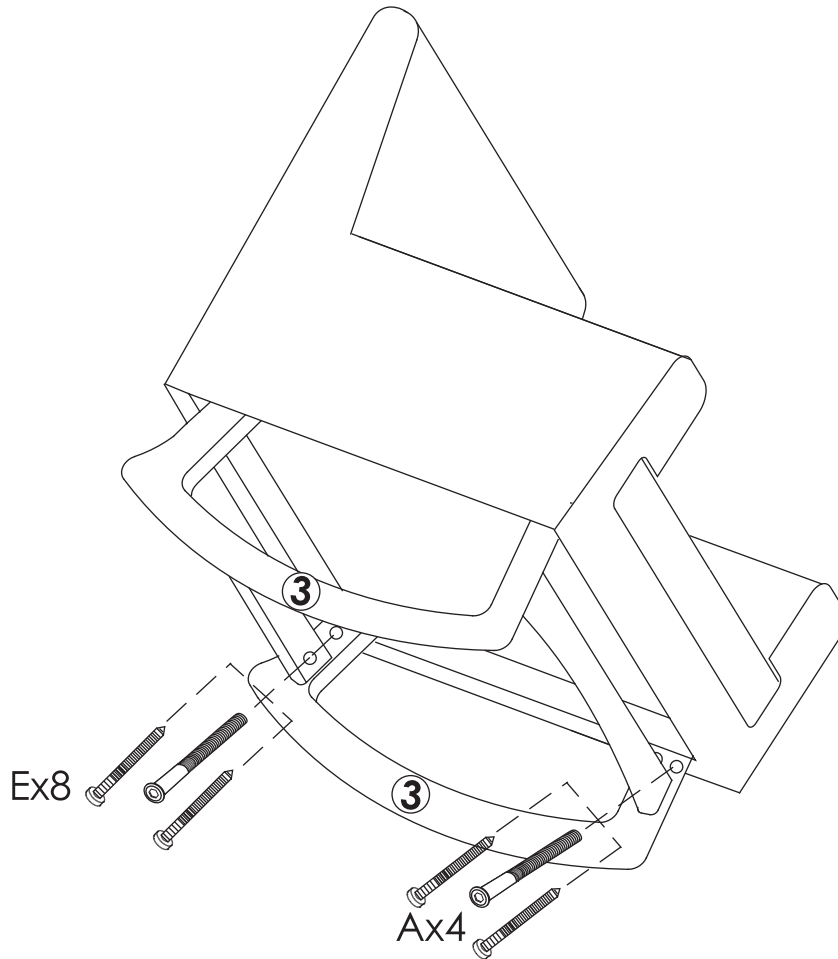
### Step 6

Put the Spring washer D onto Screw A and then follow with washer C. Repeat the same procedure for all 4 Screws A.



## Mini Sleepytime Rocker Assembly Instructions

---

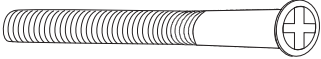



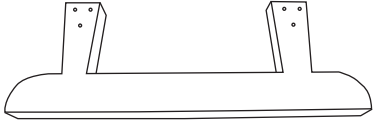


### Step 7

Connect the legs ③ to the wooden frame of the rocker by inserting screws **A** into the pre-inserted nuts of the wooden frame and screw them tightly using the wrench. Repeat the same procedure for 4 corners. Then insert 2 Screws **E** into the pre-drilled holes of the leg and screw it into the wooden frame tightly using a screw driver.

---

## Mini Perch Hardware and Part List

Hardware & Tools	Ref.No	Description
	<b>Ax4</b>	<b>Screw</b>
	<b>Bx8</b>	<b>Screw</b>
	<b>Cx4</b>	<b>Washer</b>
	<b>Dx4</b>	<b>Spring Washer</b>
	<b>①x2</b>	<b>Leg</b>

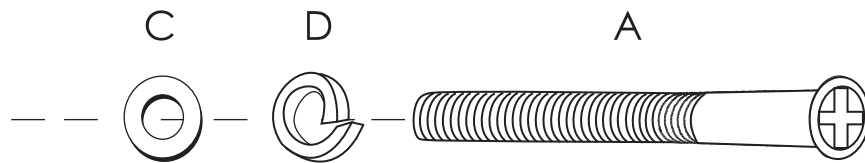
Please note that screw E requires a Phillips Head Screw driver which is not provided.

# Mini Perch Assembly Instructions

---

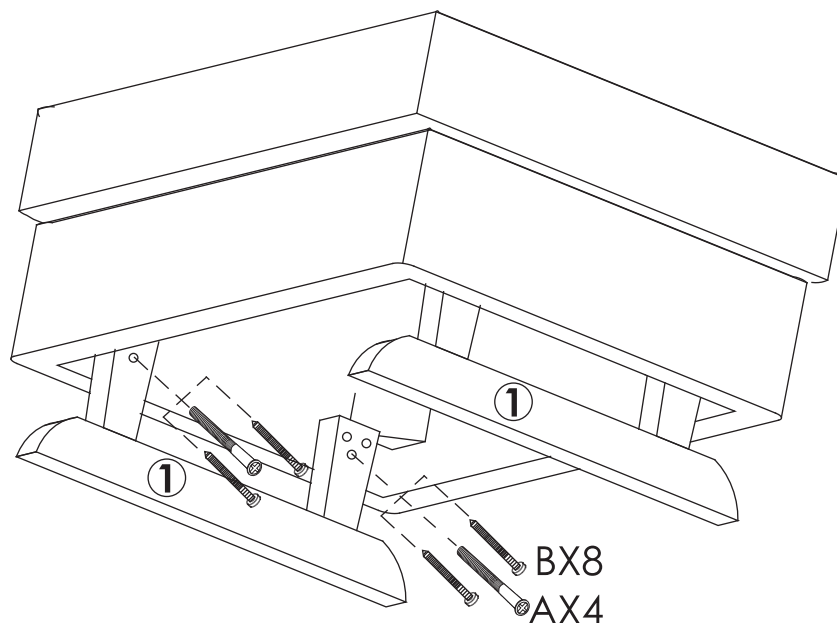
## Step 1

Put the Spring washer **D** onto Screw **A** and then follow with washer **C**. Repeat the same procedure for all 4 Screws **A**.



## Step 2

Connect the legs **1** to the wooden frame of the Perch by inserting screws **A** into the pre-inserted nuts of the wooden frame and screw them tightly using the wrench. Repeat the same procedure for 4 corners. Then insert 2 Screws **B** into the pre-drilled holes of the leg and screw them into the wooden frame tightly using a screw driver.





Furniture and bedding that redefine the nursery  
[www.nurseryworks.net](http://www.nurseryworks.net)



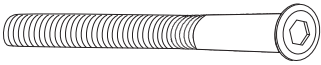
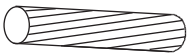




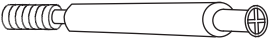
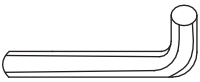
### **Assembly Instructions**

This booklet contains instructions for all Nurseryworks products. Please locate the appropriate instructions for the product that you have ordered. Each page contains a diagram of hardware with instructions. Please note that the hardware is labeled with a letter and number: The letter is the type of hardware, (AX) and the number is the amount of pieces that are needed to put together the item (AX4).

### **Congratulations!**

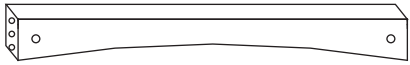


You are now the owner of a Nurseryworks product...a line of modern baby furniture that redefines the nursery. Nurseryworks' products are designed with both style and functionality in mind, and we hope it becomes a source of pleasure for you and your family. Quality material, workmanship and pride have gone into these products. Proper assembly is important to ensure a safe and comfortable end result for your baby. Please read all instructions before assembly, and keep instructions for future use.

## Sleepytime Rocker Hardware and Tools List

Hardware & Tools	Ref.No	Description
	<b>Ax4</b>	<b>Screw</b>
	<b>Bx8</b>	<b>Dowel</b>
	<b>Cx4</b>	<b>Washer</b>
	<b>Dx4</b>	<b>Spring Washer</b>
	<b>Ex8</b>	<b>Screw</b>
	<b>Fx4</b>	<b>Cam-Lock #1</b>
	<b>Gx4</b>	<b>Cam-Lock#2</b>
	<b>Hx1</b>	<b>Wrench</b>

Please note that screw E requires a Phillips Head Screw driver which is not provided.

## Sleepytime Rocker Parts List

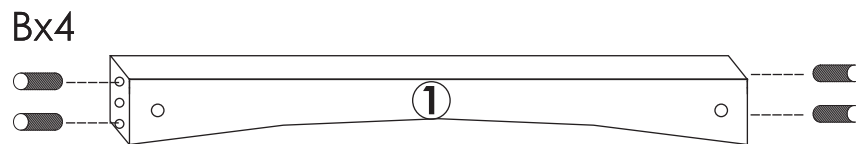
Parts	Ref.No	Description
	① x 1	Front Leg Cross Bar
	② x 1	Rear Leg Cross Bar
	③ x 2	Leg

# Sleepytime Rocker Assembly Instructions

---

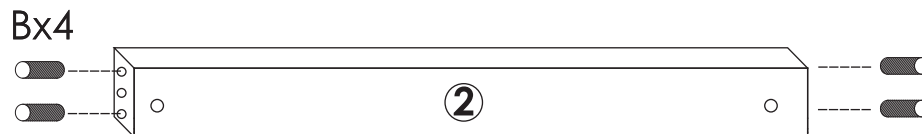
## Step 1

Insert four dowels **B** into the pre-drilled holes of the front leg cross bar **1**.



## Step 2

Insert four dowels **B** into the pre-drilled holes of the rear leg cross bar **2**.



# Sleepytime Rocker Assembly Instructions

---

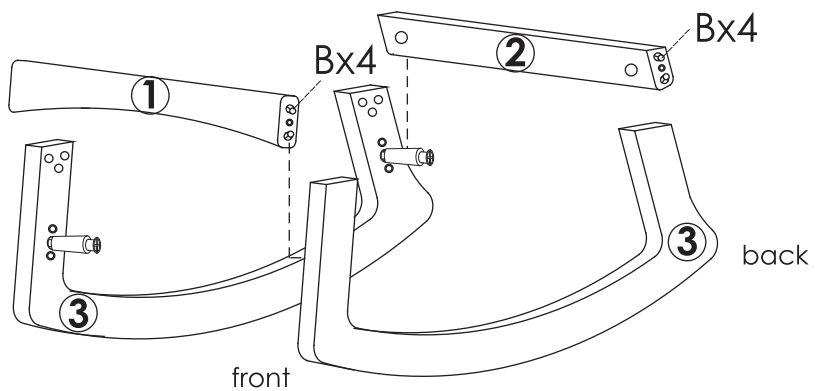
## Step 3

Insert the Cam Lock hardware #2 **G** into the middle holes of the leg. Repeat the same procedure for the other leg.



## Step 4

Connect the Front leg cross bar **1** and Rear leg cross bar **2** with the 2 legs by inserting the dowels of the cross bars into the pre-drilled holes of the 2 legs.

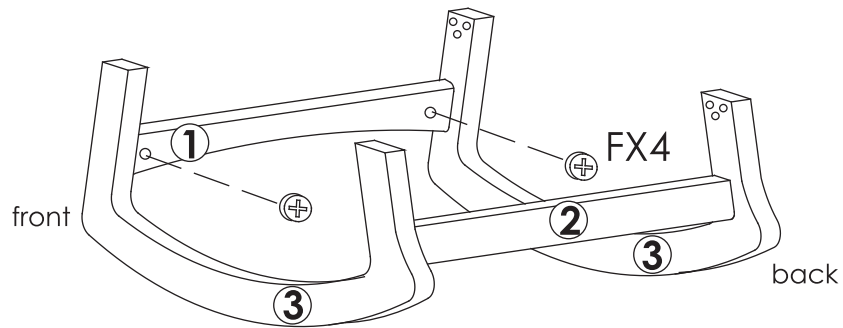


# Sleepytime Rocker Assembly Instructions

---

## Step 5

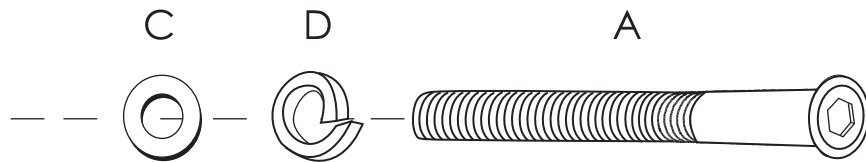
Insert Cam-Lock #1F into the pre-drilled holes as indicated. Then use a screw driver and turn the cam lock #1F 90 degrees clock wise.



---

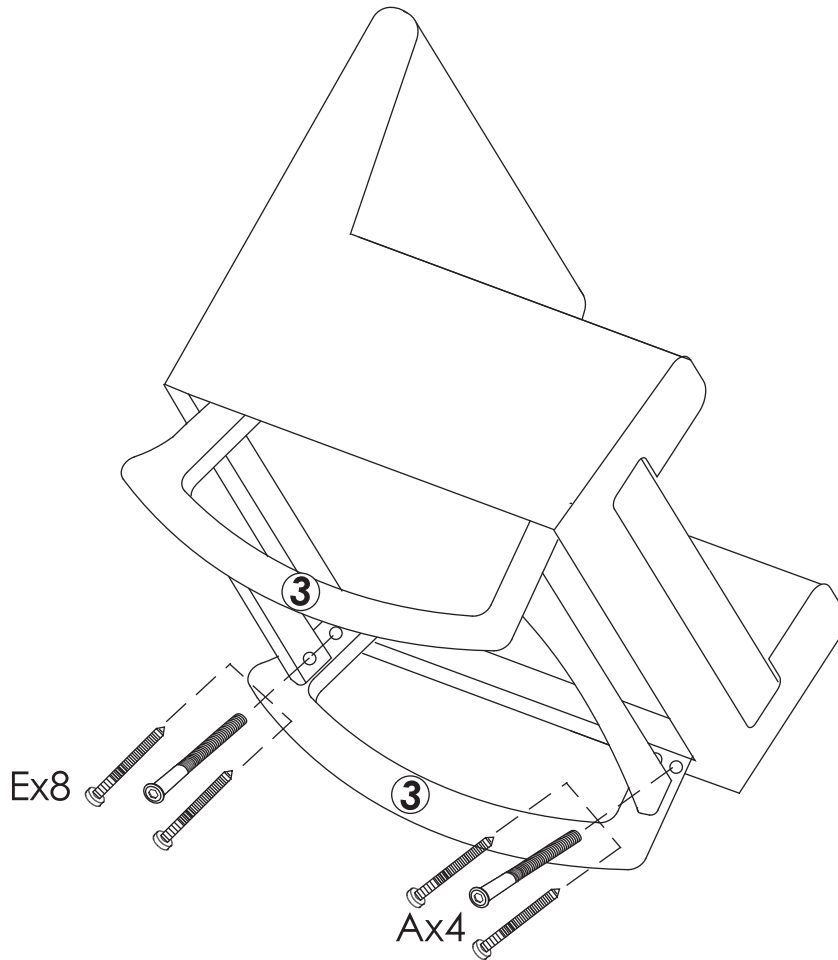
## Step 6

Put the Spring washer **D** into Screw **A** and then followed by washer **C**. Repeat the same procedures for all 4 Screws **A**.



## Sleepytime Rocker Assembly Instructions

---



### Step 7

Connect the legs ③ to the wooden frame of the rocker by inserting screws **A** into the pre-inserted nuts of the wooden frame and screw them tightly using the wrench. Repeat the same procedures for 4 corners. Then insert 2 Screws **E** into the pre-drilled holes of the leg and screw it into the wooden frame tightly using a screw driver.

---



**nurseryworks**

Furniture and bedding toat redefine the nursery  
[www.nurseryworks.net](http://www.nurseryworks.net)



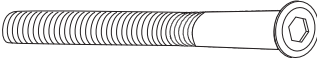




### **Assembly Instructions**

This booklet contains instructions for all Nurseryworks products. Please locate the appropriate instructions for the product that you have ordered. Each page contains a diagram of hardware with instructions. Please note that the hardware is labeled with a letter and number: The letter is the type of hardware, (AX) and the number is the amount of pieces that are needed to put together the item (AX4).

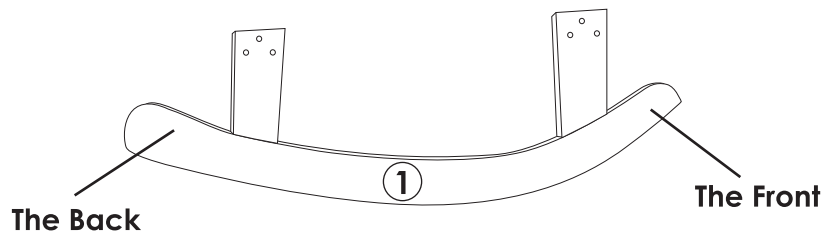
### **Congratulations!**

You are now the owner of a Nurseryworks product...a line of modern baby furniture that redefines the nursery. Nurseryworks' products are designed with both style and functionality in mind, and we hope it becomes a source of pleasure for you and your family. Quality material, workmanship and pride have gone into these products. Proper assembly is important to ensure a safe and comfortable end result for your baby. Please read all instructions before assembly, and keep instructions for future use.

## Rocking Chair Hardware and Tools List

Hardware & Tools	Ref.No	Description
	<b>Ax4</b>	<b>Screw</b>
	<b>Bx4</b>	<b>Washer</b>
	<b>Cx4</b>	<b>Spring Washer</b>
	<b>Dx8</b>	<b>Screw</b>
	<b>Ex1</b>	<b>Wrench</b>

## Parts List



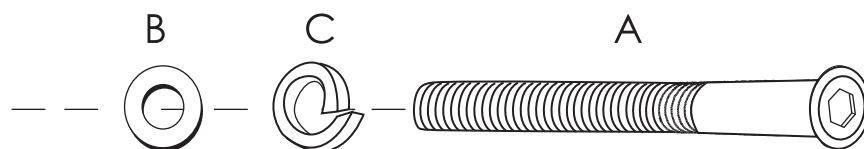
Please note that screw D requires a Phillips Head Screw driver which is not provided.

# Rocking Chair Assembly Instructions

---

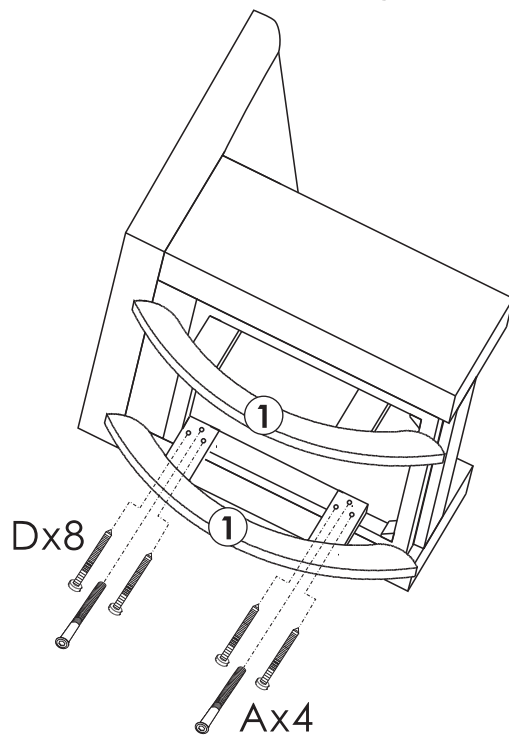
## Step 1

Place the spring washer **C** onto screw **A**, and then add washer **B** as picture below shows. Repeat process for all **A** screws.



## Step 2

Connect the legs to the wooden frame of the rocker by inserting the **A** screws into the pre-installed nut of the wooden frame and screw them tightly using the wrench. Repeat the process for all four corners. Then insert the 2 **D** Screws into the pre-drilled holes of the leg and screw it into the wooden frame tightly using a screw driver.





Furniture and bedding that redefine the nursery  
[www.nurseryworks.net](http://www.nurseryworks.net)