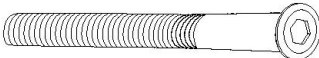





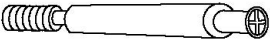

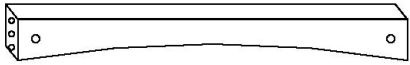
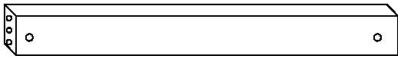
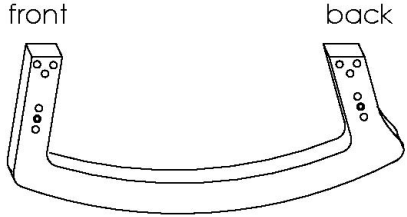


## Rocking Chair Hardware and Tools List

Hardware & Tools	Ref.No	Description
	<b>Ax4</b>	<b>Screw</b>
	<b>Bx8</b>	<b>Dowel</b>
	<b>Cx4</b>	<b>Washer</b>
	<b>Dx4</b>	<b>Spring Washer</b>
	<b>Ex8</b>	<b>Screw</b>
	<b>Fx4</b>	<b>Cam-Lock #1</b>
	<b>Gx4</b>	<b>Cam-Lock#2</b>
	<b>Hx1</b>	<b>Wrench</b>

Please note that screw E requires a Phillips Head Screw driver which is not provided.

## Rocking Chair Parts List

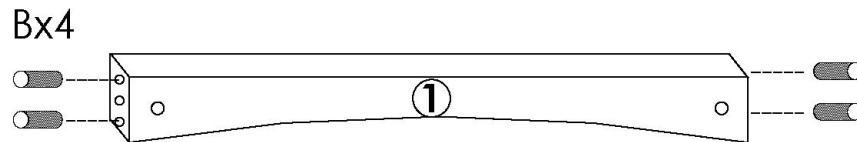
Parts	Ref.No	Description
	①x1	Front Leg Cross Bar
	②x1	Rear Leg Cross Bar
 front back	③x2	Leg

# Rocking Chair Assembly Instructions

---

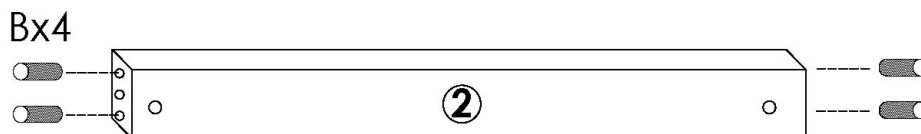
## Step 1

Insert four dowels **B** into the pre-drilled holes of the front leg cross bar **1**.



## Step 2

Insert four dowels **B** into the pre-drilled holes of the rear leg cross bar **2**.



# Rocking Chair Assembly Instructions

---

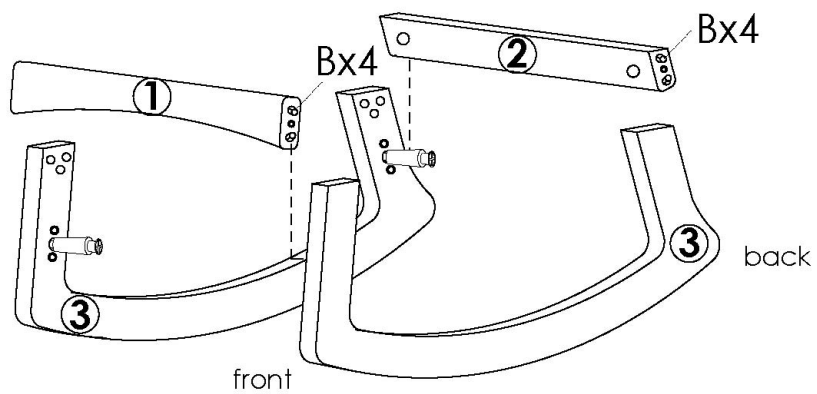
## Step 3

Insert the Cam Lock hardware #2 **G** into the middle holes of the leg. Repeat the same procedure for the other leg.



## Step 4

Connect the Front leg cross bar **1** and Rear leg cross bar **2** with the 2 legs by inserting the dowels of the cross bars into the pre-drilled holes of the 2 legs.

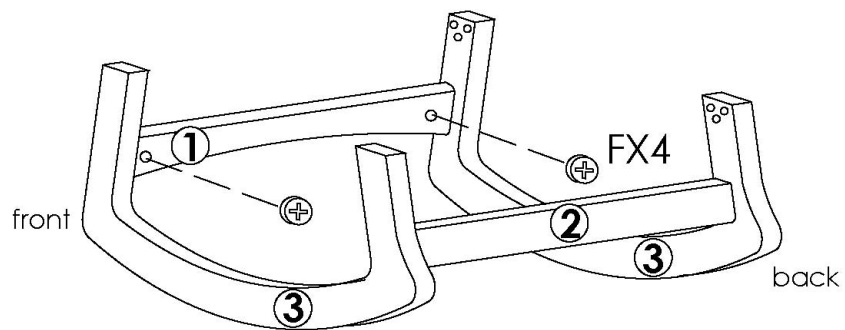


# Rocking Chair Assembly Instructions

---

## Step 5

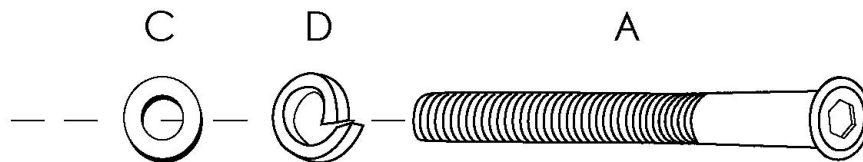
Insert Cam-Lock #1F into the pre-drilled holes as indicated. Then use a screw driver and turn the cam lock #1F 90 degrees clock wise.



---

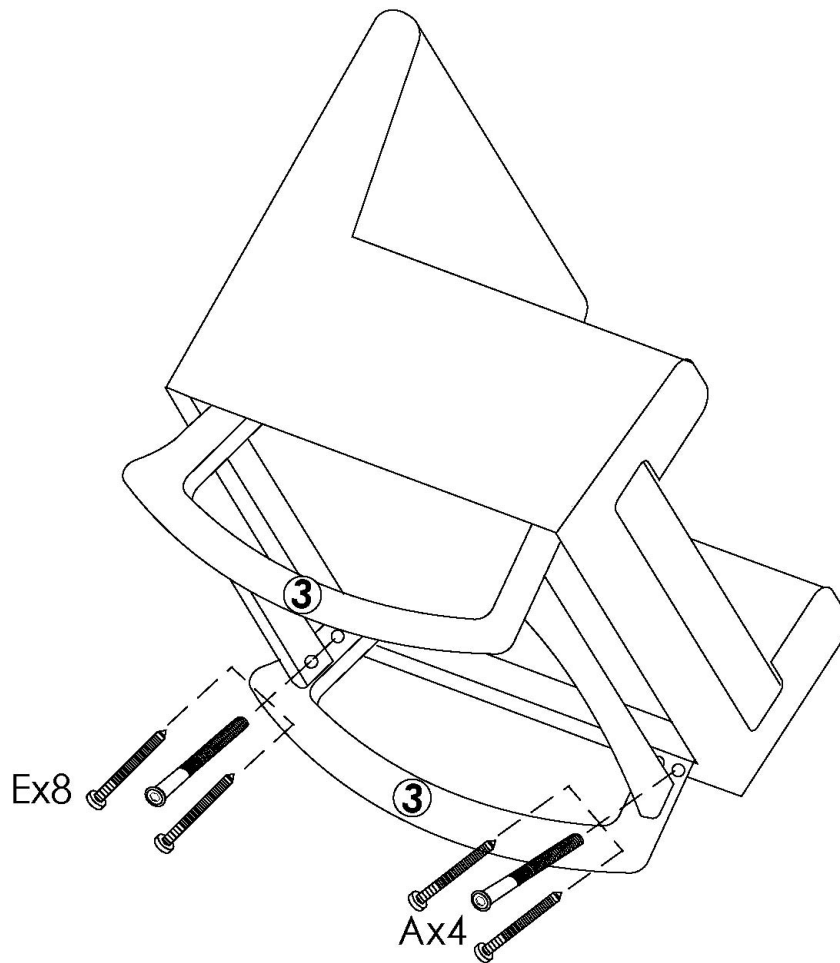
## Step 6

Put the Spring washer **D** into Screw **A** and then followed by washer **C**. Repeat the same procedures for all 4 Screws **A**.



## Rocking Chair Assembly Instructions

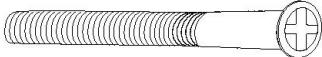



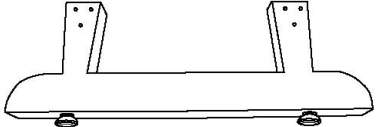
---



### Step 7

Connect the legs ③ to the wooden frame of the rocker by inserting screws **A** into the pre-inserted nuts of the wooden frame and screw them tightly using the wrench. Repeat the same procedures for 4 corners. Then insert 2 Screws **E** into the pre-drilled holes of the leg and screw it into the wooden frame tightly using a screw driver.

## Perch Hardware and Part List

Hardware & Tools	Ref.No	Description
	<b>Ax4</b>	<b>Screw</b>
	<b>Bx8</b>	<b>Screw</b>
	<b>Cx4</b>	<b>Washer</b>
	<b>Dx4</b>	<b>Spring Washer</b>
	<b>①x2</b>	<b>Leg</b>

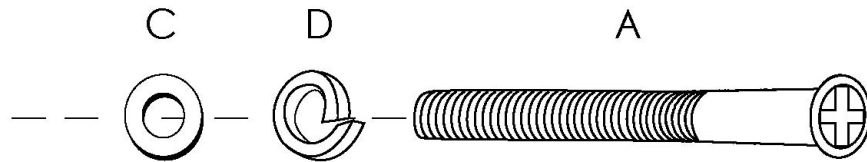
Please note that screw E requires a Phillips Head Screw driver which is not provided.

## Perch Assembly Instructions

---

### Step 1

Put the Spring washer **D** into Screw **A** and then followed by washer **C**. Repeat the same procedures for all 4 Screws **A**.



### Step 2

Connect the legs ① to the wooden frame of the rocker by inserting screws **A** into the pre-inserted nuts of the wooden frame and screw them tightly using the wrench. Repeat the same procedures for 4 corners. Then insert 2 Screws **B** into the pre-drilled holes of the leg and screw it into the wooden frame tightly using a screw driver.

