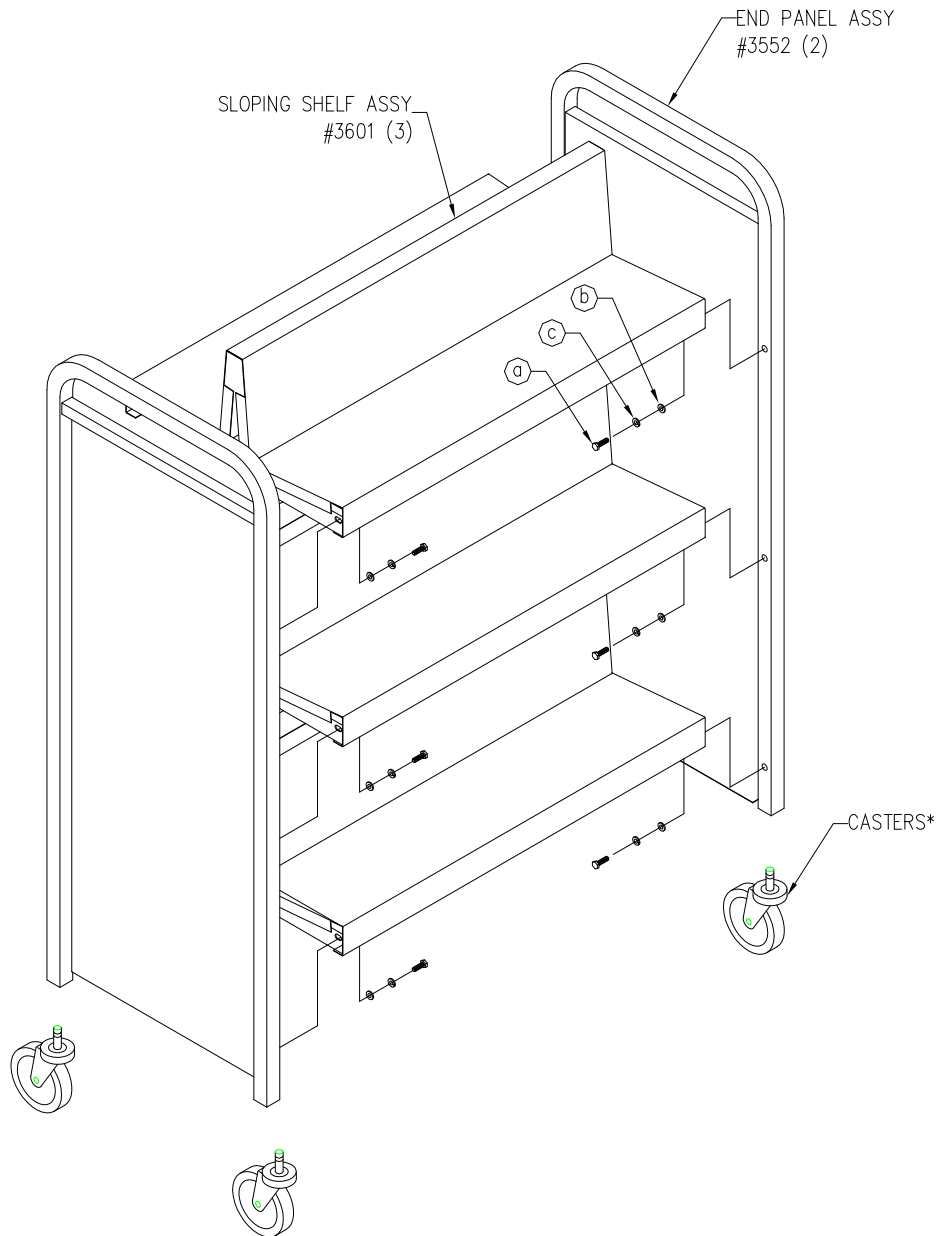


HH-100 (7038)

REVISION 11/03
INST. SHEET



2 PK END PANELS PACKAGE #3557

ITEM	DESCRIPTION	QTY	PN
1	END PANEL ASSEMBLY	2	3552
2	INSTRUCTION SHEET	1	E-230
3	NAMEPLATE	1	6092
4	PACKAGE SET	1	3562
a	BOLT, HEX, 1/4"-20 X 1 1/4	12	3585
b	WASHER, FLAT	12	8778
c	WASHER, LOCK 1/4" I.D. SPLIT	12	46307

2 PK SLOPING SHELF PACKAGE #3558

ITEM	DESCRIPTION	QTY	PN
1	SLOPING SHELF ASSEMBLY	2	3601

1 PK SLOPING SHELF PACKAGE #3559

ITEM	DESCRIPTION	QTY	PN
1	SLOPING SHELF ASSEMBLY	1	3601

* 4" CASTER PACK 5625 (STANDARD)

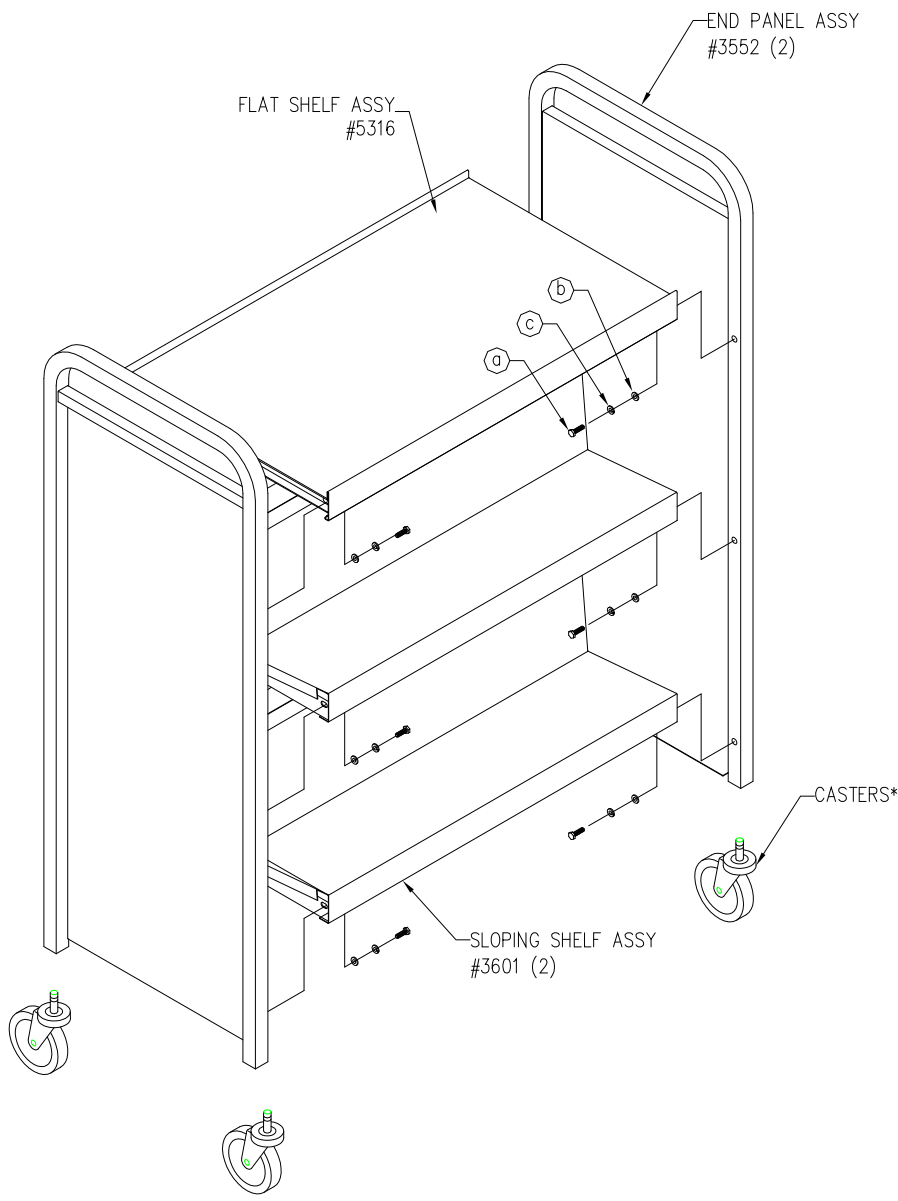
ITEM	DESCRIPTION	QTY	PN
1	4" CASTER, SWIVEL	2	4753
2	4" CASTER, SWIVEL W/ BRAKE	2	4754
3	PACKAGE SET (ORINGS, 8 EA.)	1	9939

* 5" CASTER PACK 5975 (OPTIONAL)

ITEM	DESCRIPTION	QTY	PN
1	5" CASTER, SWIVEL	2	5973
2	5" CASTER, SWIVEL W/ BRAKE	2	5974
3	PACKAGE SET (ORINGS, 8 EA.)	1	9939

HH-101 (7039)

REVISION:
INST. SHEET



2 PK END PANELS PACKAGE #3557

ITEM	DESCRIPTION	QTY	PN
1	END PANEL ASSEMBLY	2	3552
2	INSTRUCTION SHEET	1	E-230
3	NAMEPLATE	1	6092
4	PACKAGE SET	1	3562
a	BOLT, HEX, 1/4"-20 X 1 1/4	12	3585
b	WASHER, FLAT	12	8778
c	WASHER, LOCK 1/4" I.D. SPLIT	12	46307

2 PK SLOPING SHELF PACKAGE #3558

ITEM	DESCRIPTION	QTY	PN
1	SLOPING SHELF ASSEMBLY	2	3601

1 PK FLAT SHELF PACKAGE #5603

ITEM	DESCRIPTION	QTY	PN
1	FLAT SHELF ASSEMBLY	1	5316

* 4" CASTER PACK 5625 (STANDARD)

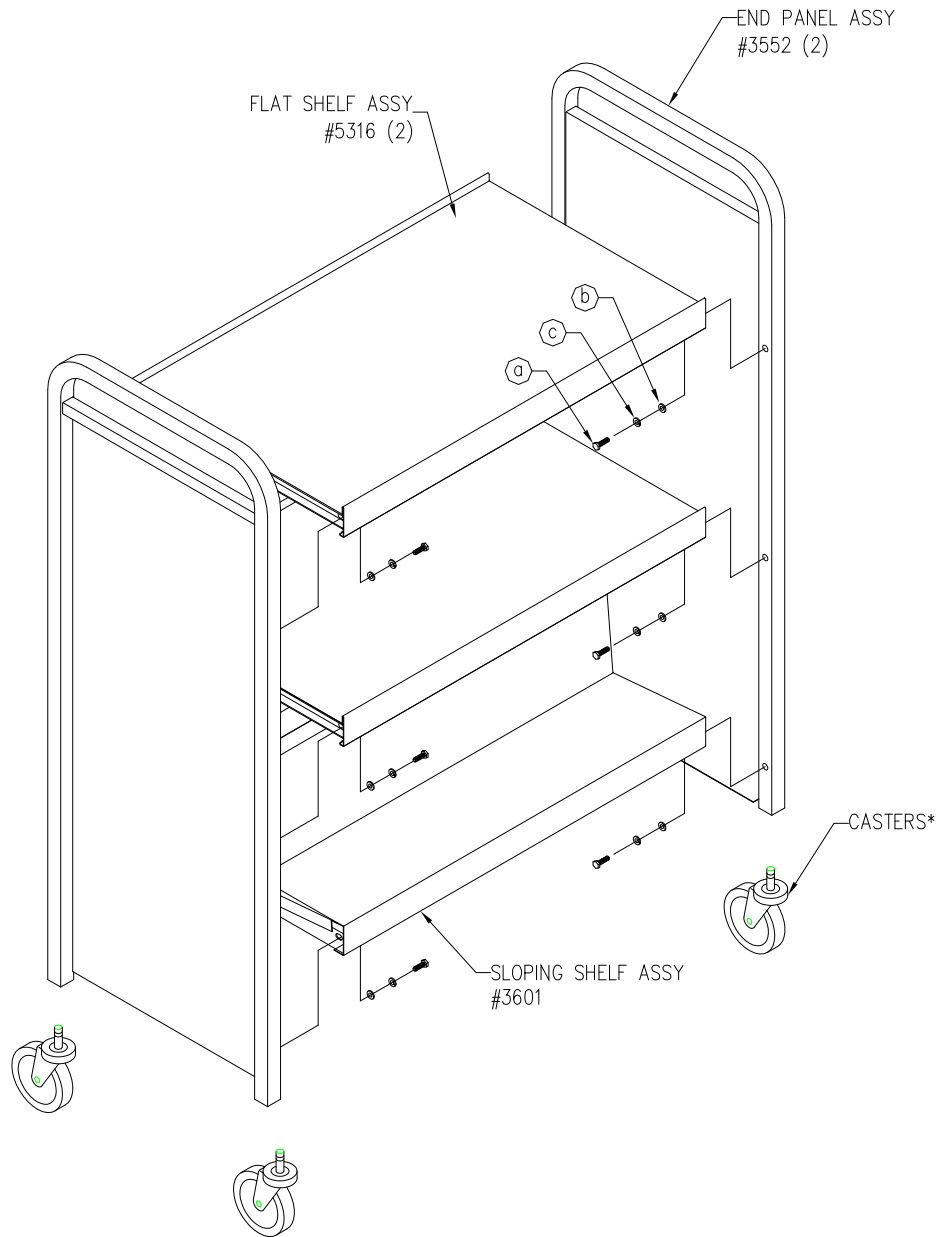
ITEM	DESCRIPTION	QTY	PN
1	4" CASTER, SWIVEL	2	4753
2	4" CASTER, SWIVEL W/ BRAKE	2	4754
3	PACKAGE SET (ORINGS, 8 EA.)	1	9939

* 5" CASTER PACK 5975 (OPTIONAL)

ITEM	DESCRIPTION	QTY	PN
1	5" CASTER, SWIVEL	2	5973
2	5" CASTER, SWIVEL W/ BRAKE	2	5974
3	PACKAGE SET (ORINGS, 8 EA.)	1	9939

HH-102 (7040)

REVISION:
INST. SHEET



2 PK END PANELS PACKAGE #3557

ITEM	DESCRIPTION	QTY	PN
1	END PANEL ASSEMBLY	2	3552
2	INSTRUCTION SHEET	1	E-230
3	NAMEPLATE	1	6092
4	PACKAGE SET	1	3562
a	BOLT, HEX, 1/4"-20 X 1 1/4	12	3585
b	WASHER, FLAT	12	8778
c	WASHER, LOCK 1/4" I.D. SPLIT	12	46307

1 PK SLOPING SHELF PACKAGE #3559

ITEM	DESCRIPTION	QTY	PN
1	SLOPING SHELF ASSEMBLY	1	3601

2 PKS FLAT SHELF PACKAGE #5603

ITEM	DESCRIPTION	QTY	PN
1	FLAT SHELF ASSEMBLY	1	5316

* 4" CASTER PACK 5625 (STANDARD)

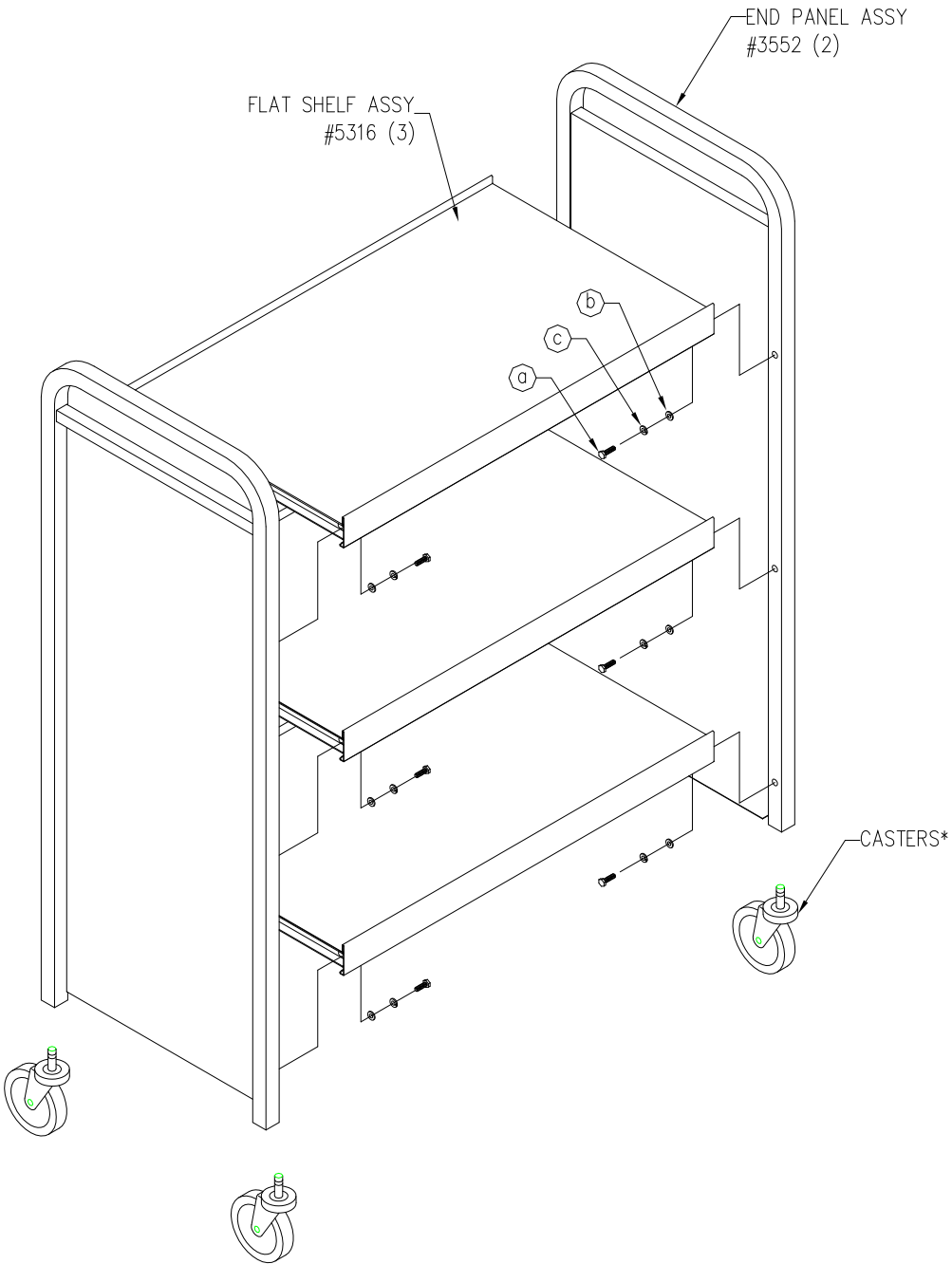
ITEM	DESCRIPTION	QTY	PN
1	4" CASTER, SWIVEL	2	4753
2	4" CASTER, SWIVEL W/ BRAKE	2	4754
3	PACKAGE SET (ORINGS, 8 EA.)	1	9939

* 5" CASTER PACK 5975 (OPTIONAL)

ITEM	DESCRIPTION	QTY	PN
1	5" CASTER, SWIVEL	2	5973
2	5" CASTER, SWIVEL W/ BRAKE	2	5974
3	PACKAGE SET (ORINGS, 8 EA.)	1	9939

HH-103 (7041)

REVISION:
INST. SHEET



2 PK END PANELS PACKAGE #3557

ITEM	DESCRIPTION	QTY	PN
1	END PANEL ASSEMBLY	2	3552
2	INSTRUCTION SHEET	1	E-230
3	NAMEPLATE	1	6092
4	PACKAGE SET	1	3562
	a BOLT, HEX, 1/4"-20 X 1 1/4	12	3585
	b WASHER, FLAT	12	8778
	c WASHER, LOCK 1/4" I.D. SPLIT	12	46307

3 PKS FLAT SHELF PACKAGE #5603

ITEM	DESCRIPTION	QTY	PN
1	SLOPING SHELF ASSEMBLY	1	5316

* 4" CASTER PACK 5625 (STANDARD)

ITEM	DESCRIPTION	QTY	PN
1	4" CASTER, SWIVEL	2	4753
2	4" CASTER, SWIVEL W/ BRAKE	2	4754
3	PACKAGE SET (ORINGS, 8 EA.)	1	9939

* 5" CASTER PACK 5975 (OPTIONAL)

ITEM	DESCRIPTION	QTY	PN
1	5" CASTER, SWIVEL	2	5973
2	5" CASTER, SWIVEL W/ BRAKE	2	5974
3	PACKAGE SET (ORINGS, 8 EA.)	1	9939