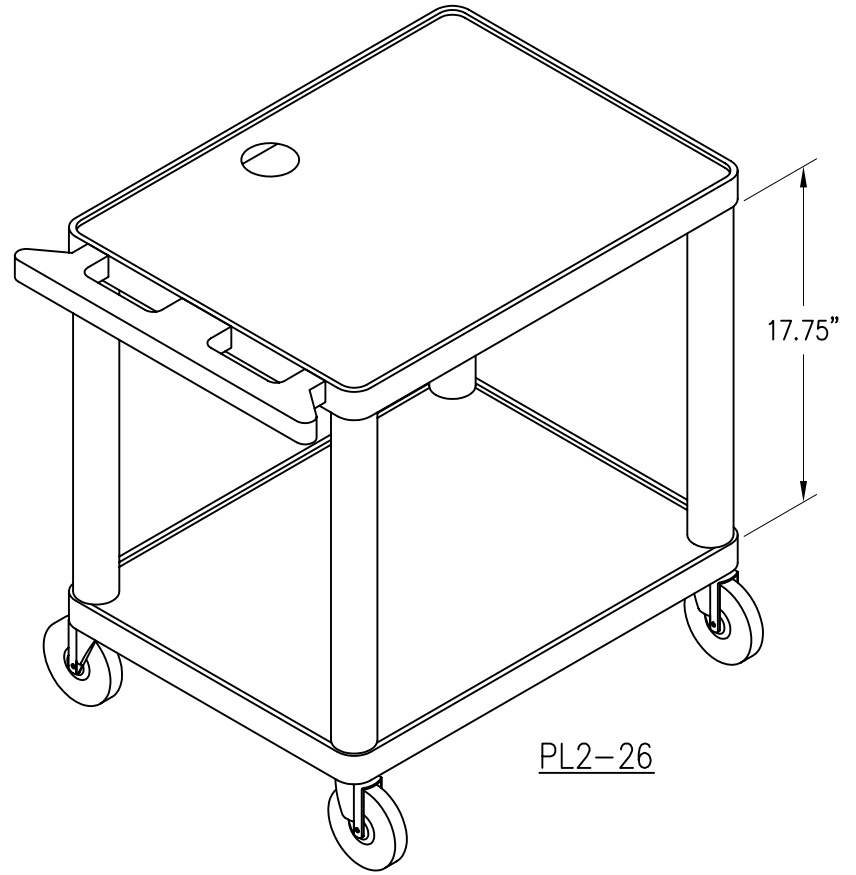
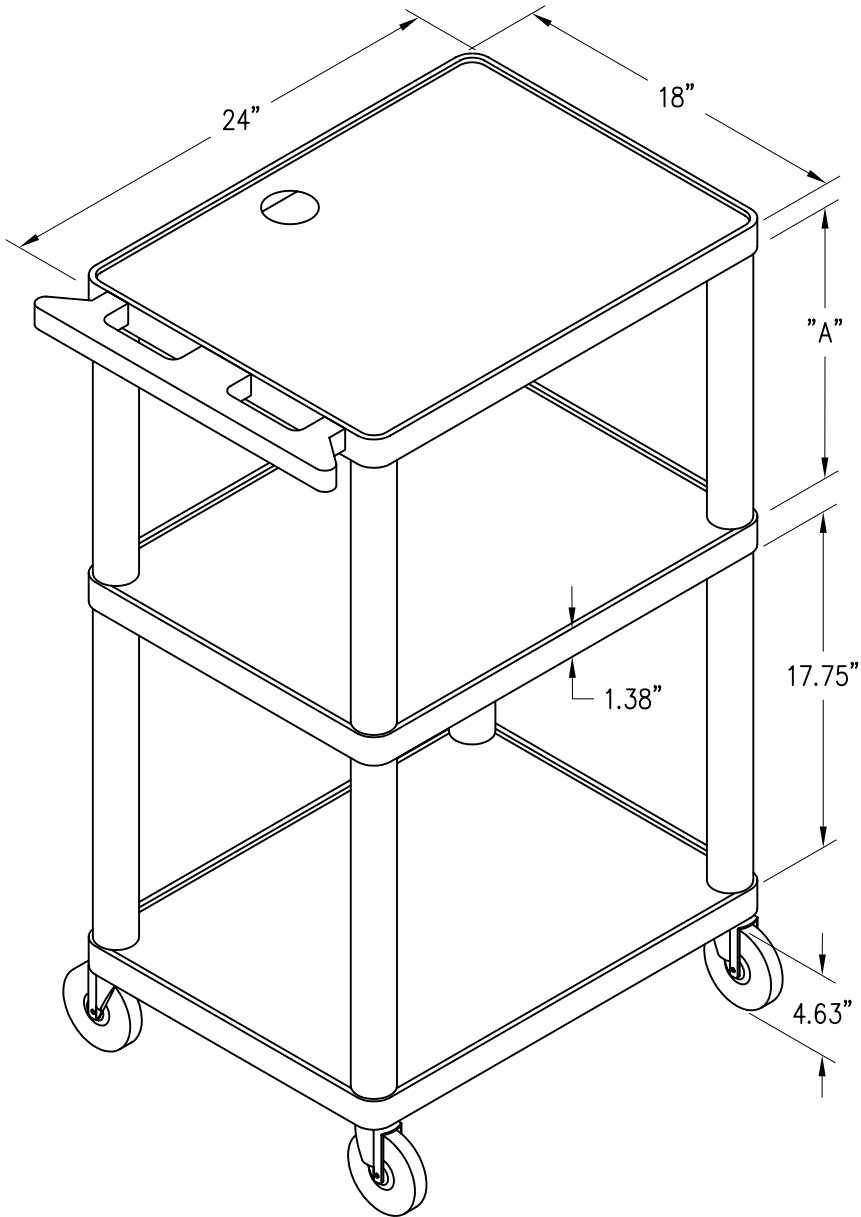


# PL2 Plastic Carts

THE  
**Advance**  
**PRODUCTS COMPANY**  
 1199 E. Central, Wichita, KS 67214-3922 Ph: (316) 263-4231

THIS DRAWING IS THE PROPERTY OF THE ADVANCE  
 PRODUCTS COMPANY AND IS NOT TO BE REPRODUCED  
 OR USED TO FURNISH INFORMATION FOR MAKING  
 DRAWINGS EXCEPT WHERE PROVIDED BY AGREEMENT  
 WITH SAID COMPANY.



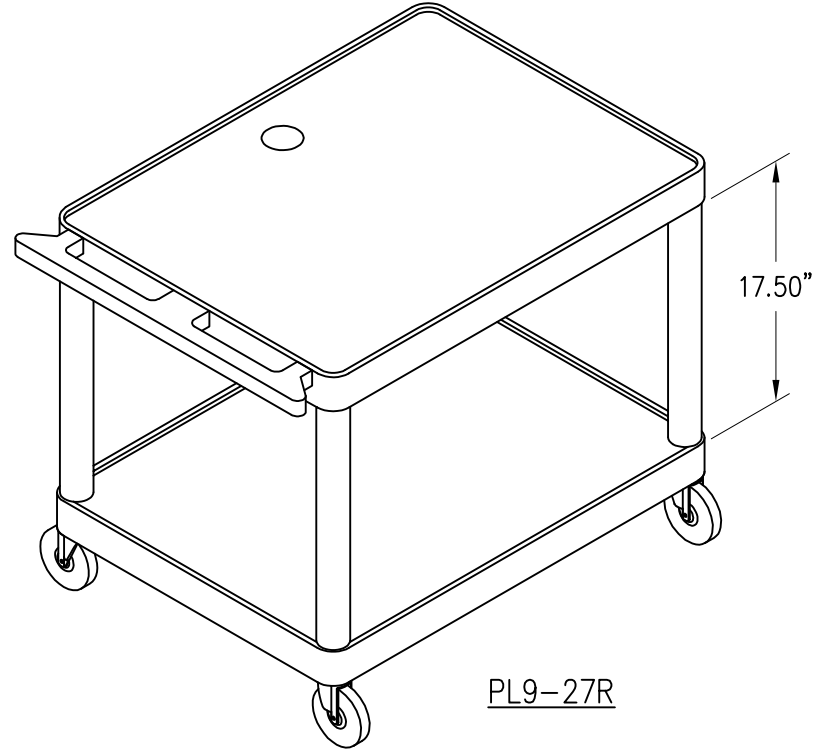
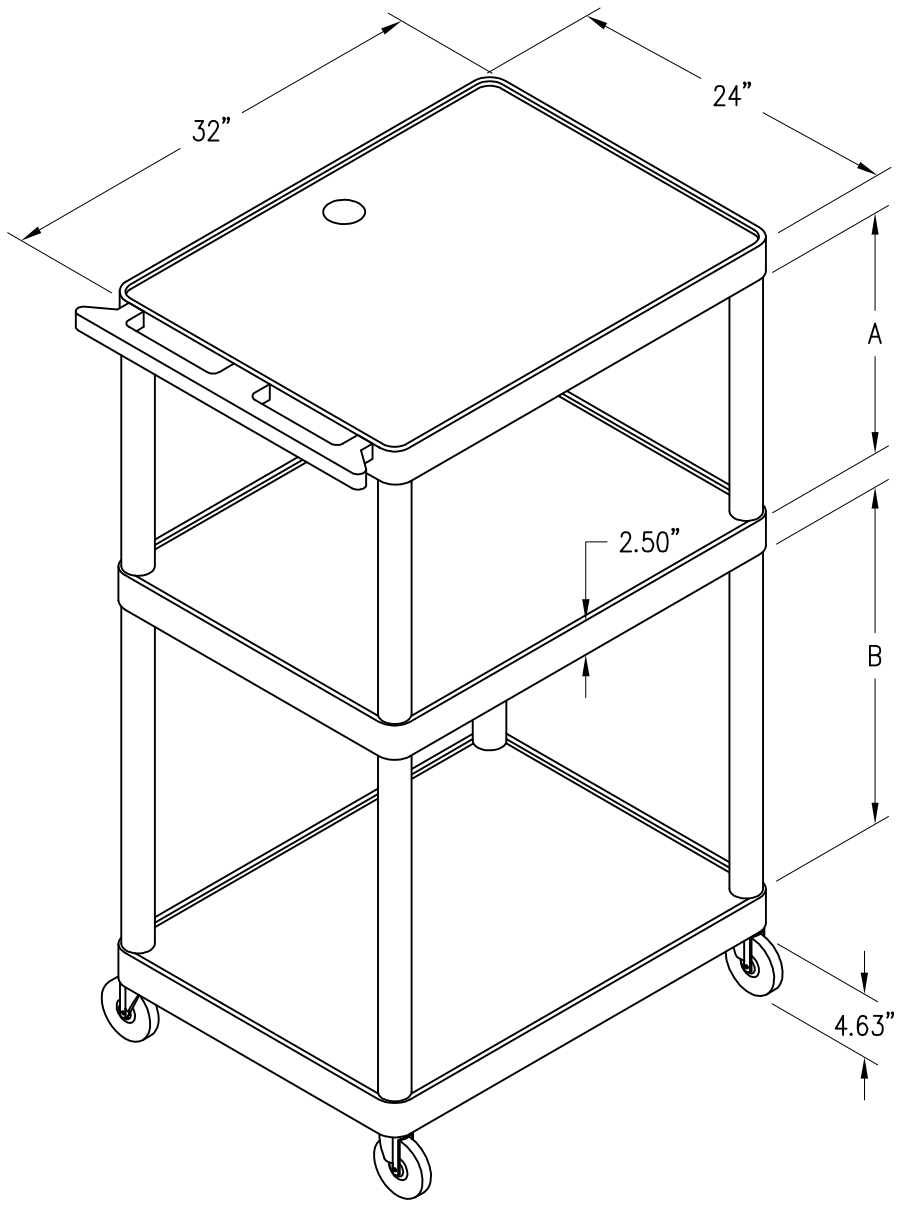
PL2-26

MODEL	SHELF CLEARANCE
	A
PL2-34	6.25"
PL2-42	14.25"

# PL9 Plastic Carts

THE  
**Advance**  
**PRODUCTS COMPANY**  
 1199 E. Central, Wichita, KS 67214-3922 Ph: (316) 263-4231

THIS DRAWING IS THE PROPERTY OF THE ADVANCE  
 PRODUCTS COMPANY AND IS NOT TO BE REPRODUCED  
 OR USED TO FURNISH INFORMATION FOR MAKING  
 DRAWINGS EXCEPT WHERE PROVIDED BY AGREEMENT  
 WITH SAID COMPANY.



PL9-27R

MODEL	SHELF CLEARANCE	
	A	B
PL9-40R	11.00"	17.50"
PL9-48R	17.50"	19.00"
PL9-54R	17.50"	25.00"
PL9-DUOR	11.00" OR 17.50"	17.50" OR 25.00"